

This drawing is the copyright of Andrew Waring Associates it may not be copied, altered or reproduced in any way without their written authority.
Dimensions must be checked on site and not scaled from this drawing.

GENERAL NOTES

1. This drawing is to be read in conjunction with all relevant Architects, Engineers, Specialist Sub-Contractors drawings and the specification.
2. All setting out to be in accordance with the Architects drawings and any discrepancies between the Engineers and Architects drawings to be referred to the Architect before proceeding. Dimensions MUST NOT be scaled.
3. All work is to comply with current requirements of the Building Regulations & allied legislation whether referred to or not.
4. All materials should be used in compliance with the appropriate manufacturers recommendations.
5. The Contractor & Sub-Contractors must ensure that they have the latest issued drawings and details before commencing the relevant work.
6. Main Contractor to provide and fit suitable bracing and propping for all elements in the temporary condition during the construction stage, such as to ensure structural stability at all times.

FOR DRAINAGE NOTES SEE AWA DRAWING I 0545-D2

PI	31.07.20	Issued for approval/comment	D5
Rev.	Date	Revisions	Chk.

ANDREW WARING ASSOCIATES
Consulting Civil and Structural Engineers
The Old Brewery House, Portersbridge Street, Romsey, Hants, SO51 8DU
Tel: 01794 524447 Fax: 01794 515353
e-mail: mail@awaromsey.co.uk web: www.awaromsey.co.uk

Architect:
TFH REEVE

Client:
MR & MRS BOUILLEAU

Job Title:
WRAXALL MANOR, HIGHER WRAXALL, DORCHESTER

Drawing Title:
SITE DRAINAGE PLAN AND DETAILS

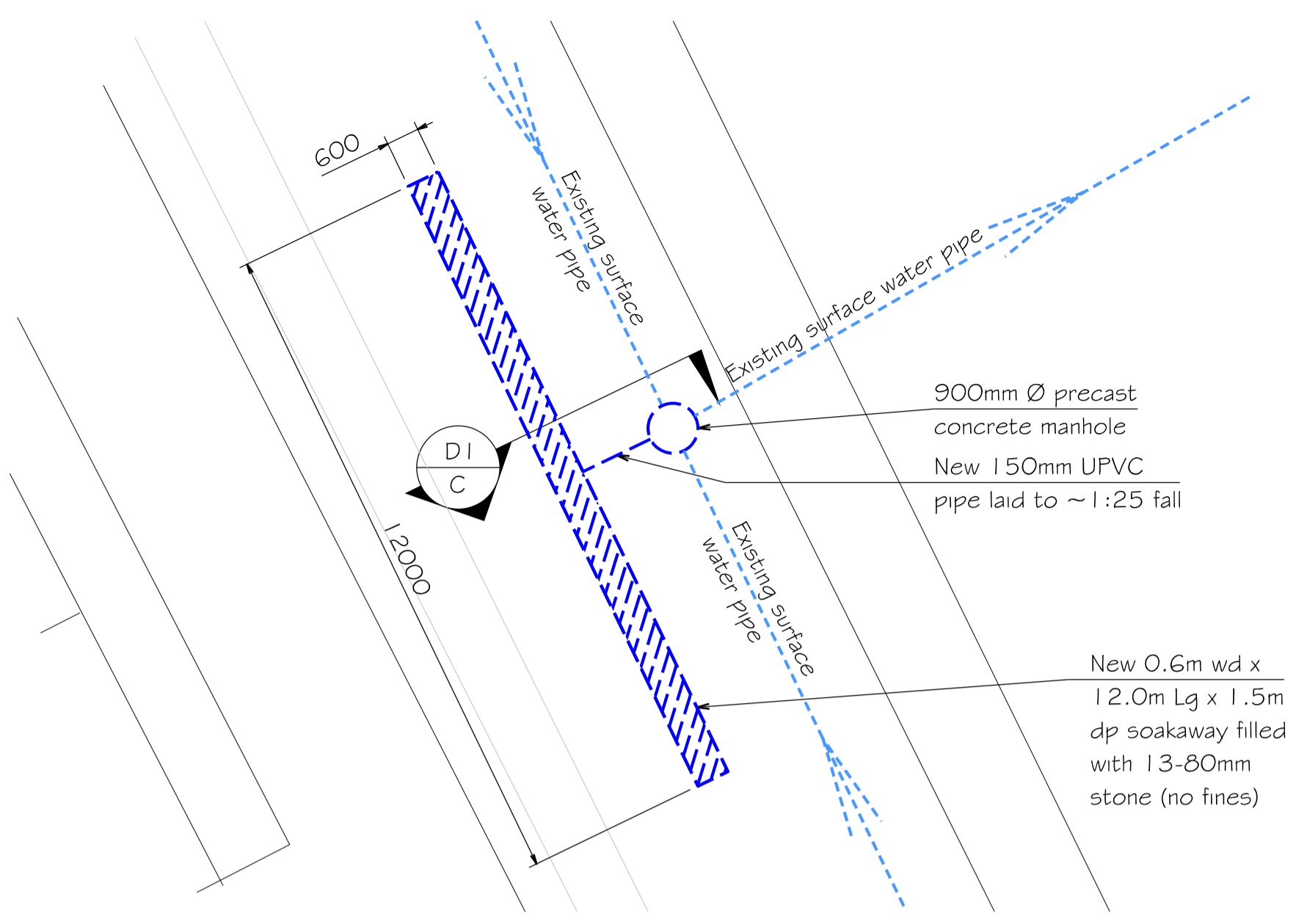
Scale:
PRELIMINARY

Date: July 2020
Drawn by: SH
Checked: D5

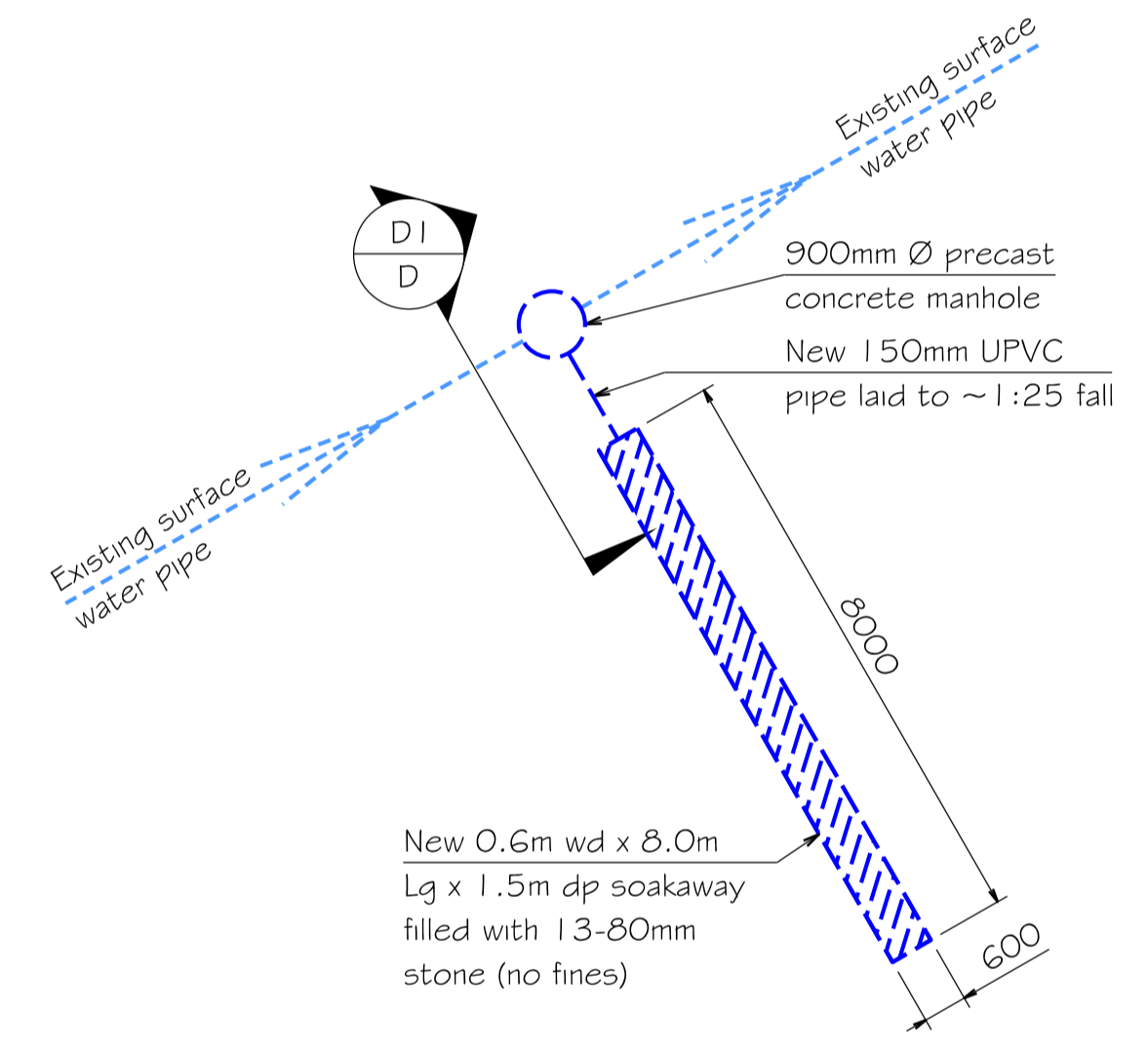
Orig. No. **I 0545-D1**
Rev. **PI**

NOTE: ALL SETTING-OUT INCLUDING ANY LEVELS AND DIMENSIONS INDICATED BY ANDREW WARING ASSOCIATES IS FOR INFORMATION ONLY AND SHOULD BE CONFIRMED BY THE ARCHITECT. IT IS THE MAIN CONTRACTORS RESPONSIBILITY TO COORDINATE AND CONFIRM ALL SETTING-OUT REQUIREMENTS ON SITE PRIOR TO COMMENCEMENT OF WORKS.

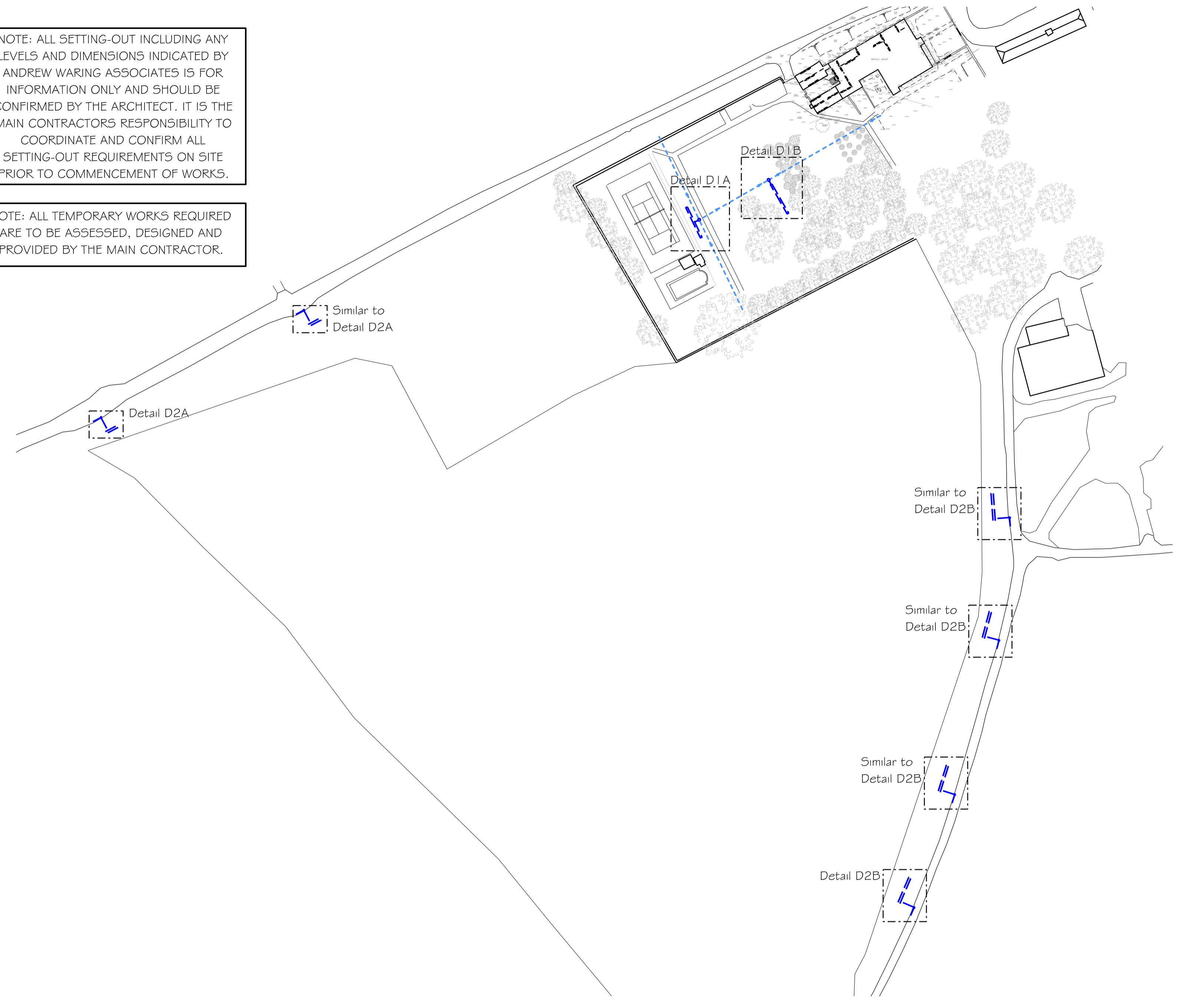
NOTE: ALL TEMPORARY WORKS REQUIRED ARE TO BE ASSESSED, DESIGNED AND PROVIDED BY THE MAIN CONTRACTOR.



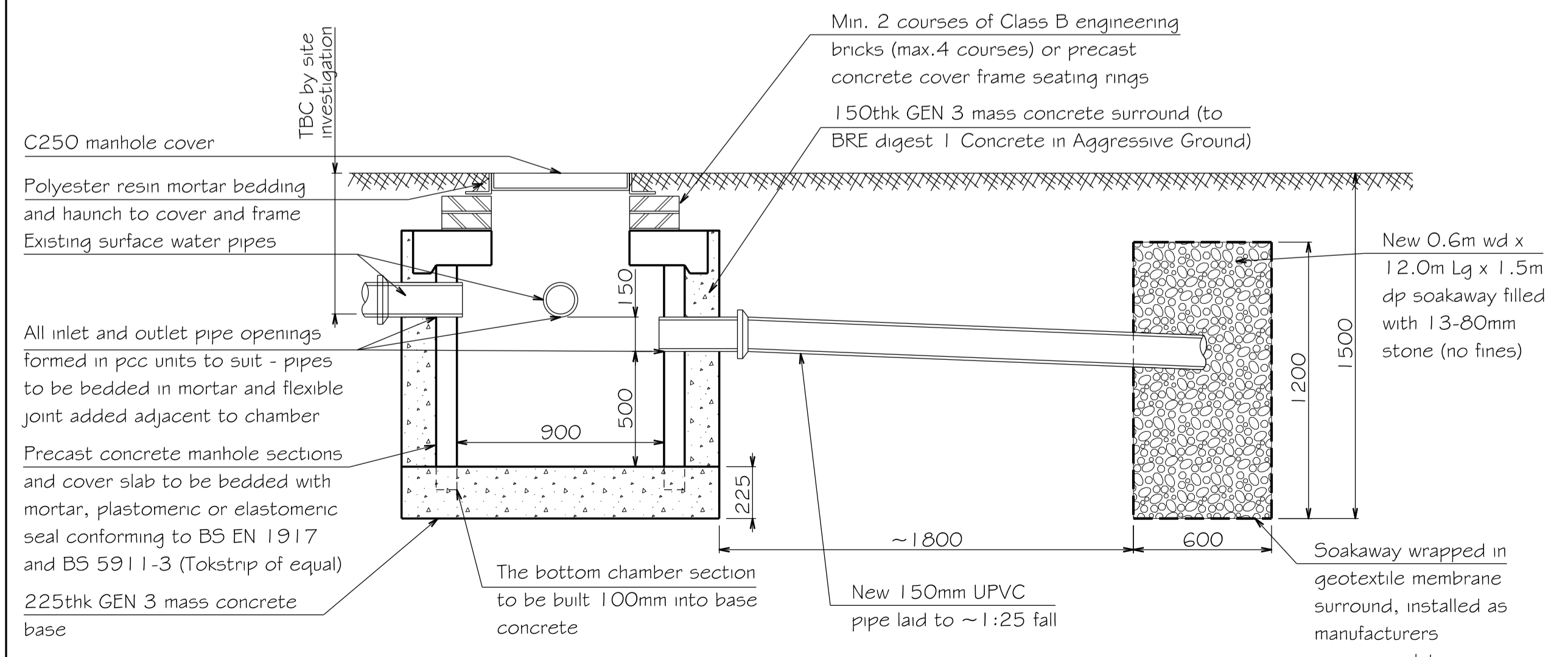
DETAIL D1 A
1 : 100



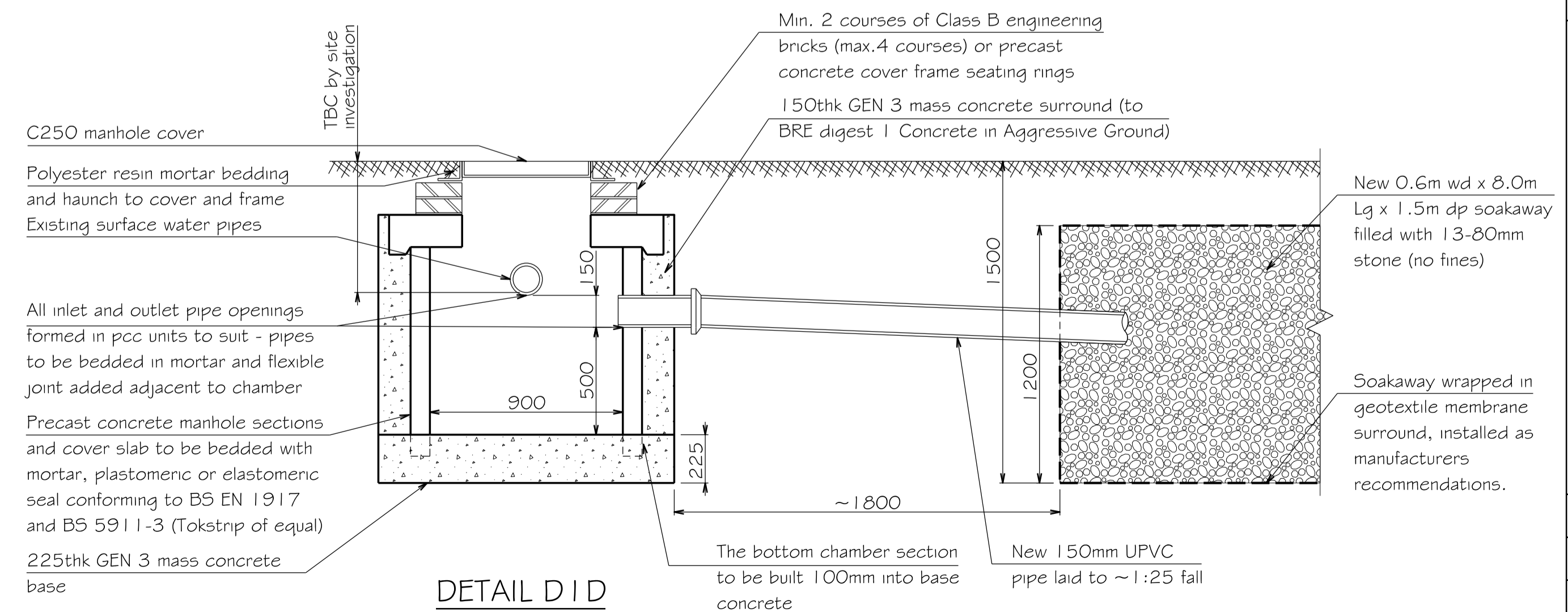
DETAIL D1 B
1 : 100



SITE DRAINAGE PLAN
1 : 1000



DETAIL D1 C
1 : 20



DETAIL D1 D
1 : 20