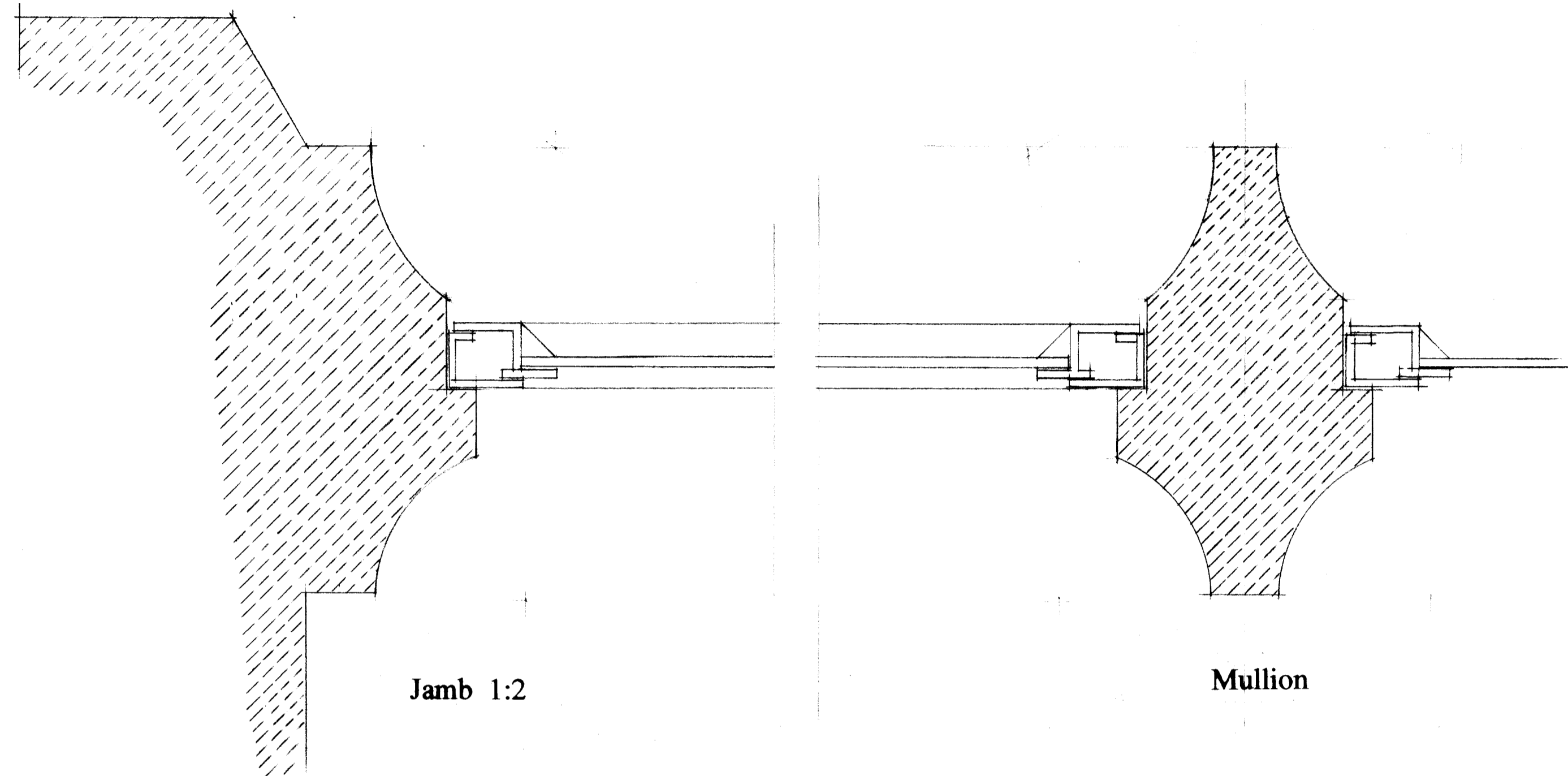


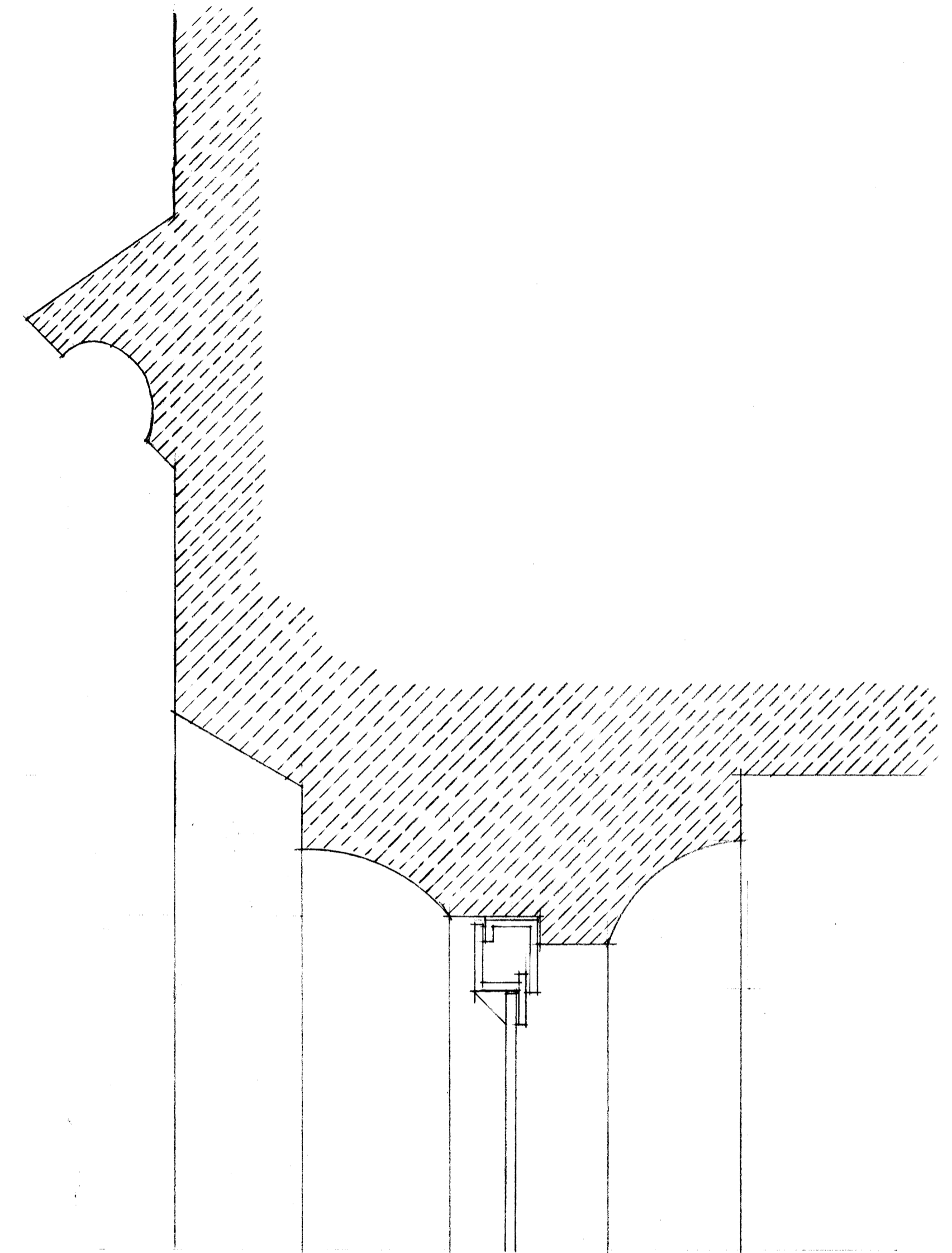
Scale 1:2 @ A1



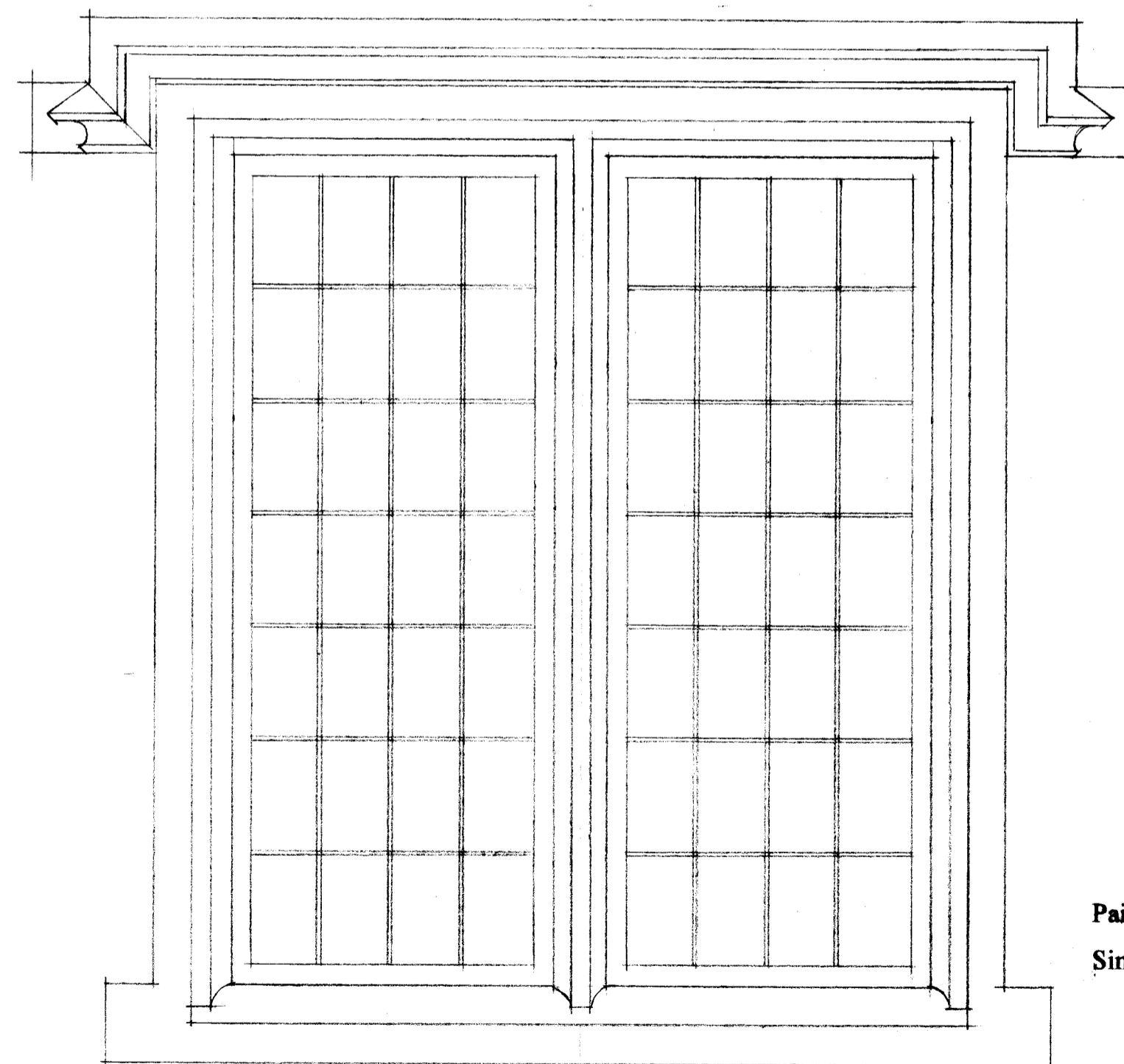
Jamb 1:2

Mullion

Label mould 1:2

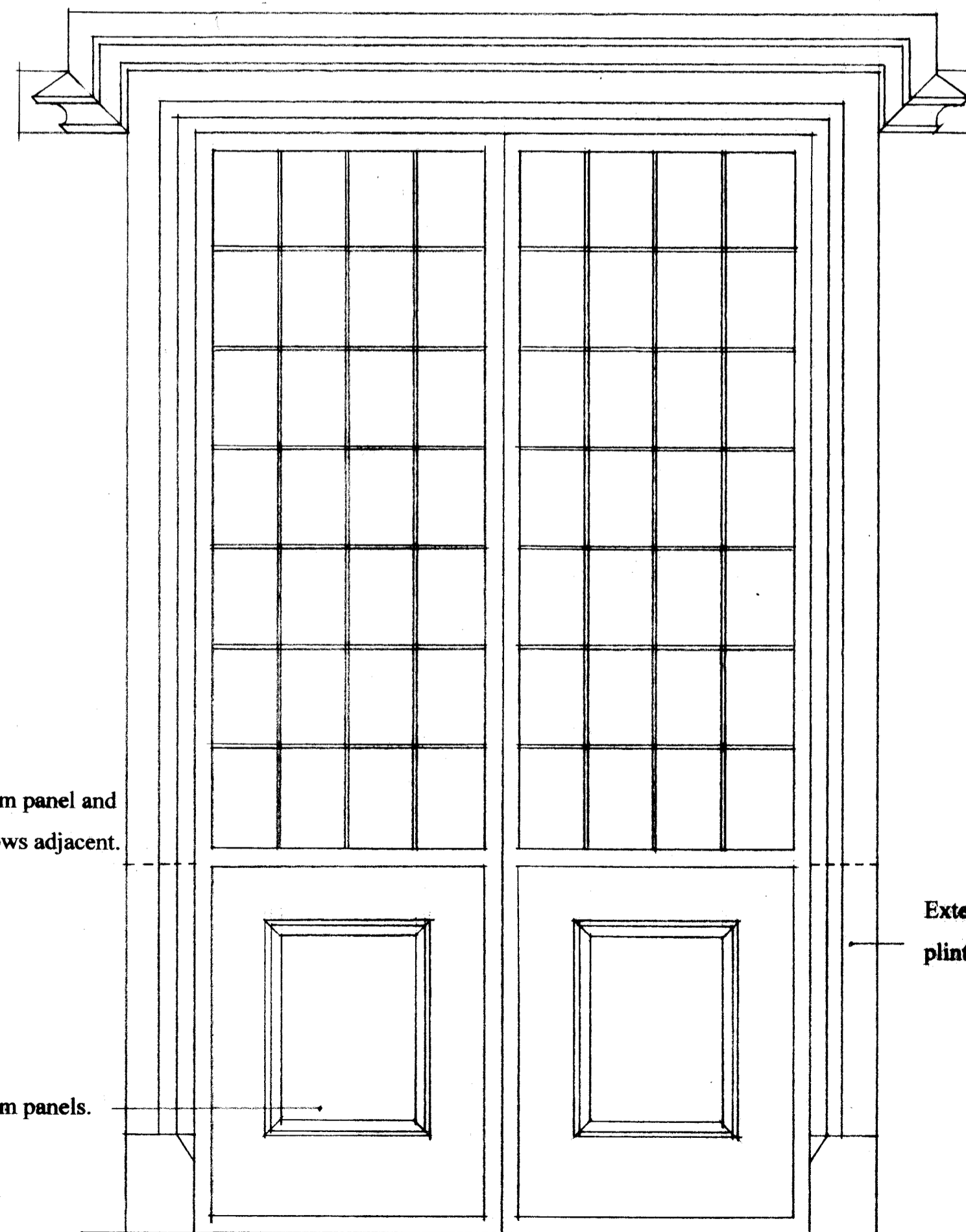


Head detail



Existing window elevation 1:10

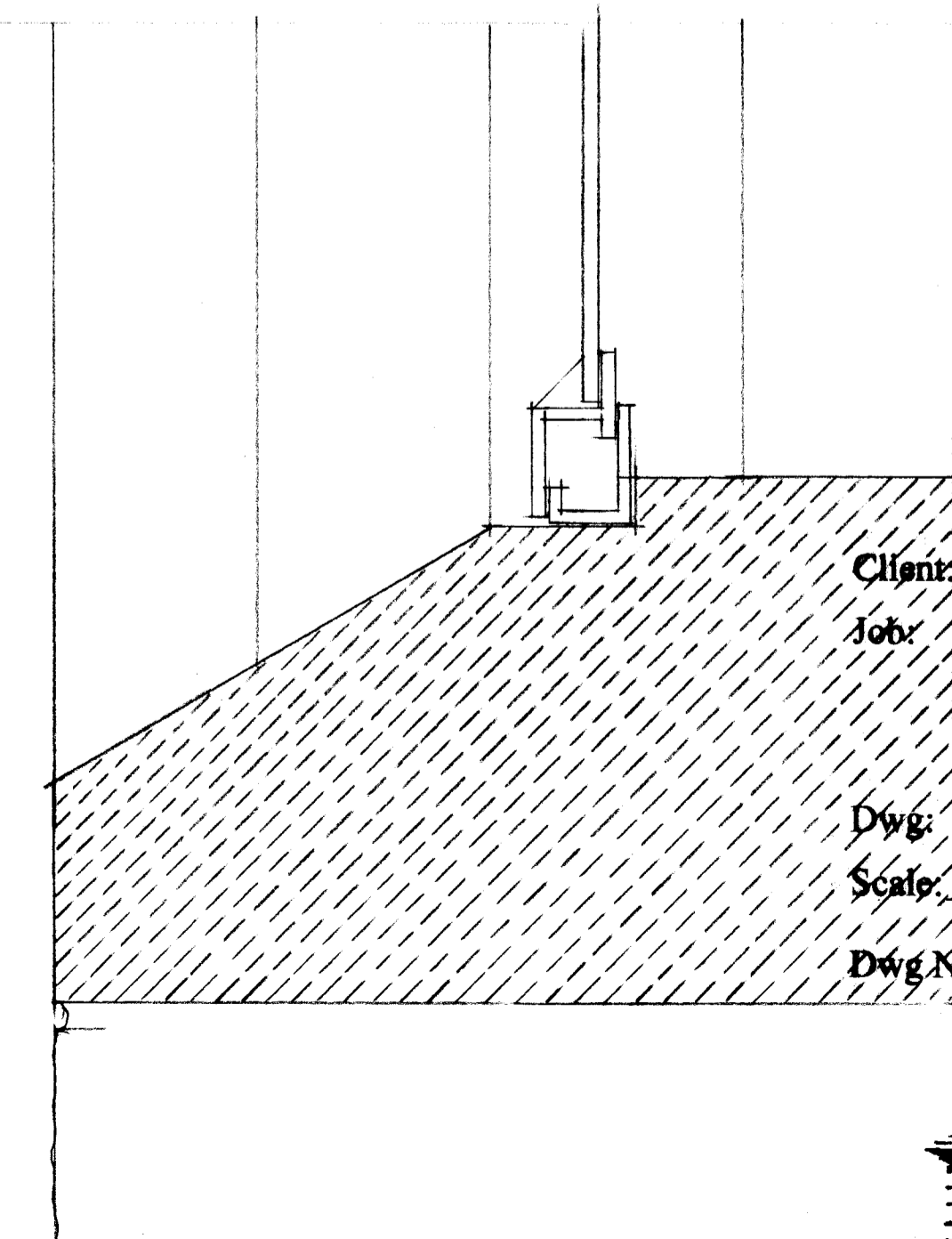
Painted metal framed door with timber bottom panel and
 Single glazed leaded glazing to match windows adjacent.



Moulded timber bottom panels.

Extend stone surround with
 plinth blocks at base

Cill detail 1:2



Client: Mr&Mrs R Boileau
 Job: Wraxall Manor
 Higher Wraxall
 Dorset
 Dwg: New kitchen double door details (07)
 Scale: 1:10 1:2 Date: Oct 2020
 Dwg.No. 1317/06



Scale 1:10 @ A1

Proposed double door elevation 1:10