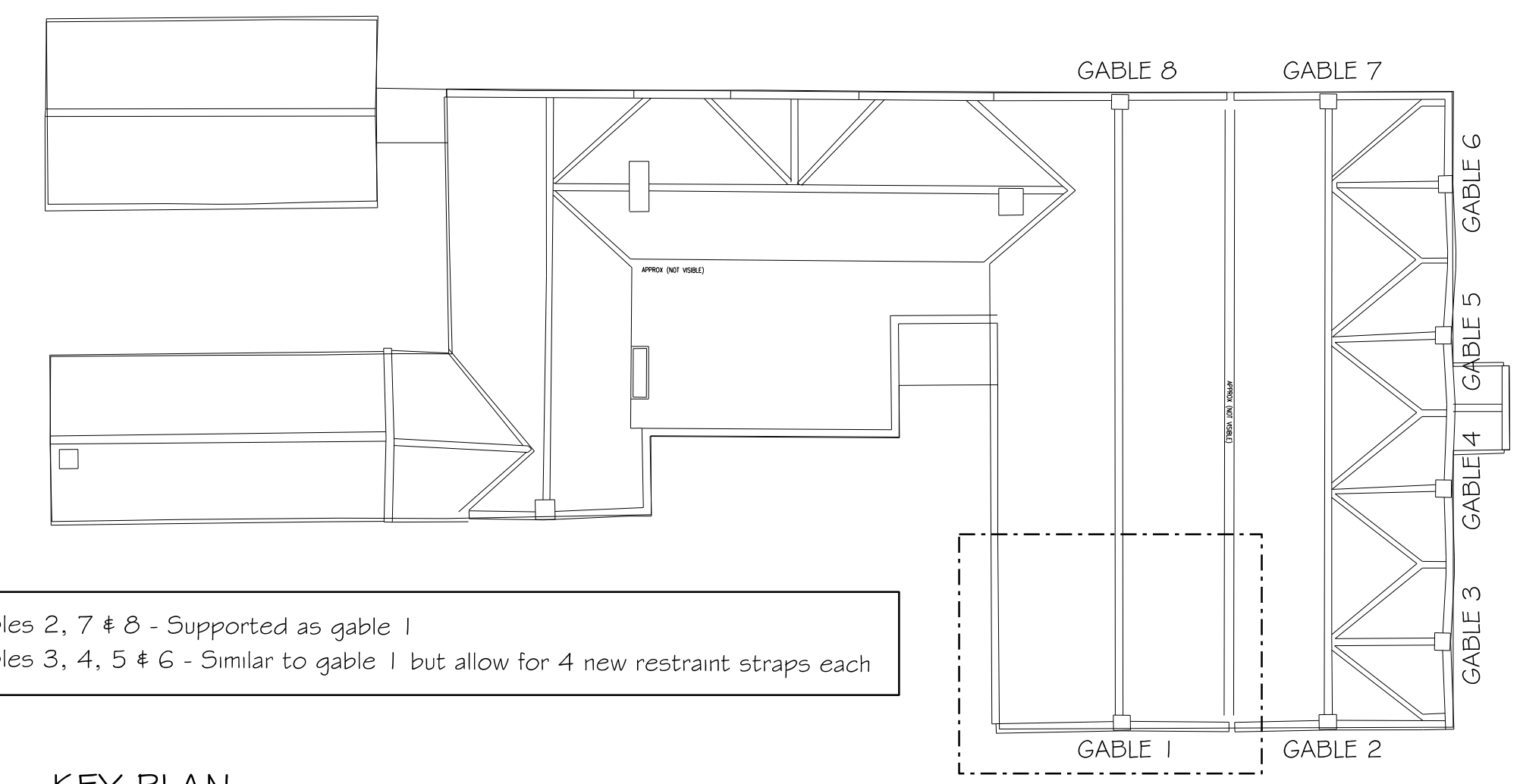


This drawing is the copyright of Andrew Waring Associates it may not be copied, altered or reproduced in any way without their written authority.
Dimensions must be checked on site and not scaled from this drawing.

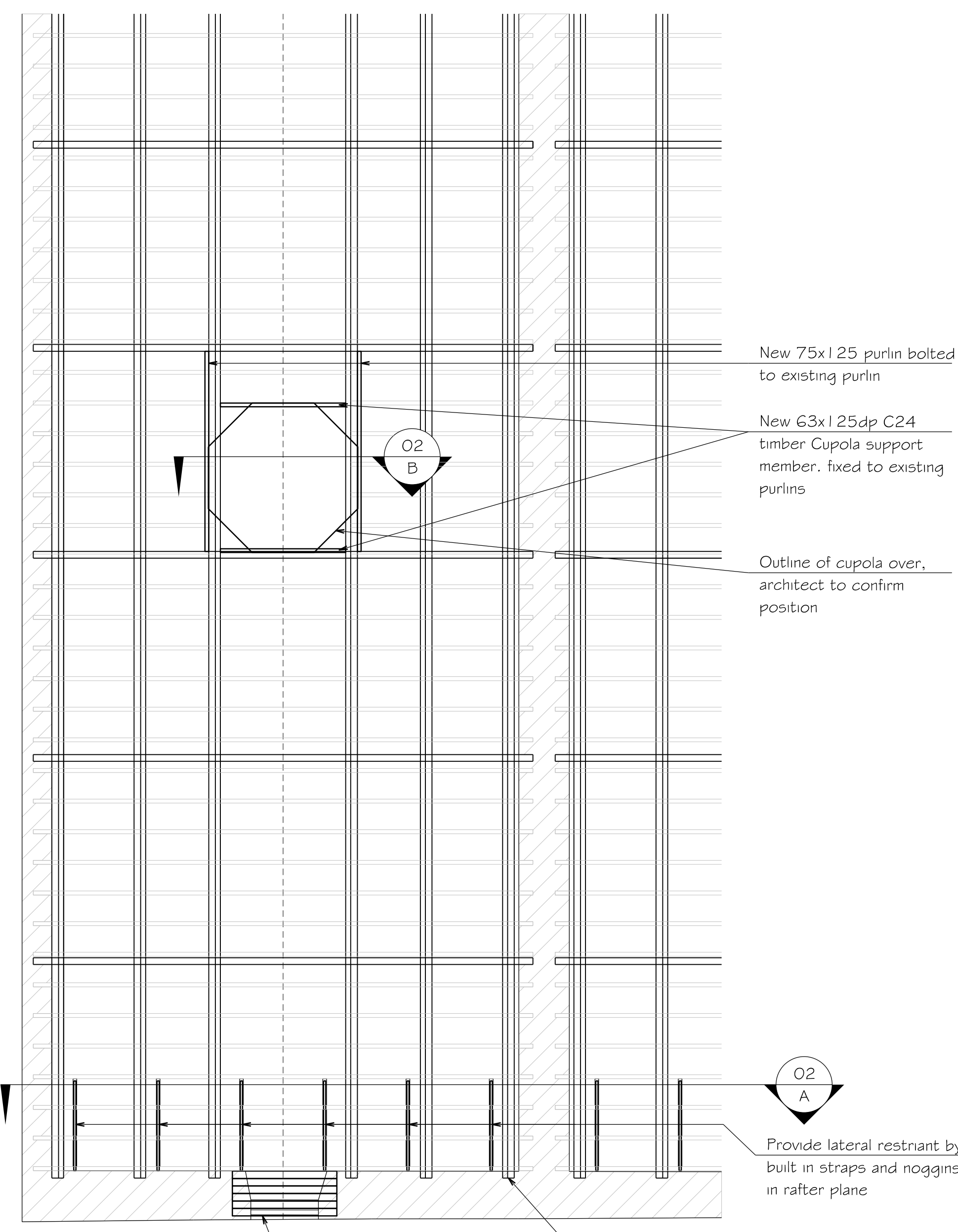
GENERAL NOTES

1. This drawing is to be read in conjunction with all relevant Architects, Engineers, Specialist Sub-Contractors drawings and the specification.
2. All setting out to be in accordance with the Architects drawings and any discrepancies between the Engineers and Architects drawings to be referred to the Architect before proceeding. Dimensions MUST NOT be scaled.
3. All work is to comply with current requirements of the Building Regulations & allied legislation whether referred to or not.
4. All materials should be used in compliance with the appropriate manufacturers recommendations.
5. The Contractor & Sub-Contractors must ensure that they have the latest issued drawings and details before commencing the relevant work.
6. Main Contractor to provide and fit suitable bracing and propping for all elements in the temporary condition during the construction stage, such as to ensure structural stability at all times.



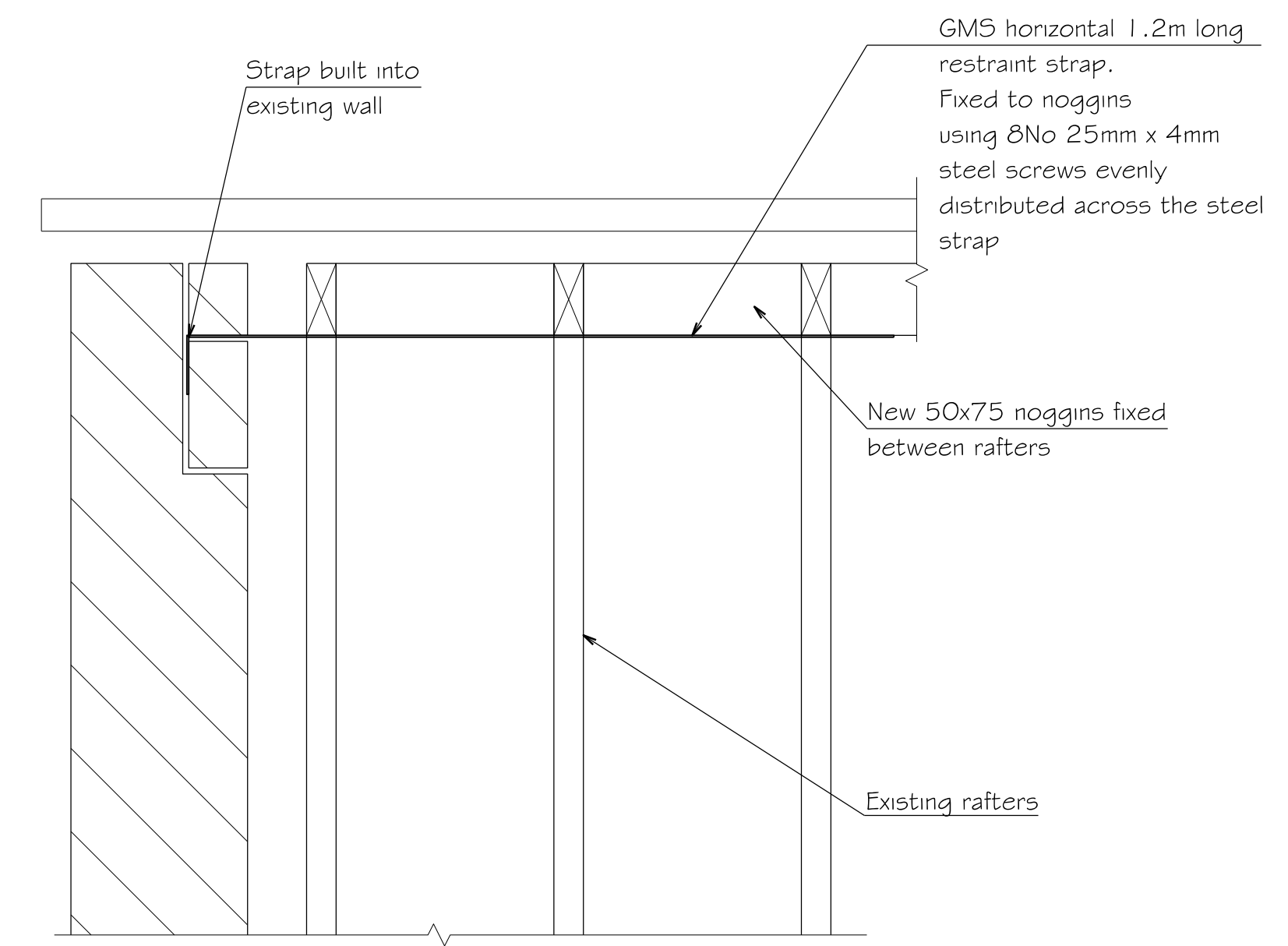
Gables 2, 7 & 8 - Supported as gable 1
Gables 3, 4, 5 & 6 - Similar to gable 1 but allow for 4 new restraint straps each

KEY PLAN
N.T.S

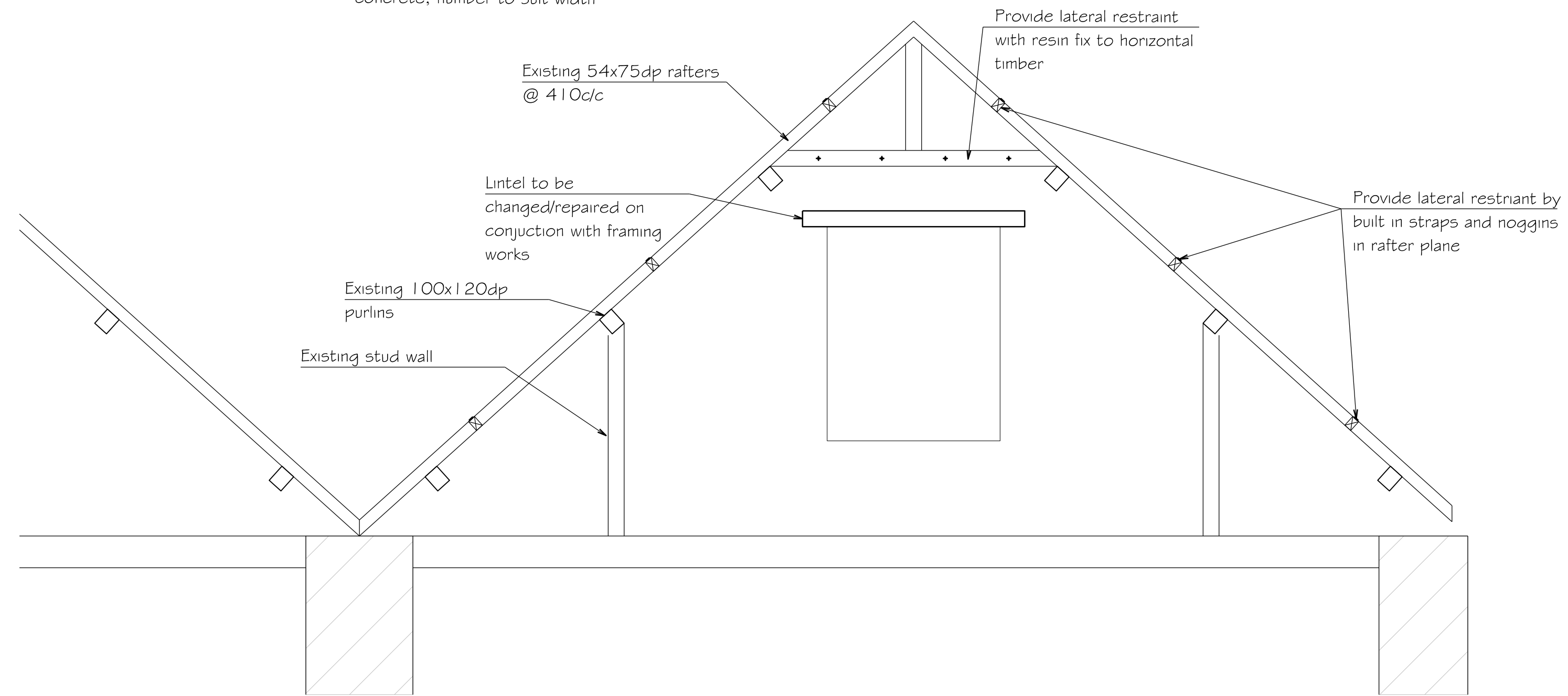


GABLE 1 ROOF PLAN
Scale 1:50 @ A1

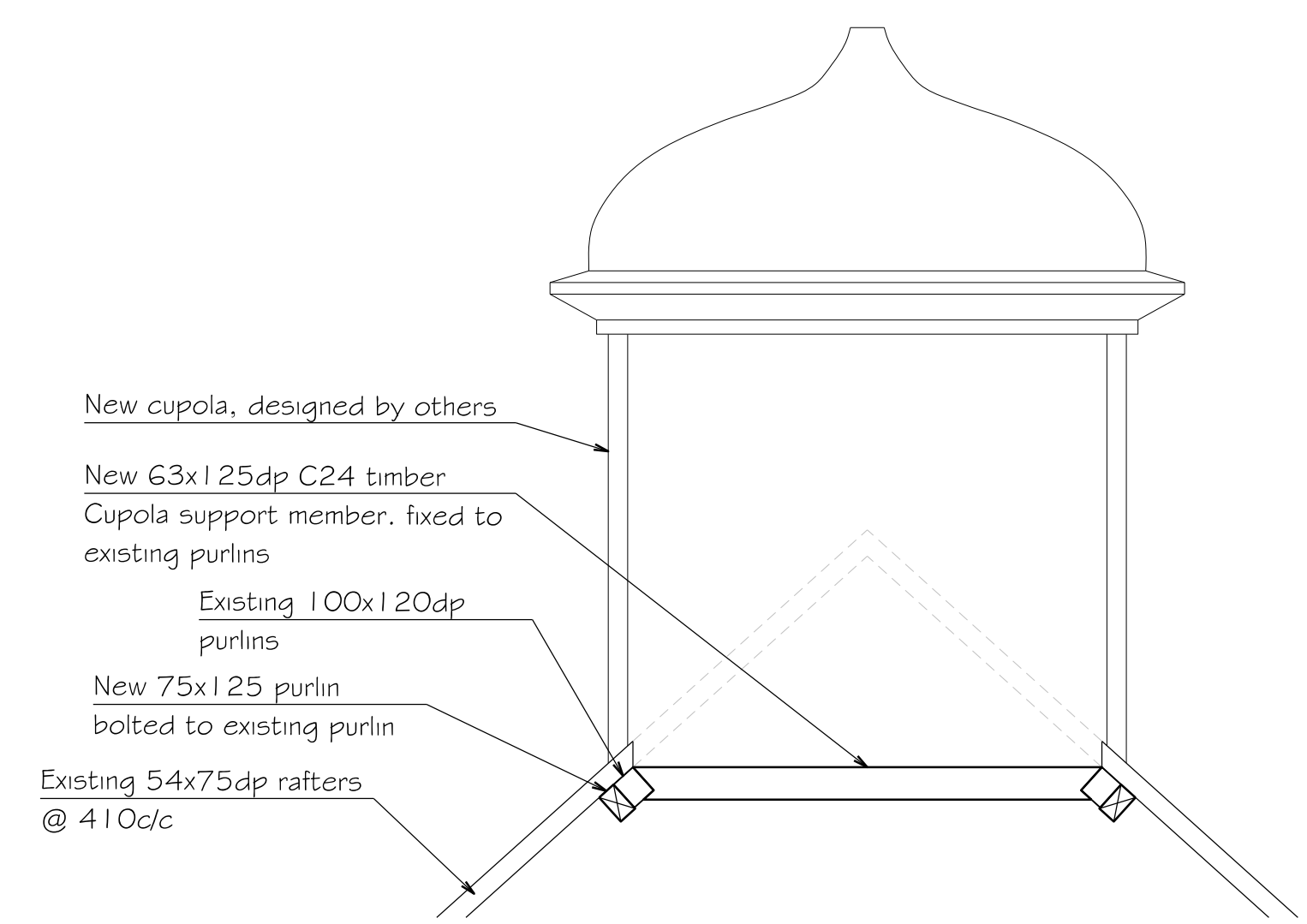
Lintel to be changed/repared on conjuction with framing works. lintels to be 100x100 pre cast concrete, number to suit width
Inspect all purlin bearnngs and improve if necessary



Gable Restraint Detail
Scale 1:20



SECTION 02A
Scale 1:25 @ A1



SECTION 02B
Scale 1:25 @ A1

PI	19.05.20	Issued for approval/comment	D5
Rev.	Date	Revisions	Chk.

© copyright
ANDREW WARING ASSOCIATES
Consulting Civil and Structural Engineers
The Old Brewery House, Portersbridge Street, Romsey, Hants, SO51 8DU
Tel: 01794 524447 Fax: 01794 515353
e-mail: mail@awaromsey.co.uk web: www.awaromsey.co.uk

Architect:
TFH REEVE

Client:
MR & MRS BOUILLEAU

Job Title:
**WRAXALL MANOR,
HIGHER WRAXALL,
DORCHESTER**

Drawing Title:
GABLE SUPPORT

Scale:
1:50, 1:25, 1:10 @ A1

Date: May 2020 Drawn by: SH Checked: D5

Orig. No. 10545-02 Rev. PI