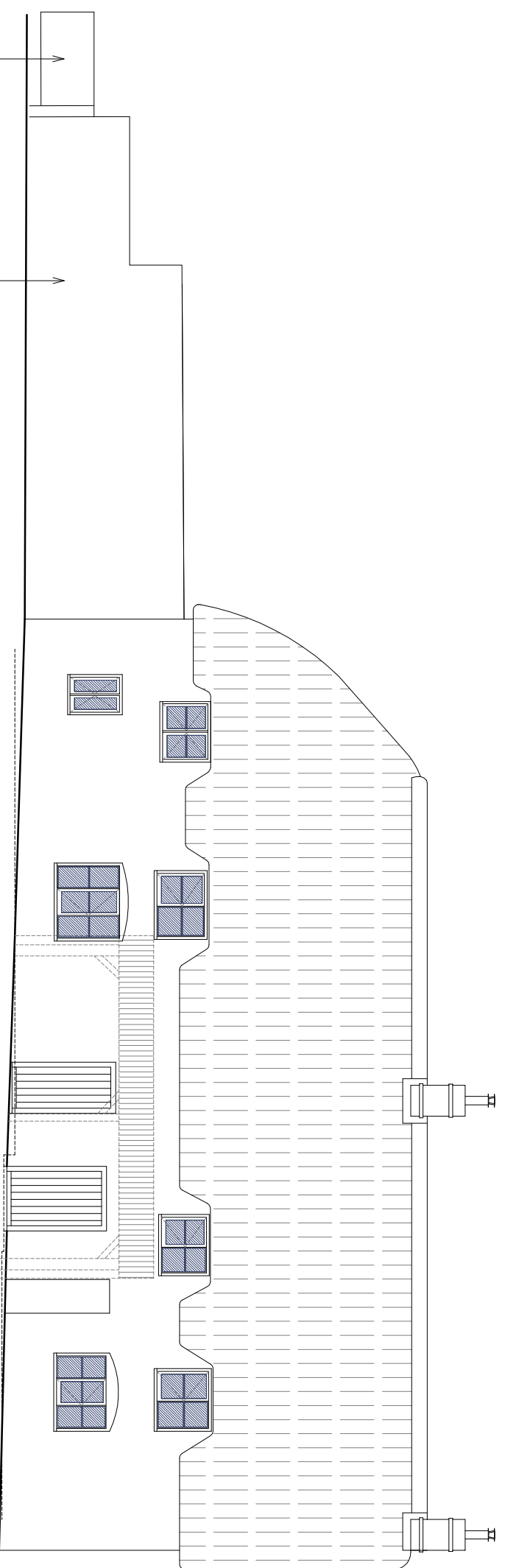
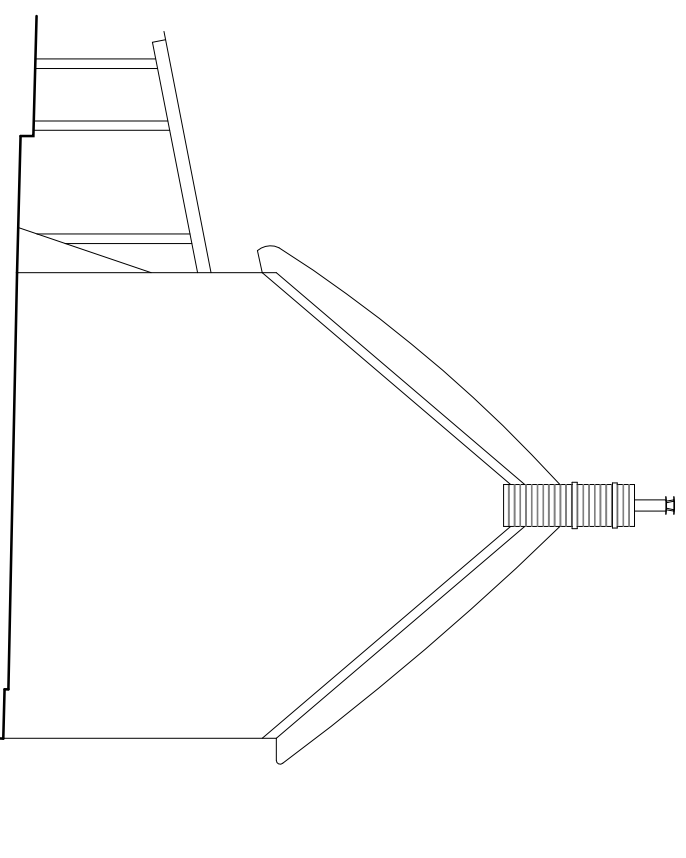


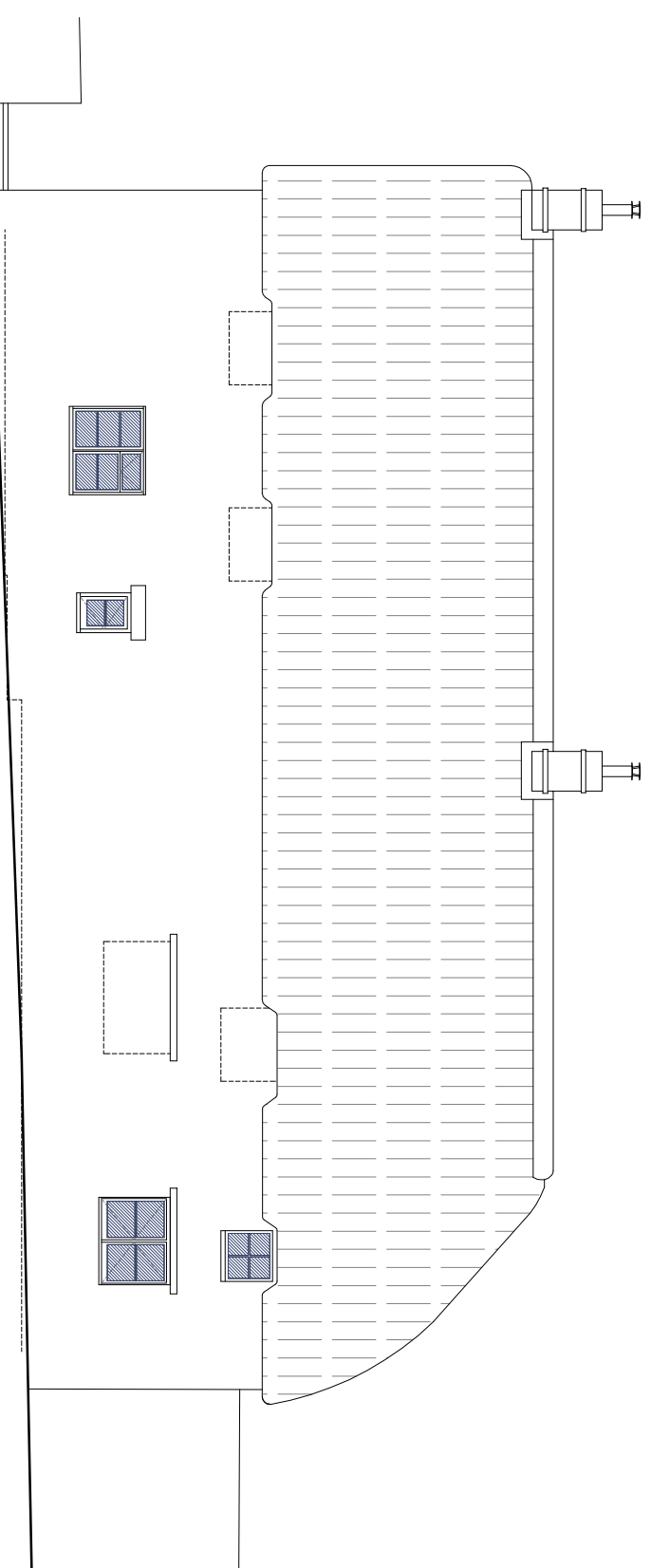
WEST ELEVATION



SOUTH ELEVATION



EAST ELEVATION



NORTH ELEVATION

Rev Date Description



Robbie Roskeil Architectural & Building Consultants Ltd  
 T 01308 841095 | E office@raboc.co.uk | W www.raboc.co.uk  
 Unit 3 Whitehart Yard, Hogshill Street, Beaminster, Dorset DT8 3AE

SURVEY of

POORTON HOUSE  
 SOUTH POORTON, BRIDPORT DT6 3TJ  
 for  
 MISS E GRIFFIES WELD

EXISTING ELEVATIONS

Scale Date Drawn by

1:100 OCT 20 CJ

20 / 101 / 03 Rev

Drawn to stated scale for purposes of Planning application, Building Regs submission and estimating. Settling out to be agreed on site and all critical dimensions checked