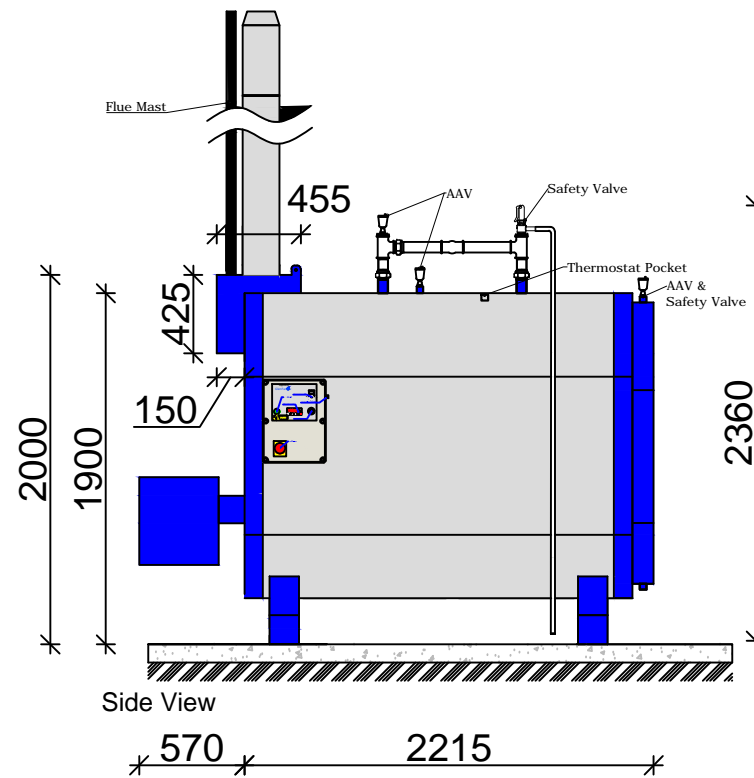
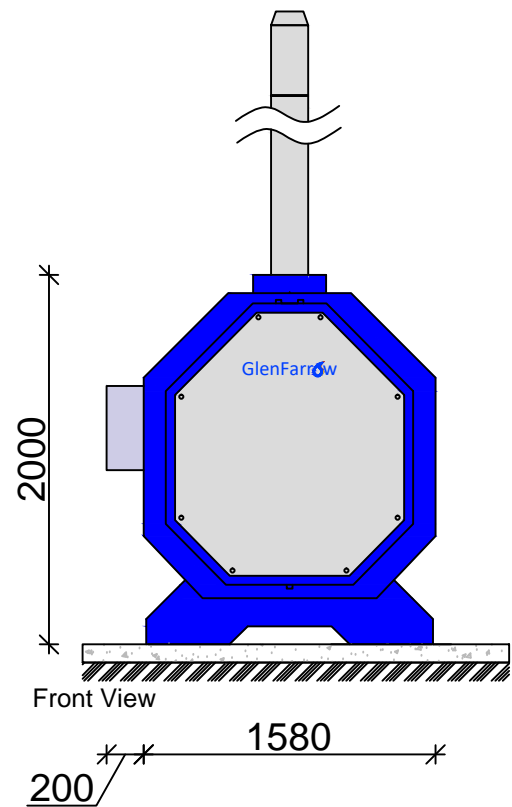
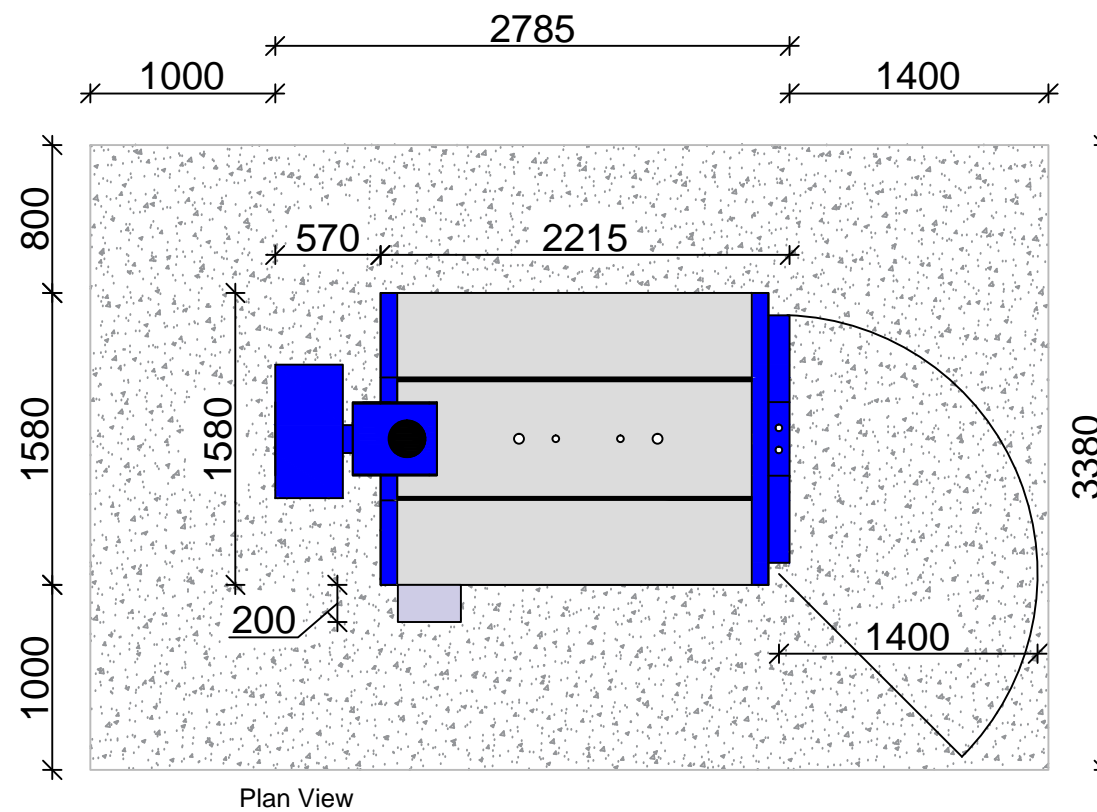
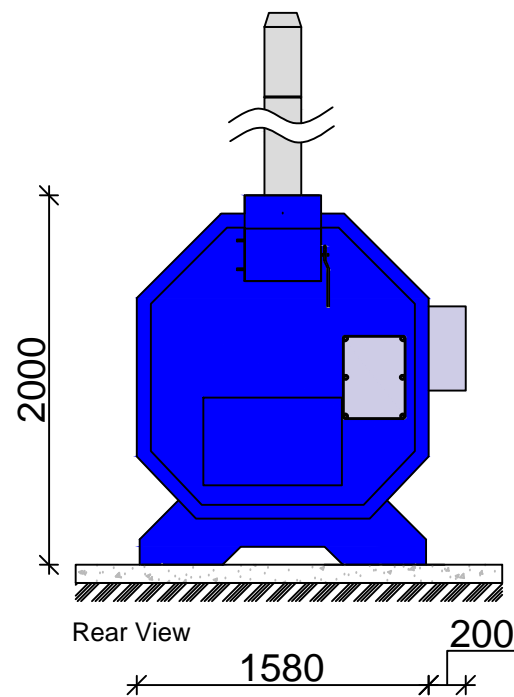


GF210 DIMENSIONS



Note:

- Dimensions are in millimeters.
- Dimensions of the boilers and container might vary $\pm 5\%$
- These are the minimum clearance distances required. Leaving additional space would provide yourself and service engineers increased access to work around the boiler.



NOTES:

GlenFarrow

Spalding Road, Pinchbeck, Spalding, Lincs. PE11 3UE

Plumbing, Heating,
Irrigation, Water &
Pumping Services

Tel: 01775 722327 Fax: 01775 725444
email: info@glenfarrow.co.uk

CLIENT:

PROJECT:
GF210 Elevations with Base clearance

SCALES: NTS	DRAWN: AL	DATE: 29/07/2019
----------------	--------------	---------------------

DRAWING NO: Bio-GF210 010	REV: -	A3
------------------------------	-----------	----

NOT FOR CONSTRUCTION