

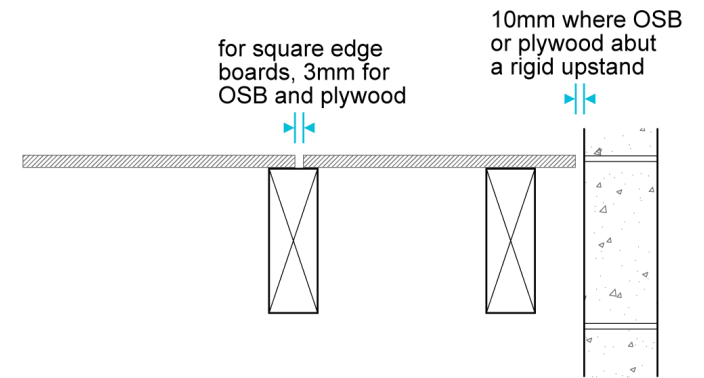
Plywood and oriented strand board should

- have tongued and grooved boards installed with the long edge at right angles to the joists, and short edges supported on a joist or noggin
- have a maximum movement gap between boards of 3mm for square edge boards
- have a minimum movement gap of 10mm where boards abut a rigid upstand
- be supported on noggins where the edges of boards situated along the roof perimeter do not coincide with joists
- be fixed at a maximum of 100mm centres (unless the design specifies closer)

OSB should be:

- installed over supports in the direction indicated on the boards, with the stronger axis installed at right angles to the supporting joists
- fixed a minimum of 9mm from the edge of the board

Fixed with appropriate screws or nails as required.



## Roof Lantern



Roof Lantern – to be installed in accordance with manufactures instructions

Apex Neutral Double glazed traditional aluminium roof lantern (or approved similar model)  
Approx. size 1500 x 2500 (Std. Specification size similar to suit)

Roof tiles – pre-fabricated slate – to match existing  
Facia, Soffit & Guttering to be in uPVC.

Ceiling - 12.5mm moisture resistant plasterboard with 3mm skim finish  
Walls - 12.5mm moisture resistant plasterboard with 3mm skim finish.