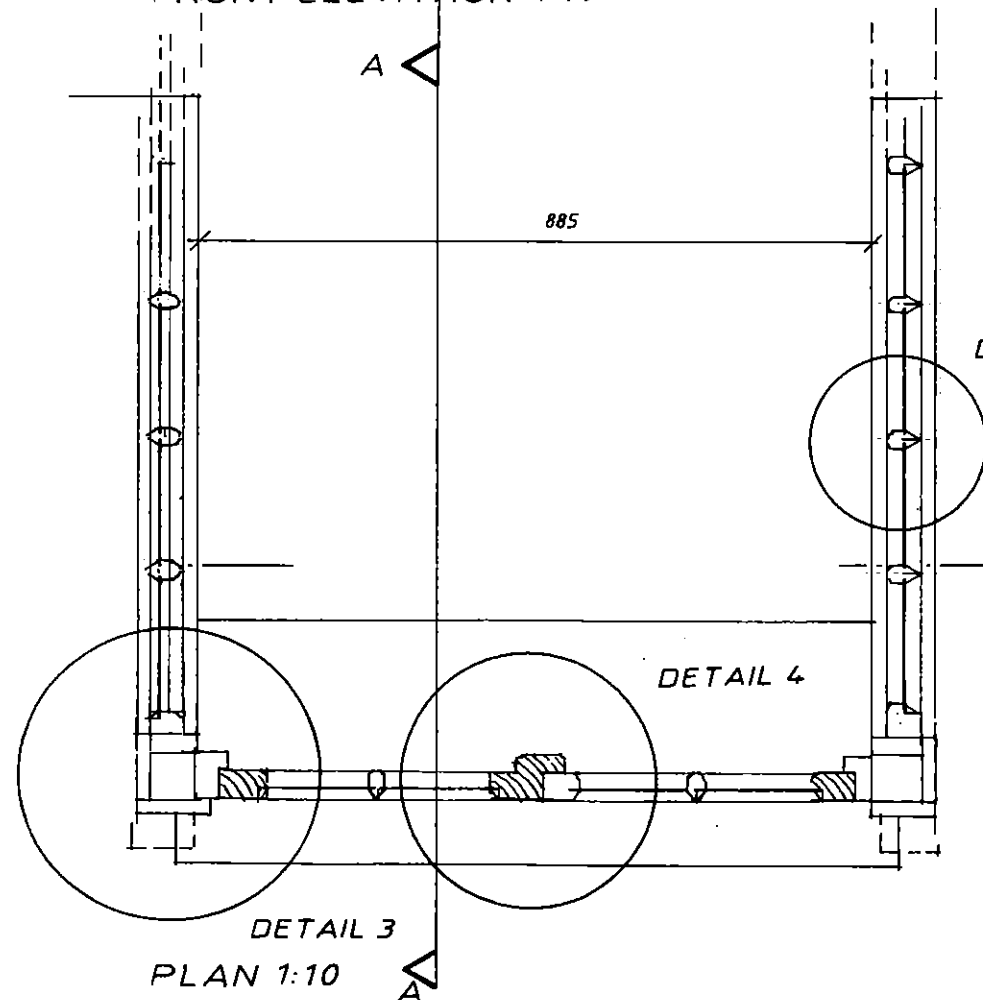
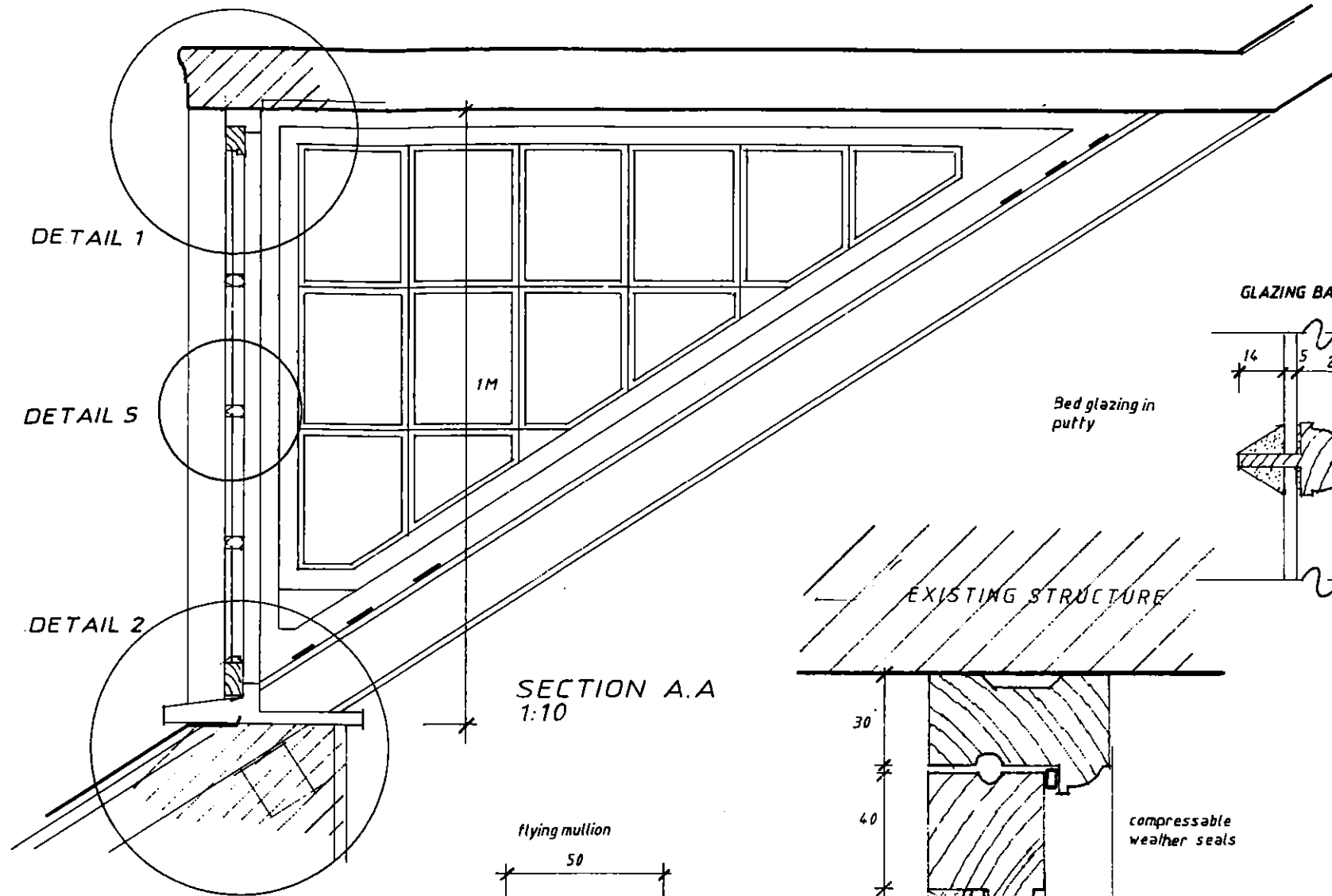


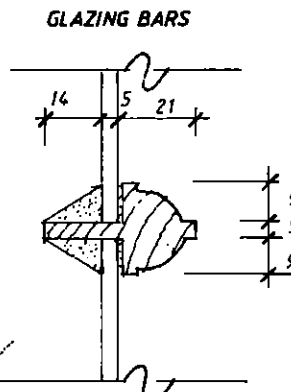
FRONT ELEVATION 1:10



PLAN 1:10

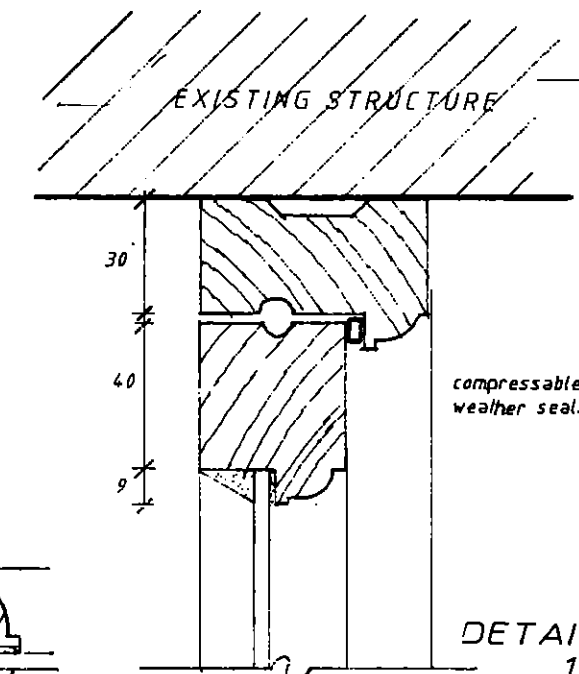


SECTION A.A
1:10

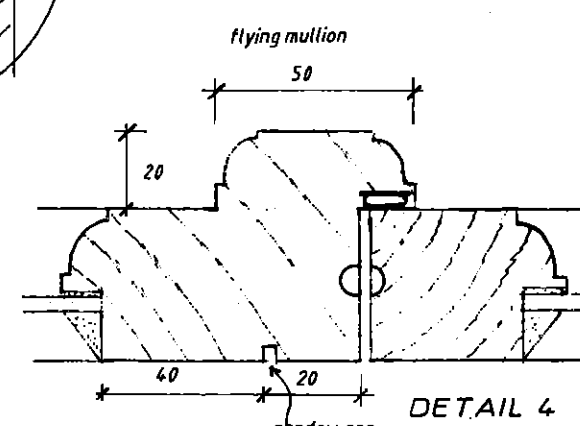


GLAZING BARS

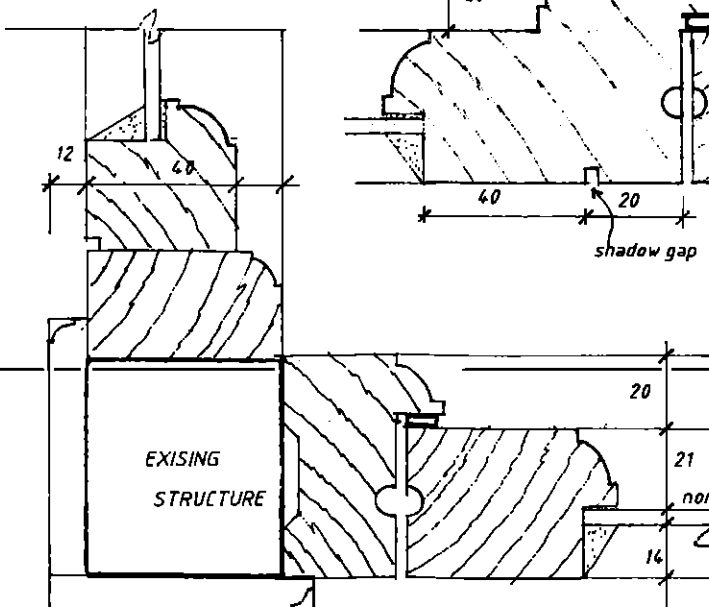
DETAIL 5



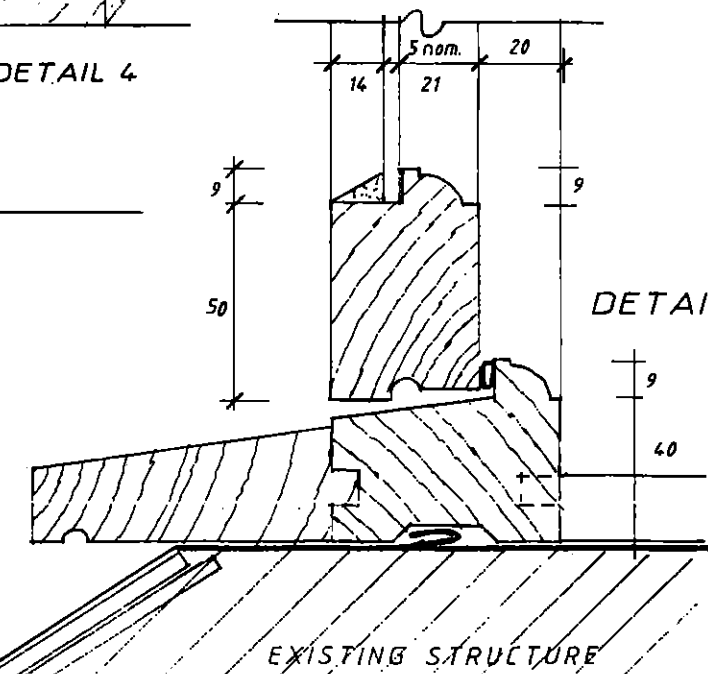
DETAIL 1
1:2



DETAIL 4



DETAIL 3
1:2



DETAIL 2
1:2

CONSTRUCT ALL JOINERY IN HARDWOOD, PAINT FINISH, WHITE. EXISTING RETAINED STRUCTURE ASSUMED, DUE TO LIMITED ACCESS ALL SINGLE GLAZING

JOHN MOSSELEY ARCHITECTS
 ARCHITECTURE • PLANNING • ILLUSTRATION
 John Mosseley
 BA, Dip Arch RIBA
 75 South Street • Bridport • Dorset • DT6 3NZ
 01308 424239 www.johnmosseleyarchitects.co.uk
 Email johnmosseleyarchitects@hotmail.com

Client DANIELA PINARDI

Project 137 SOUTH STREET,
 BRIDPORT,
 DORSET DT6 3PA

Title DORMER WINDOW DETAIL
 PROPOSED REPLACEMENT

Scale 1:10 / 1:2 Date NOV 2020

Drawing No DP/2020/PL13.

Copyright of Architect • Check Dimensions and levels
 • Report Discrepancies • Do not scale •