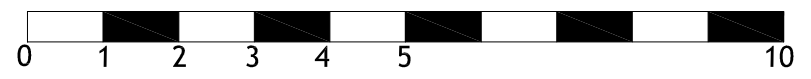
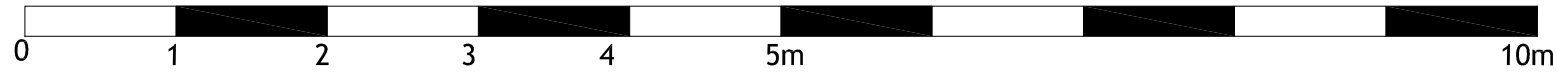
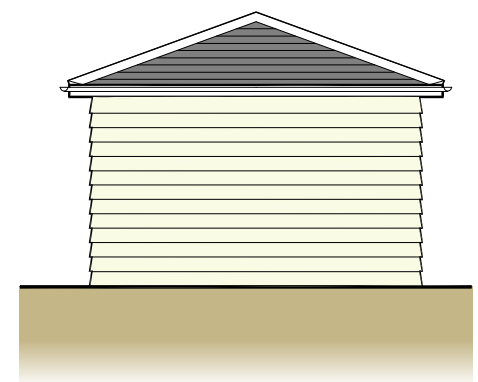
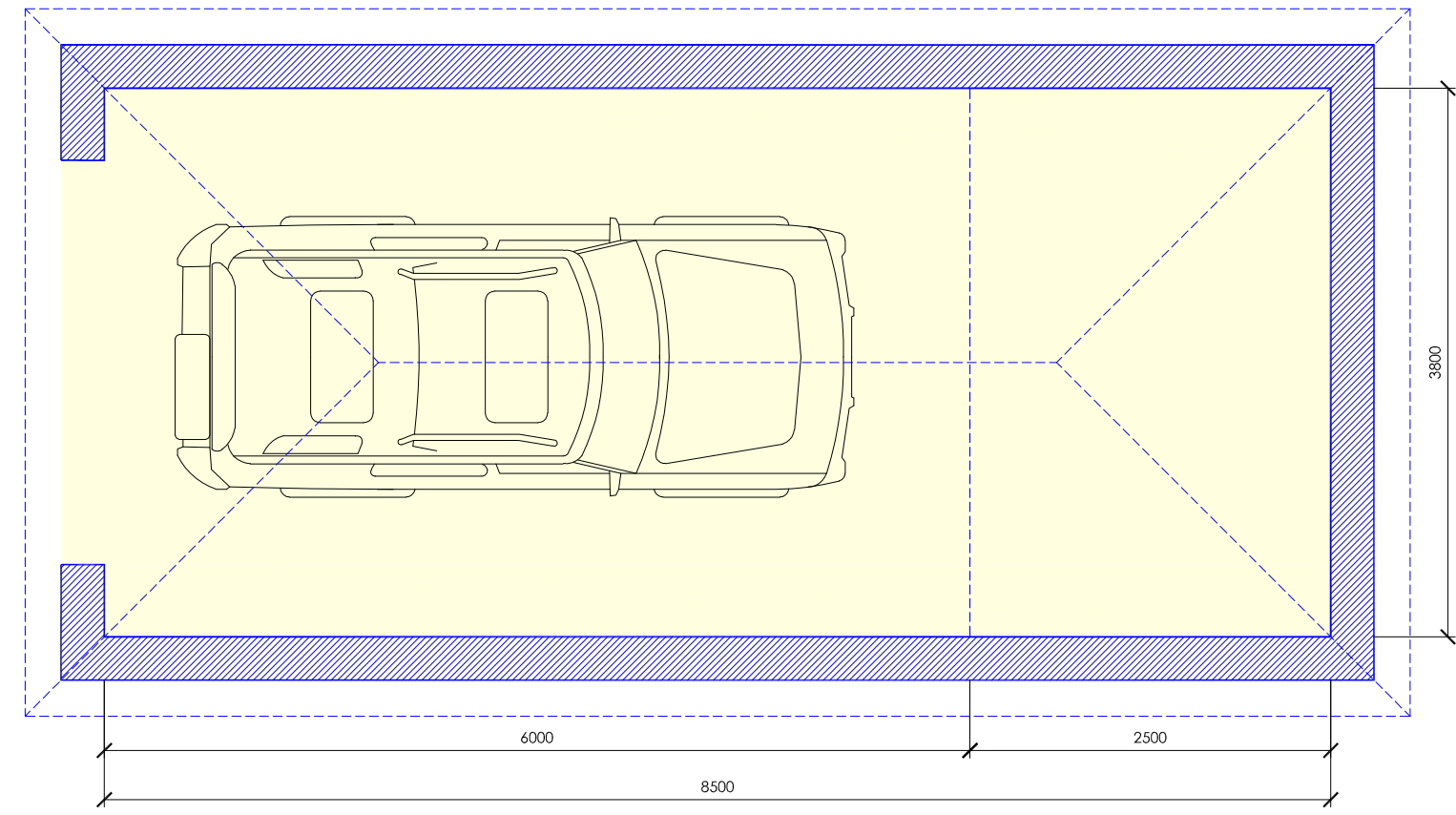


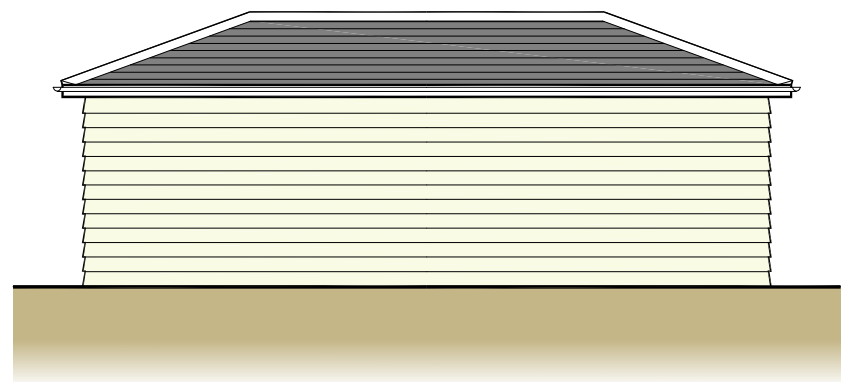
This drawing is the copyright of Elmstone Design LLP. The contractor is to check all site dimensions and levels before work starts. Do not scale from drawings. This drawing must be read with and checked against all structural and other specialist drawings, specification and bills of quantities. Notify architect of any discrepancies. The contractor is to comply with all current British Standards and Building Regulations whether or not specifically stated on these drawings.



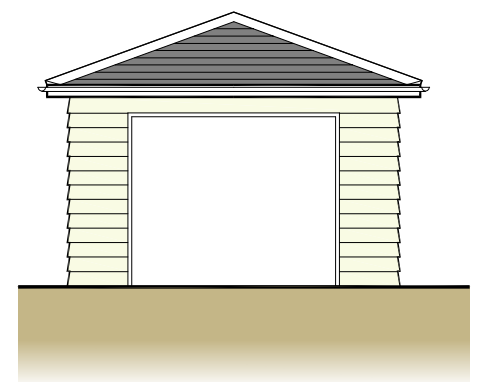
Proposed Garage Plan (1:50)



Proposed South East 'Rear - street facing' (1:100)



Proposed North East & South West 'Sides' (1:100)



Proposed North West 'Front' (1:100)

Client			
PLESSIS			
Project			
'WINDRUSH' 95 BARING ROAD			
Drawing			
PROPOSED GARAGE			
Scale.	Date	Status	Drawn
1:50/100 @ A3	NOVEMBER 2020		AH
Drawing No.		Revision B 06.12.20	
A98-PL13			