



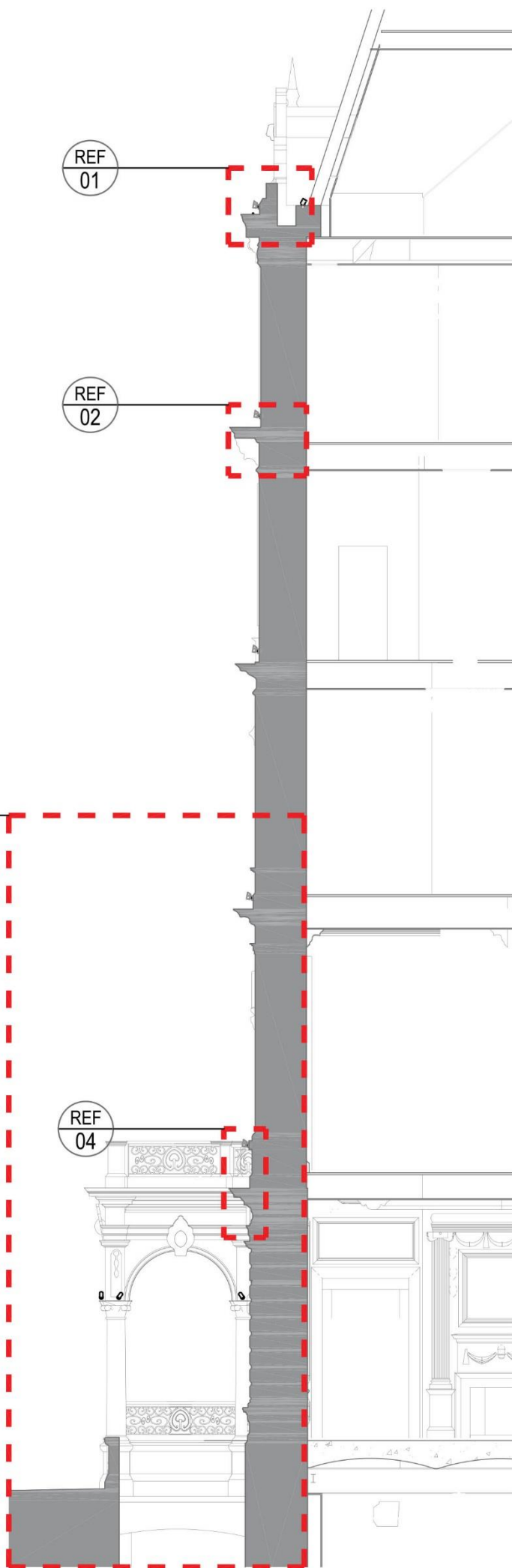
**1:100 Grosvenor Pl.  
Facade Section**

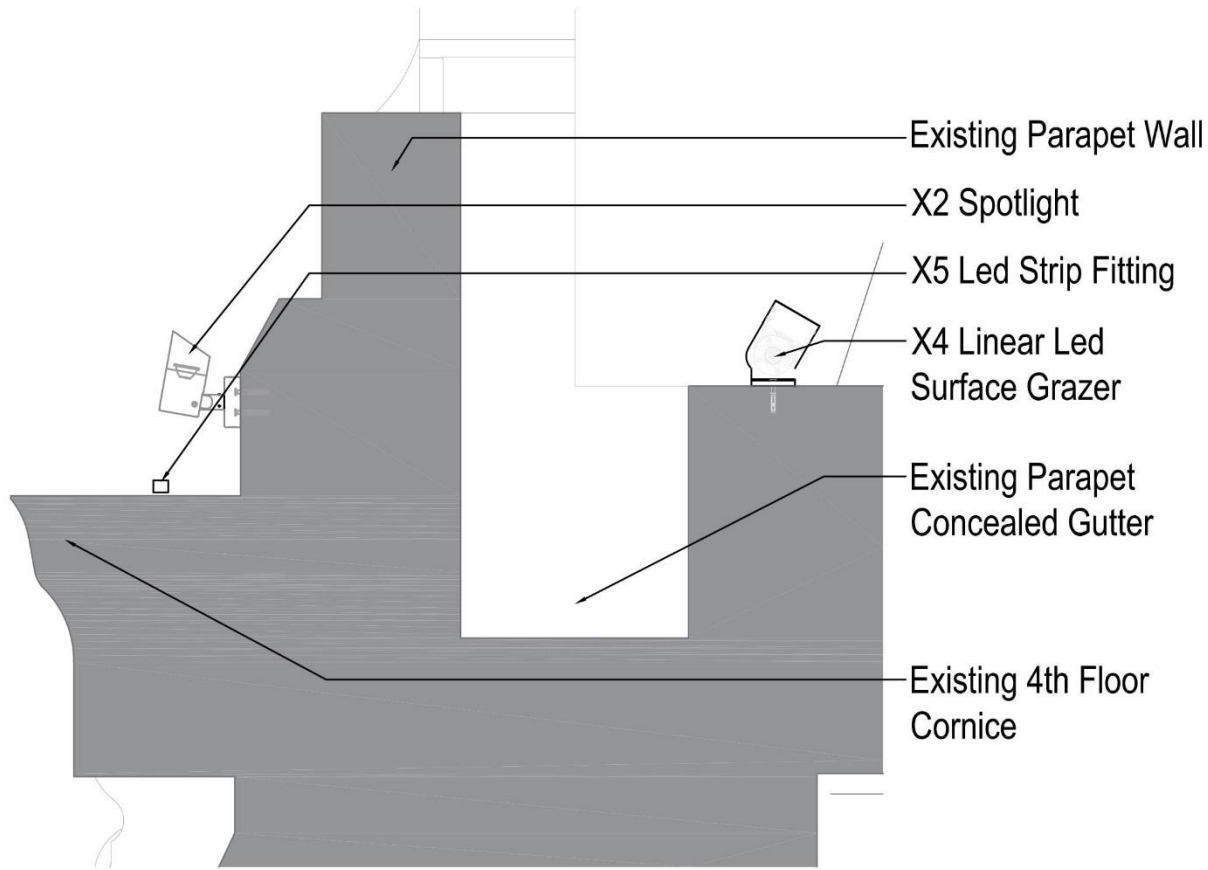
REF  
03

REF  
01

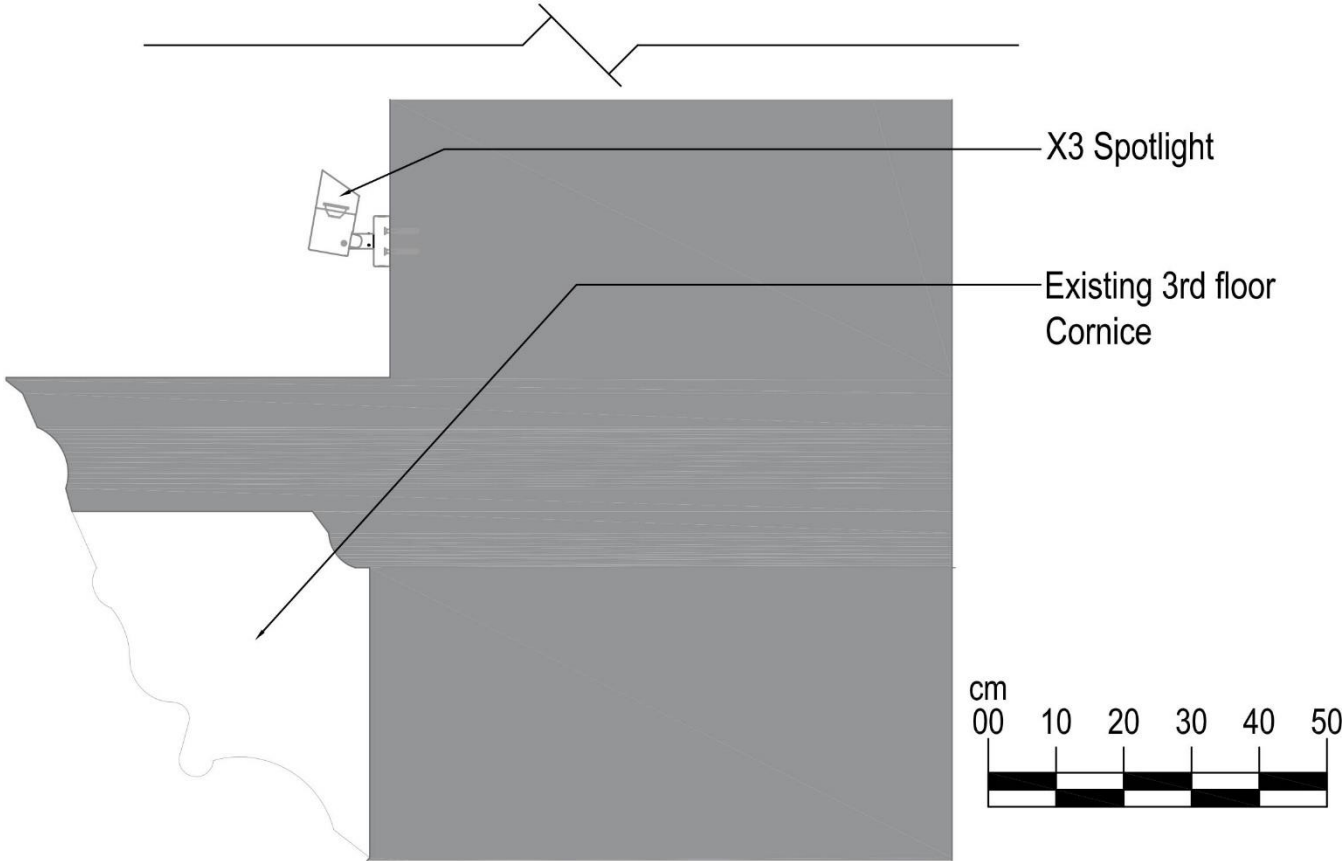
REF  
02

REF  
04

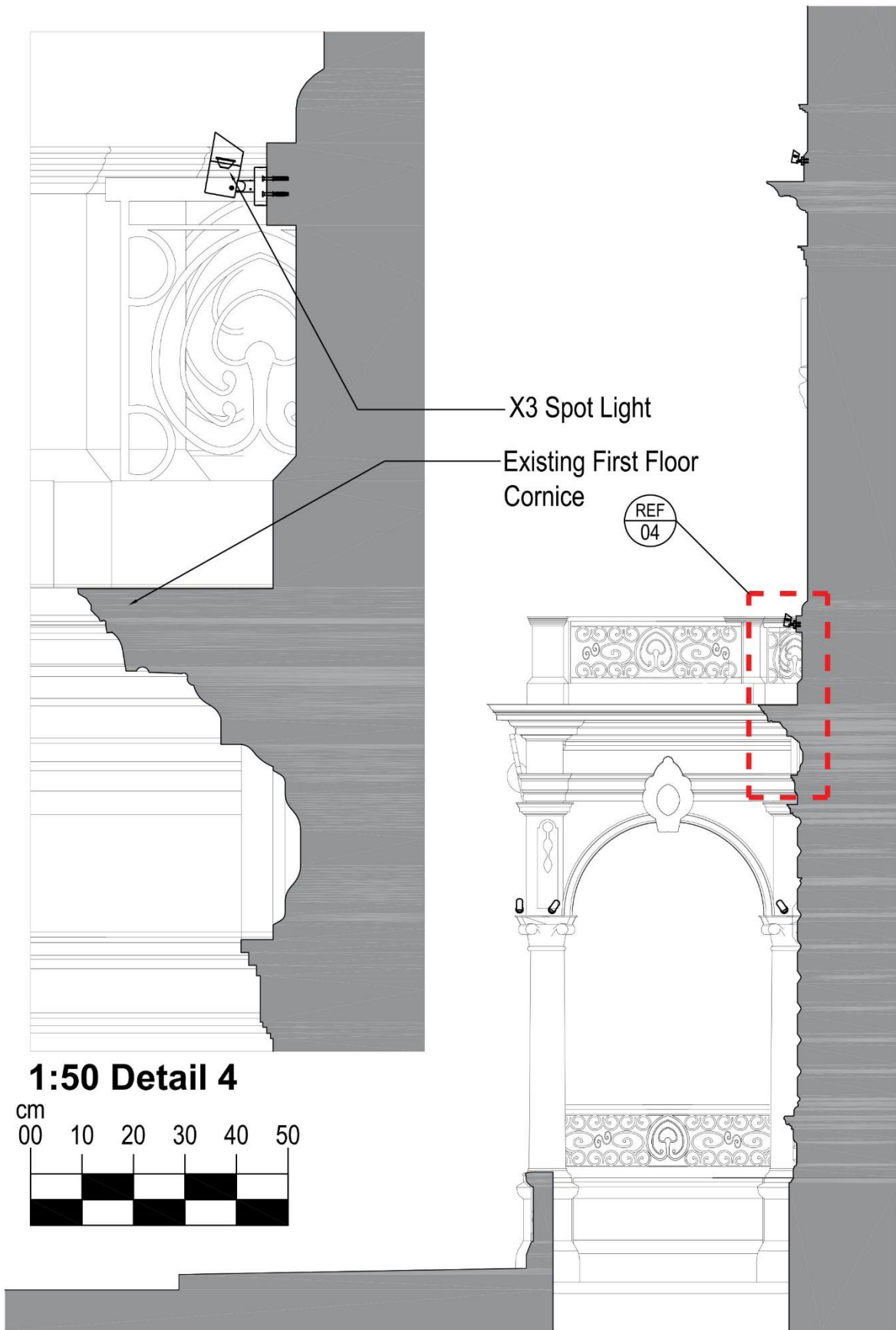




**1:10 Detail 01: Pediment Section**

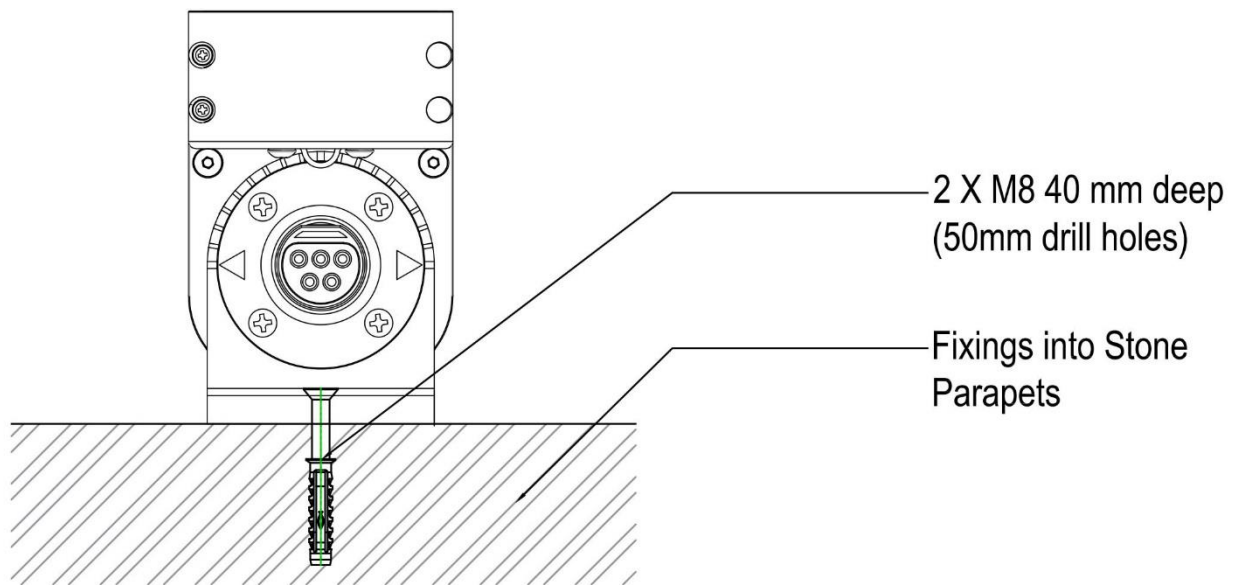


**1:10 Detail 02: 4th Floor Parapet Section**

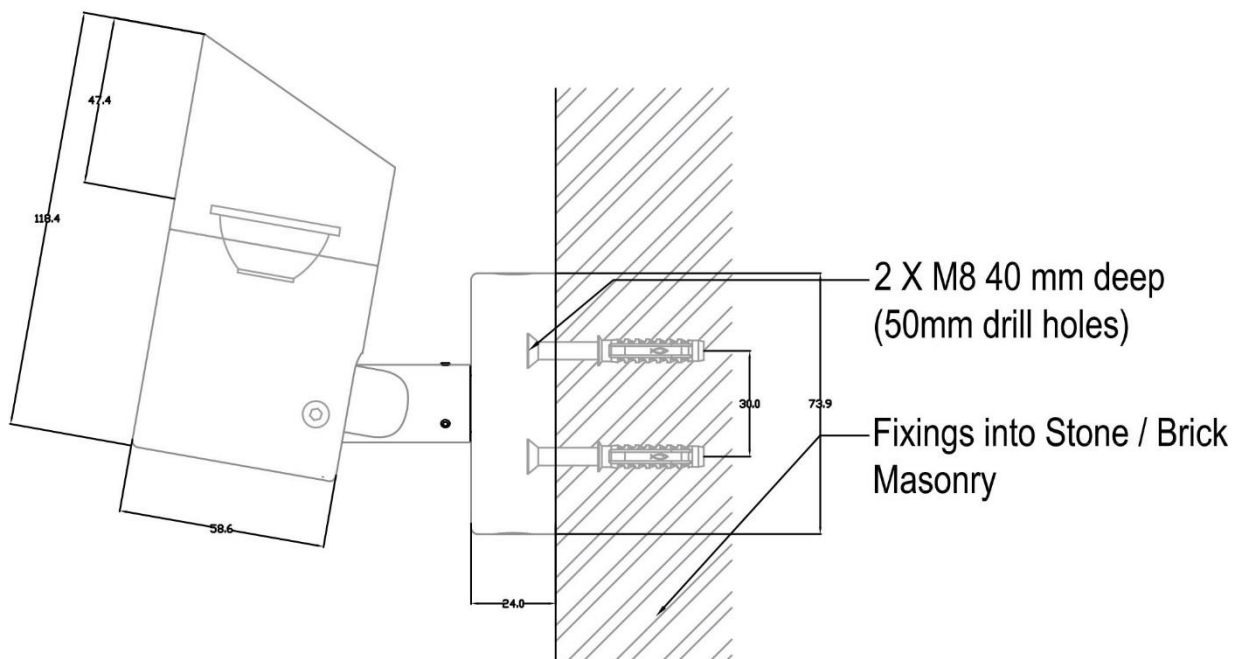


**1:50 Detail 3: External Lights to Entrance Porch**





**1:2 X1 & X4 Linear Led Surface Grazer**



**1:2 X2 & X3 Spotlight Fittings**

**X5 Led Strip Fitting**

Strip Lights fixed on horizontal upper face of cornices, require small clips fixed down with M6 screws into masonry rawl plugs, fixed wherever possible into stone joints.

