



IMAGE 01 - SASH WINDOW

EXISTING WINDOW
EXTERNAL



IMAGE 02 - CASAMENT WINDOW

EXISTING WINDOW
EXTERNAL



IMAGE 04

EXISTING GLAZING BAR



IMAGE 03- CASAMENT WINDOW

EXISTING WINDOW
INTERNAL



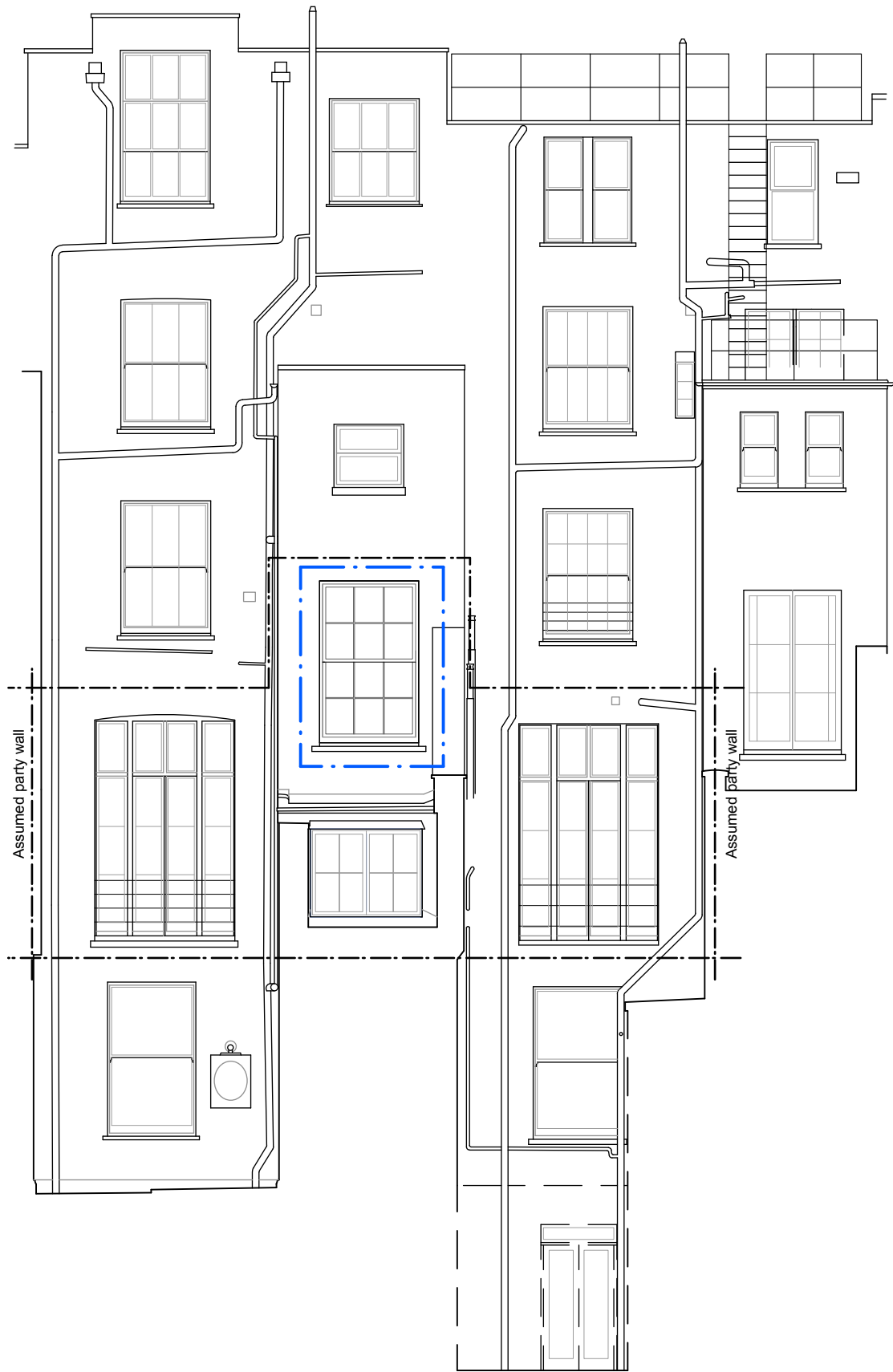
IMAGE 05

EXISTING GLAZING BAR

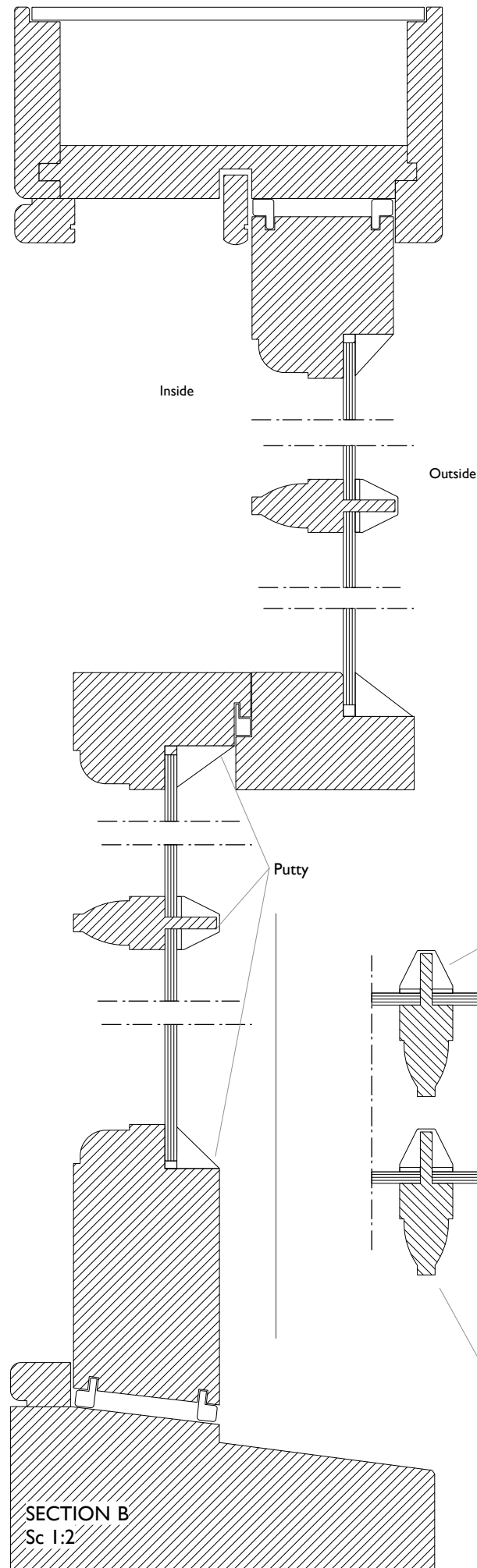
PROJECT		
42 Cleveland Square W2 6DA		
TITLE		
CONDITION 3 1) Joinery profiles for new rear windows <i>PHOTOS OF EXISTING</i>		
DRAWING NUMBER		
149_Condition_03_01		
DATE	SCALE	REVISION
12.01.2021	@A3	-
RETROUVIUS		

Retrouvius Design Limited | +44(0)20 8960 8676
2A Ravensworth Road London NW10 5NR
design@retrouvius.com | retrouvius.com

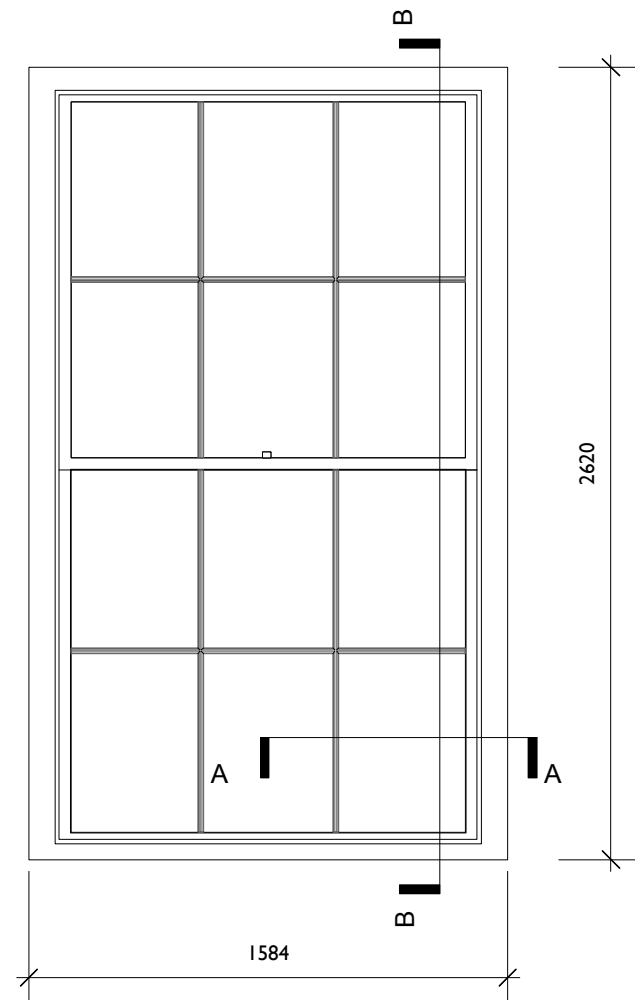
DO NOT SCALE FROM THIS DRAWING



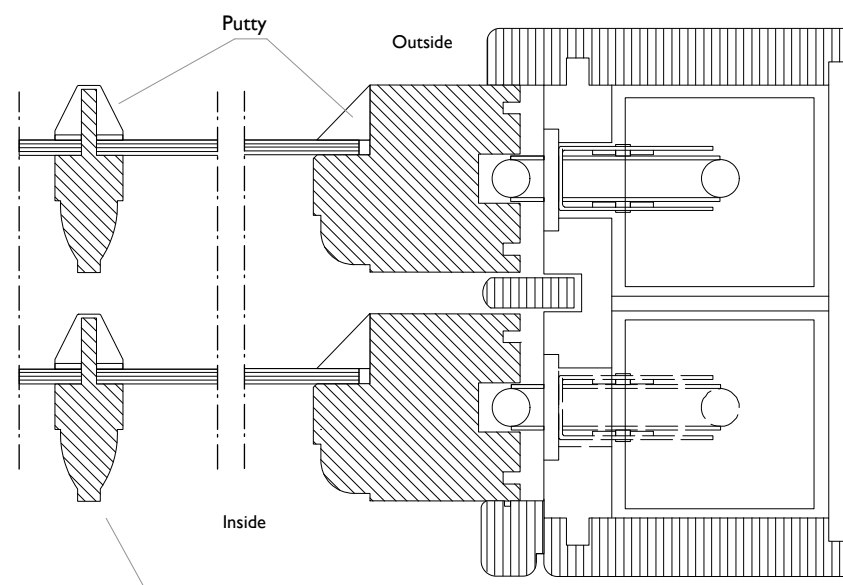
PROPOSED SOUTH ELEVATION Sc. 1:100
42 Cleveland Square - Flat 1



SECTION B
Sc 1:2

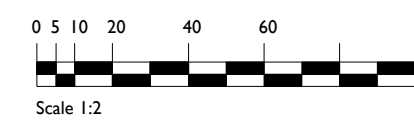


PROPOSED SASH WINDOW
Sc. 1:25



SECTION A
Sc 1:2

Lamb's tongue glazing bar
with external putty.
Profile to replicate original
existing windows

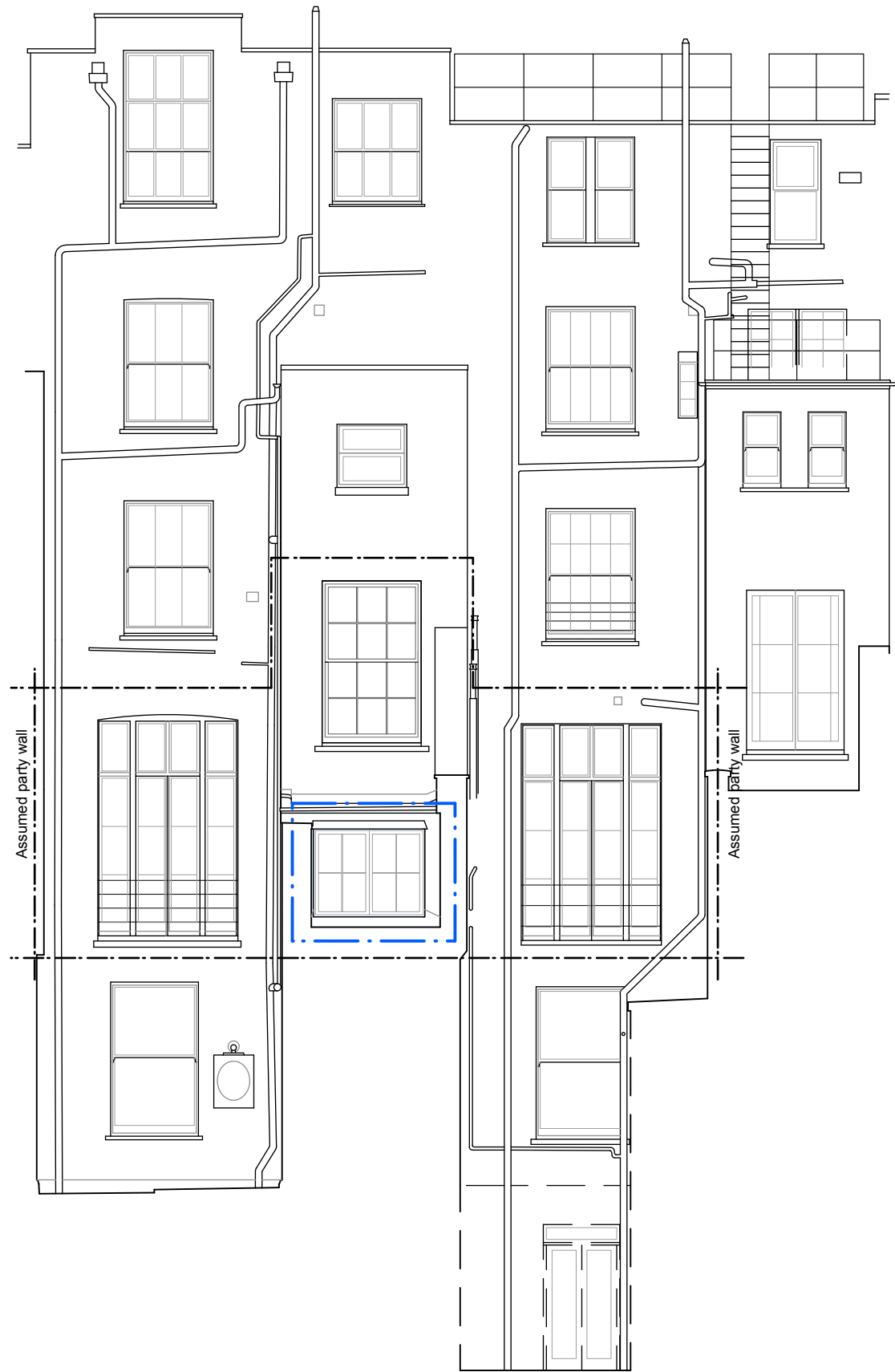


PROJECT		
42 Cleveland Square W2 6DA		
TITLE		
CONDITION 3 1) Joinery profiles for new rear windows (Single glazed) - SASH WINDOW -		
DRAWING NUMBER		
149_Condition_03_02		
DATE	SCALE	REVISION
12.01.2021	@A3	

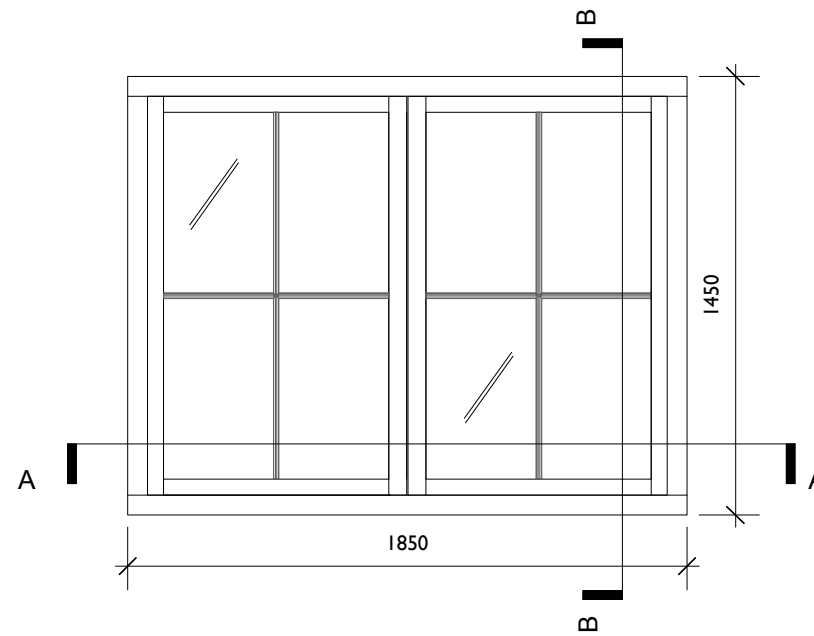
RETROUVIUS

Retrouvius Design Limited | +44(0)20 8960 8676
2A Ravensworth Road London NW10 5NR
design@retrouvius.com | retrouvius.com

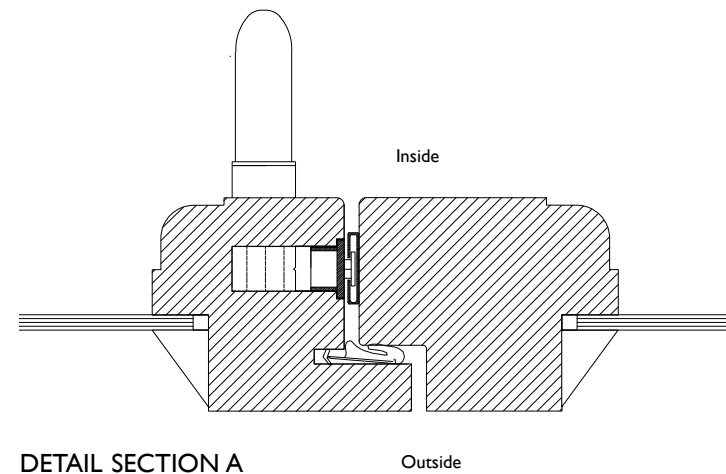
DO NOT SCALE FROM THIS DRAWING



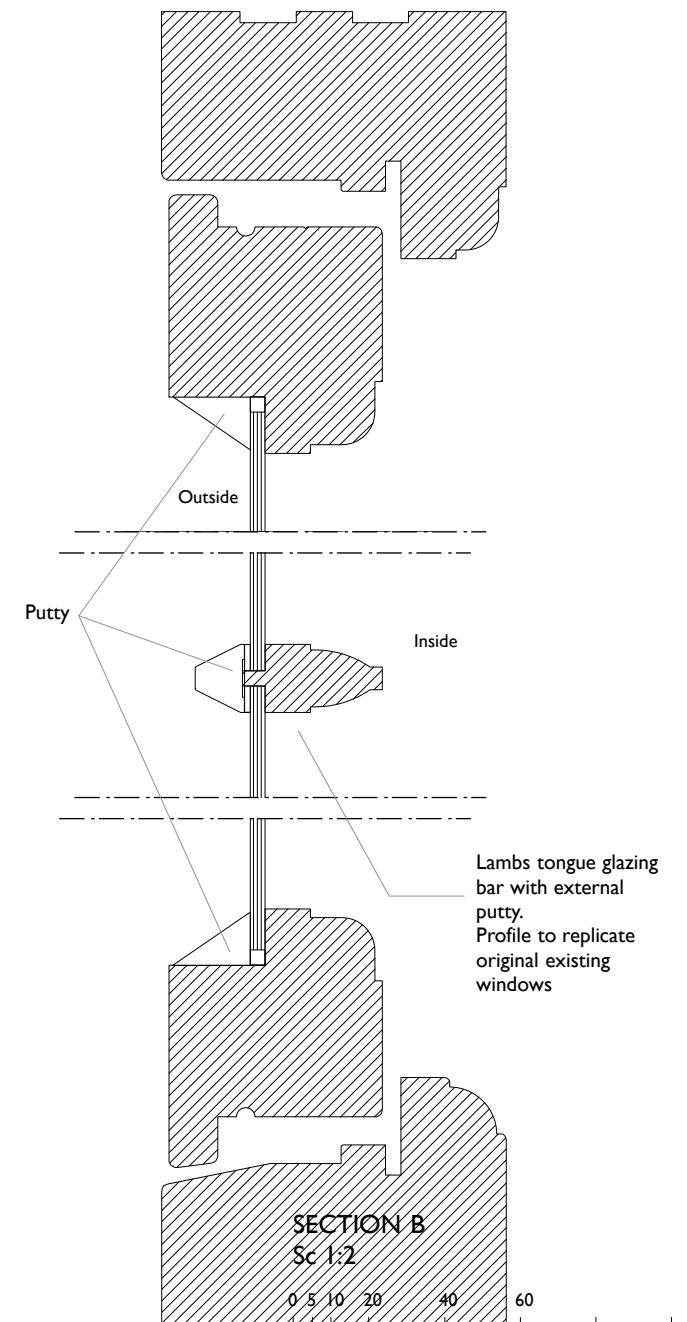
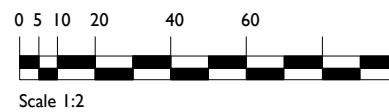
PROPOSED SOUTH ELEVATION Sc. 1:100
42 Cleveland Square - Flat 1



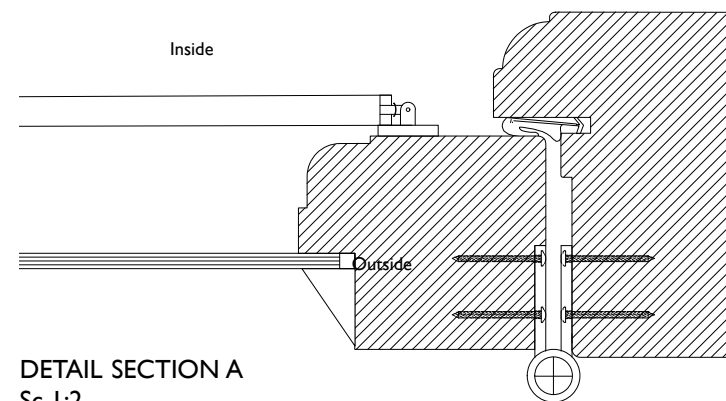
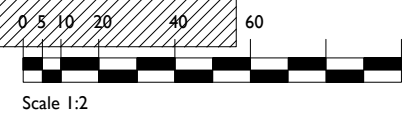
PROPOSED CASEMENT WINDOW
Sc. 1:25



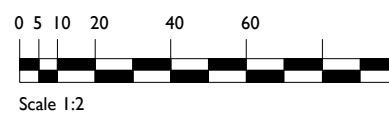
DETAIL SECTION A
Sc 1:2



SECTION B
Sc 1:2



DETAIL SECTION A
Sc 1:2



PROJECT		
42 Cleveland Square W2 6DA		
TITLE		
CONDITION 3 1) Joinery profiles for new rear windows (Single glazed) - CASEMENT WINDOW -		
DRAWING NUMBER		
149_Condition_03_03		
DATE	SCALE	REVISION
12.01.2021	@A3	-
RETROUVIUS		
Retrouvius Design Limited +44(0)20 8960 8676 2A Ravensworth Road London NW10 5NR design@retrouvius.com retrouvius.com		
DO NOT SCALE FROM THIS DRAWING		