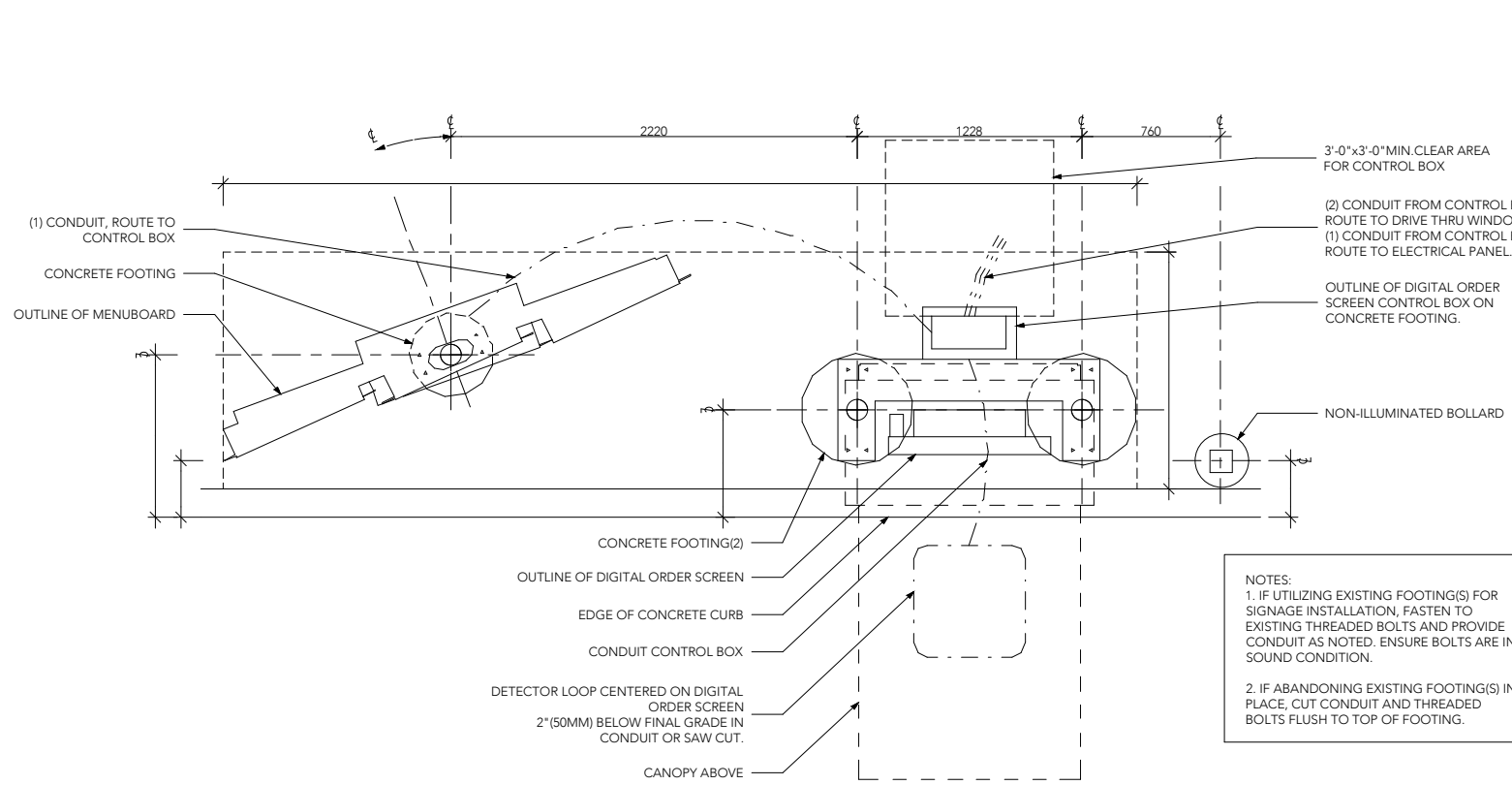
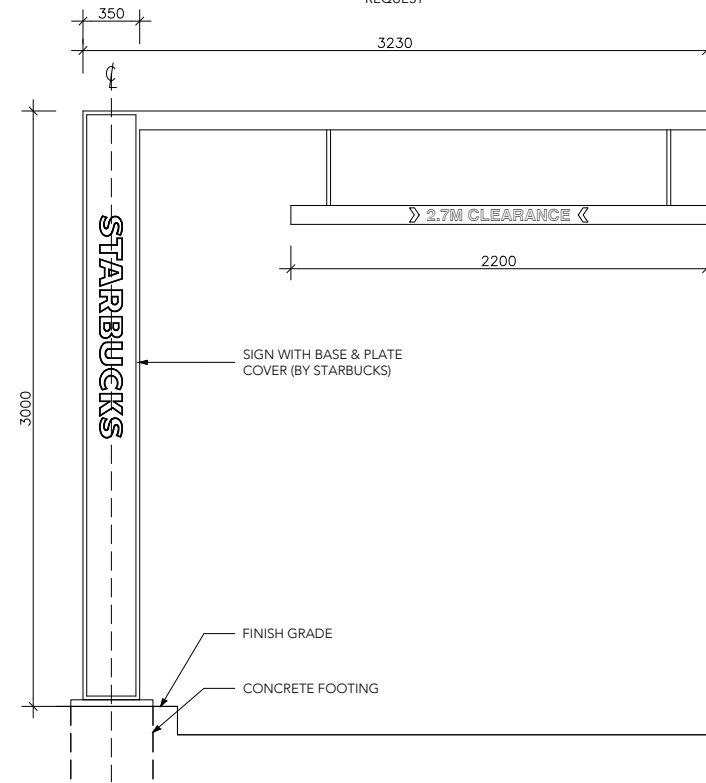


**SHEET NOTES**

1. WHERE AGREED ANY NON-CATALOGUE ITEMS CAN BE SUPPLIED, CONSTRUCTION MANAGER/PROJECT MANAGER TO PROVIDE MANUFACTURING DRAWINGS FOR STARBUCKS DESIGN REVIEW, COMMENT AND APPROVAL. SAMPLES TO BE PROVIDED ON REQUEST

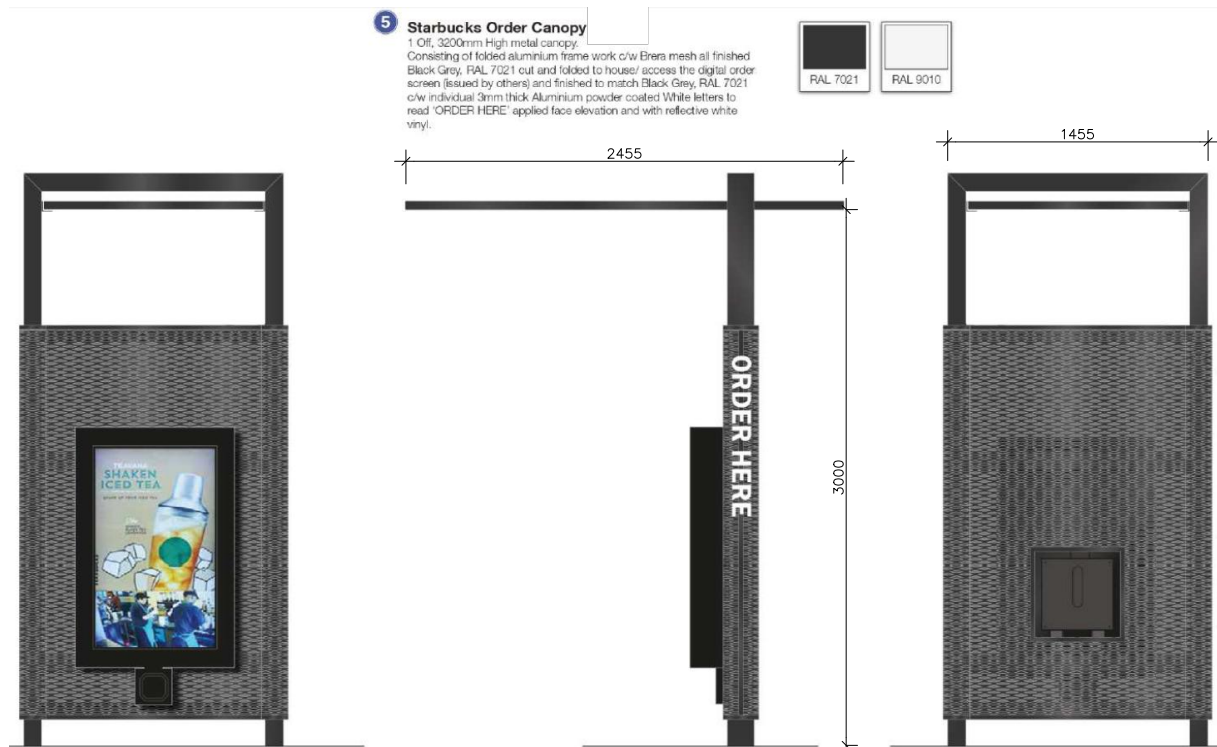


**NOTES:**  
 1. IF UTILIZING EXISTING FOOTING(S) FOR SIGNAGE INSTALLATION, FASTEN TO EXISTING THREADED BOLTS AND PROVIDE CONDUIT AS NOTED. ENSURE BOLTS ARE IN SOUND CONDITION.  
 2. IF ABANDONING EXISTING FOOTING(S) IN PLACE, CUT CONDUIT AND THREADED BOLTS FLUSH TO TOP OF FOOTING.

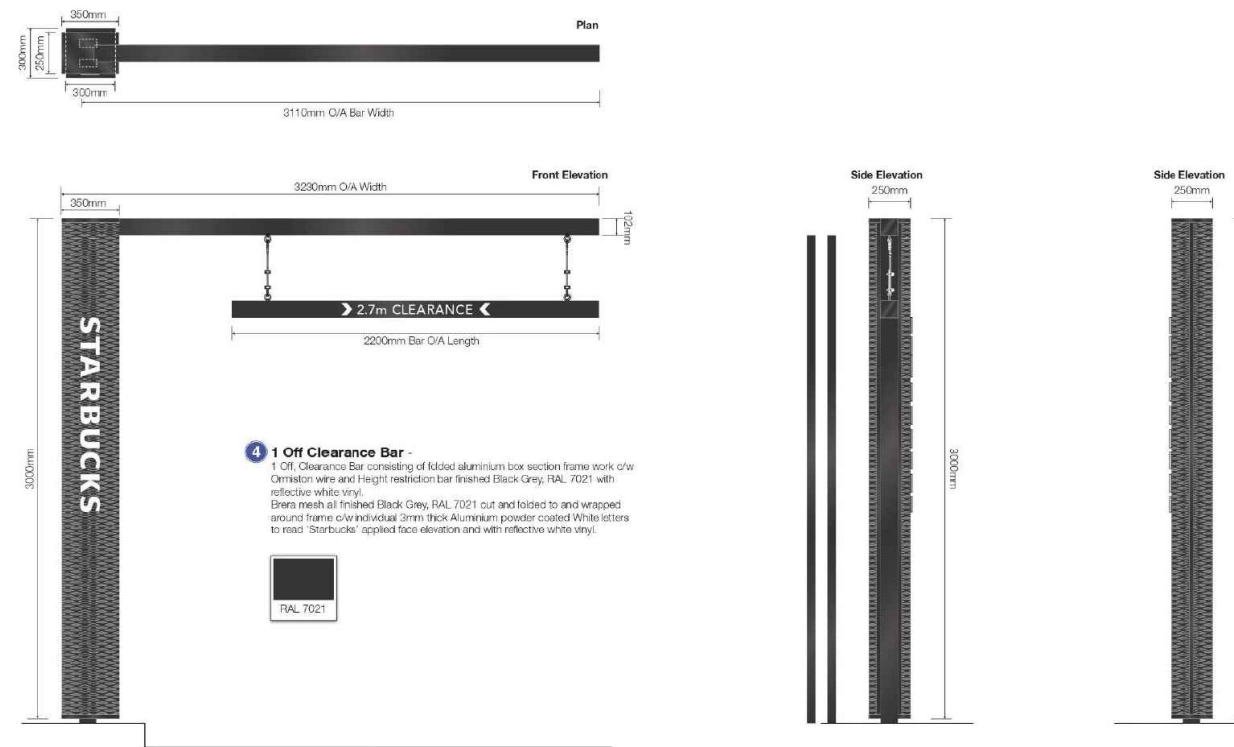


7 DT - 5 PANEL 20' DT MENUBOARD, DIGITAL ORDER SCREEN W/ CANOPY

6 DT - CLEARANCE POLE



DIGITAL ORDER SCREEN W/ CANOPY - REFERENCE IMAGE



CLEARANCE POLE - REFERENCE IMAGE



**STARBUCKS**

ADVERTISING APPLICATION			
Rev	Description	By	Date

**OLA**

OPFER LOGAN ARCHITECTS

130 CUBIE STREET | GLASGOW | G40 2AF  
 T : (0141) 332 9300 F : (0141) 342 2299 E : info@olarchitects.com

Client	BURTON & SPEKE LTD
Project	STARBUCKS DRIVE THROUGH FIT OUT LEVEN RIVERSIDE RETAIL PARK
Title	SITE DETAILS AND SIGNAGE 1
Project No.	22018
Scale	AS NOTED @ A3
Drawing No.	PL-A-A-1002
Date	DECEMBER 2020

Drawn By: JAD Checked By: DW  
 COPYRIGHT OF DESIGN & DRAWING RESERVED  
 UNAUTHORISED COPYING, DISTRIBUTION OR RECEIPT OF THIS DRAWING  
 WITHOUT THE WRITTEN CONSENT OF OLA LTD MAY CONSTITUTE AN  
 INFRINGEMENT OF COPYRIGHT. IF IN DOUBT PLEASE CONTACT OLA LTD