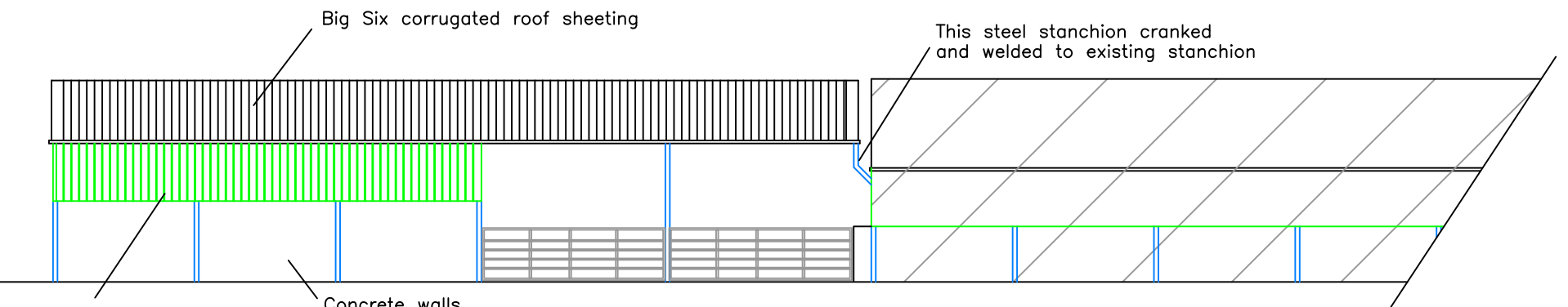
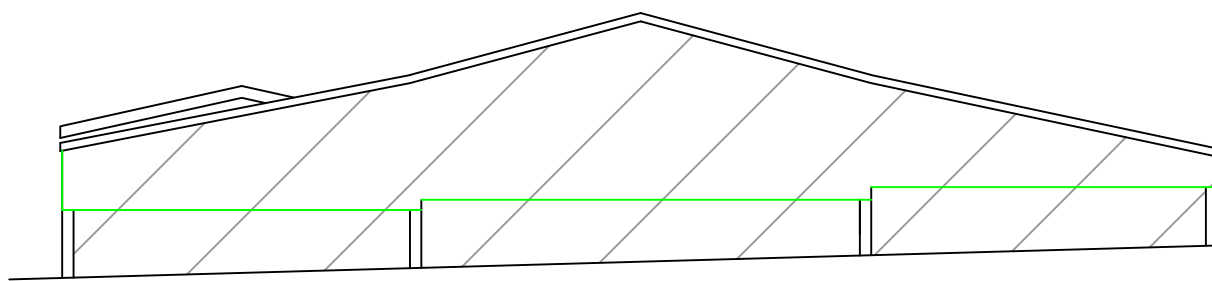


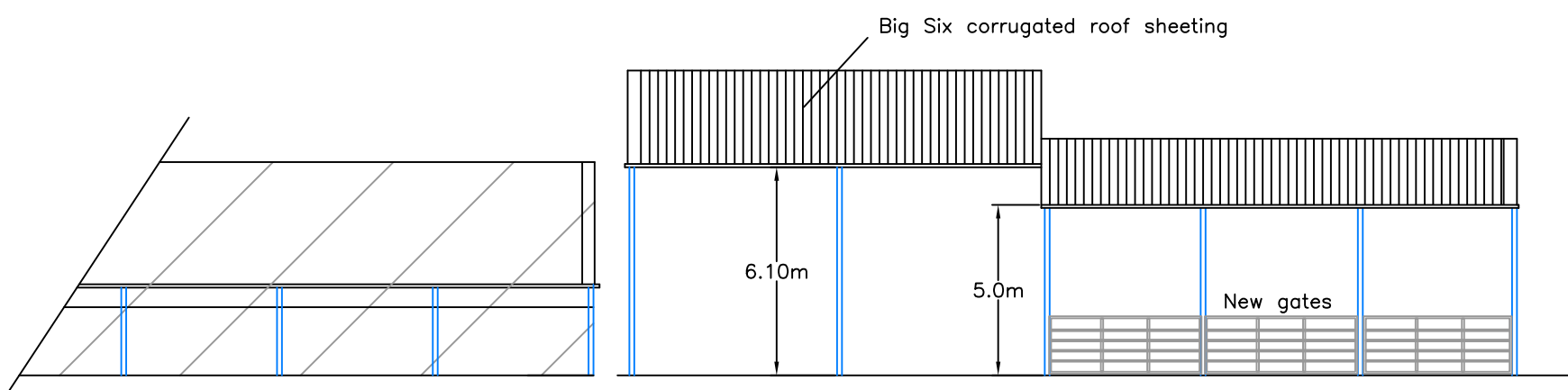
NORTH EAST ELEVATION



NORTH WEST ELEVATION



SOUTH WEST ELEVATION



SOUTH EAST ELEVATION

ELEVATION OF NEW BUILDING

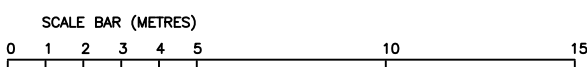
New roof over concrete yards and General Storage Building for S Crocker, New Barn Farm, Piddletrenthide, Dorchester. DT2 7RE.

COUNTRY DESIGN GROUP

8 Meadow View, Blandford. DT11 7JB Tel. (01258) 453763
 Mobile (07977) 006214 E.Mail colin@countrydesign.co.uk

Copyright. This drawing and all its contents are the sole copyright of Country Design Group, and cannot be copied or used in part or whole without the written consent of Country Design Group, whose property it remains.

Scale 1=200 Date October 2020 Drawn Colin Haysom Drg No. CDG/1092/6



A3 PAPER SIZE