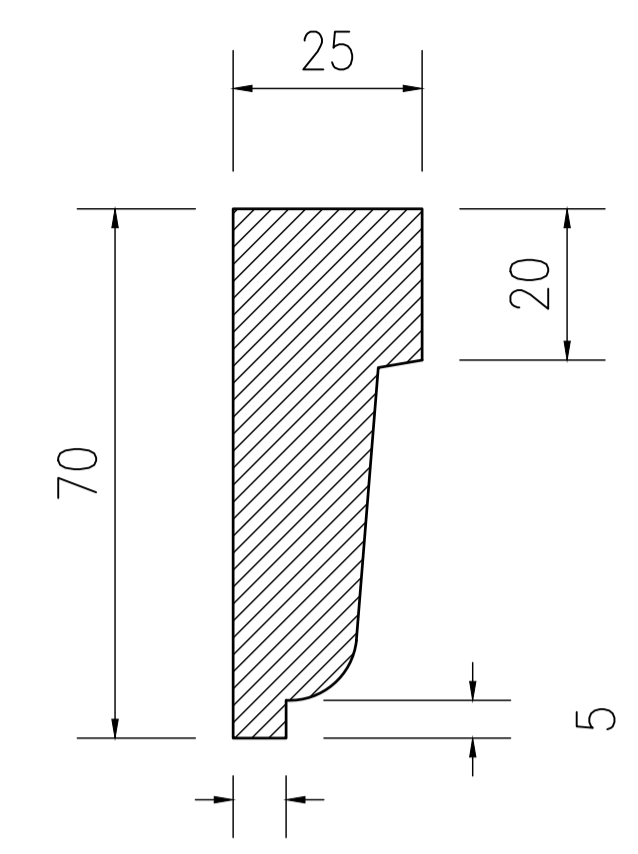
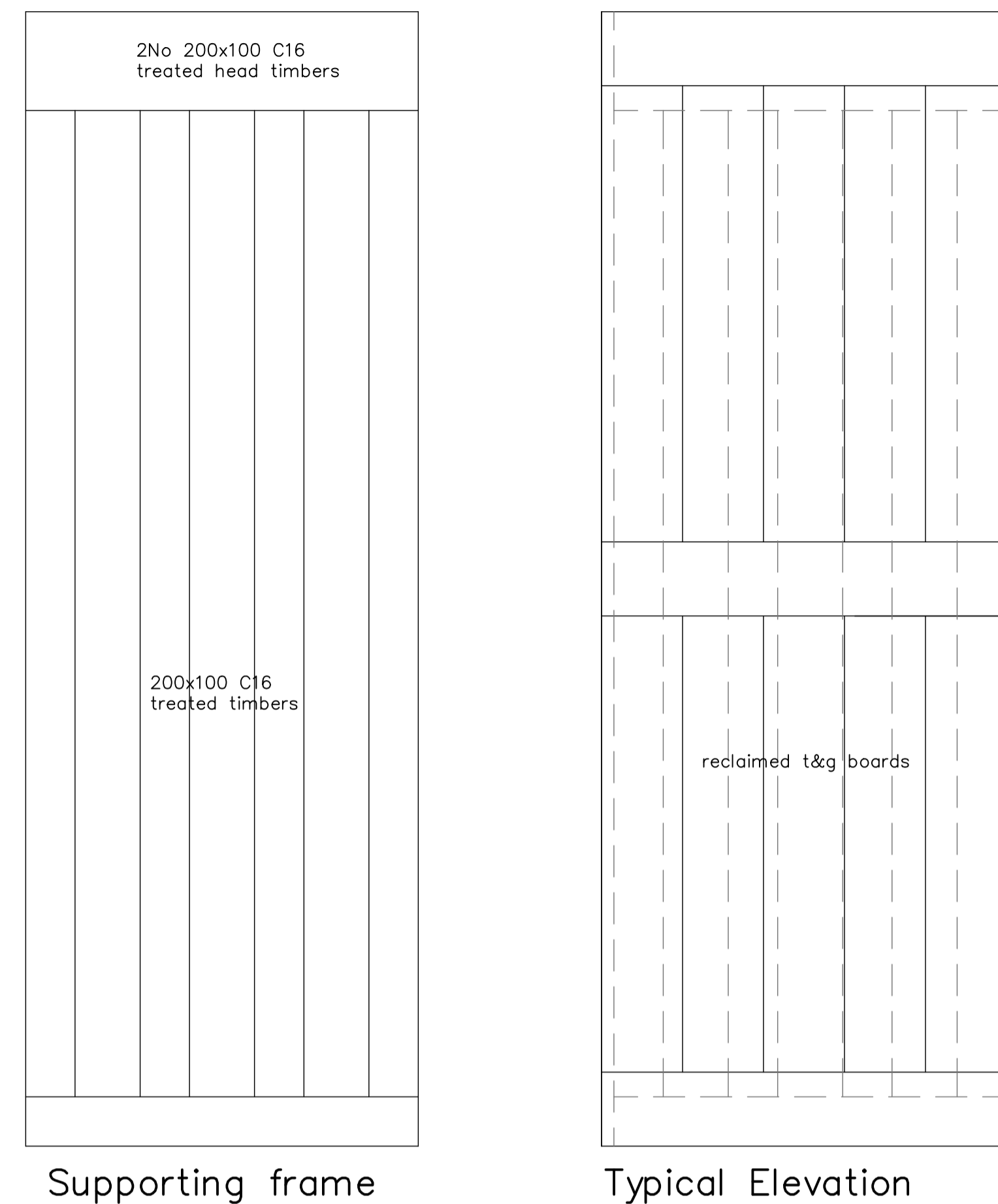
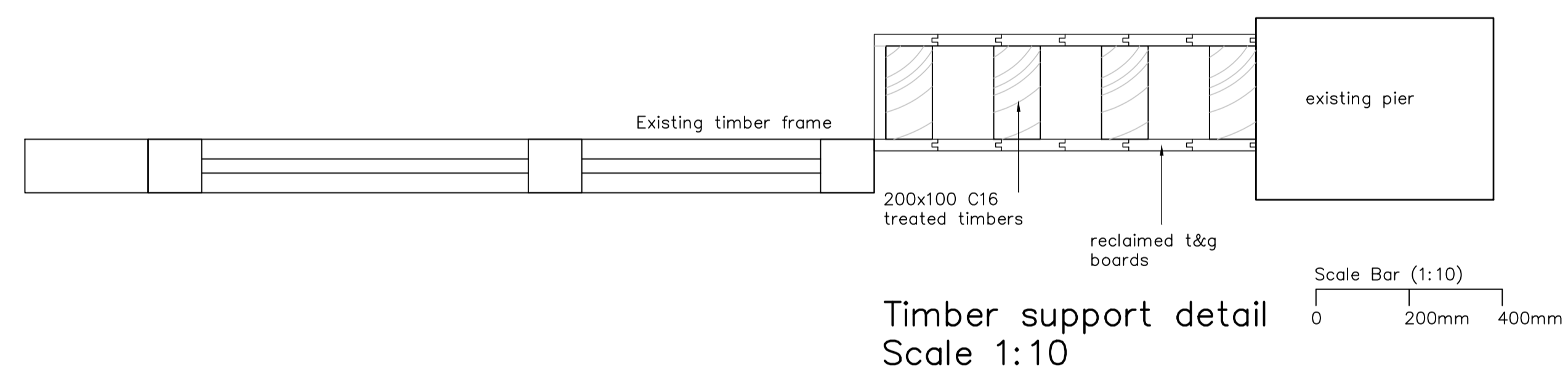


All Dimensions Shall be Checked on Site by the Contractor Prior to Commencement of Work on Site. Do Not Scale If in Doubt Ask.



Sows Ear Architrave Detail  
Scale 1:1



Revisions	Date
<b>Robert Farrow (Design) Ltd</b> Architecture : Planning : Construction 3D Presentation : Topographical Surveys  Millar House, 32 Northgate, Hessle, East Riding of Yorkshire, HU13 9AA Tel: 01482 640699 E-mail: rfd@farrow.karoo.co.uk	
<b>Client:</b> Monks Walk Inn Ltd	
<b>Title:</b> Details Proposed Internal Alterations The Monks Walk Inn, 19 Highgate, Beverley, HU17 0DN	
Scale 1:10 1:1	Drawn by R
Drg no. 7	Date Nov20
Contract no. 20103	