



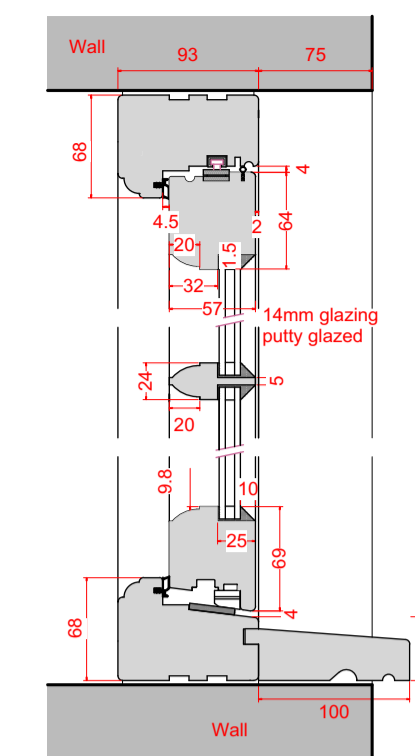
Datum 108.00m

SOUTH WEST ELEVATION 1:100

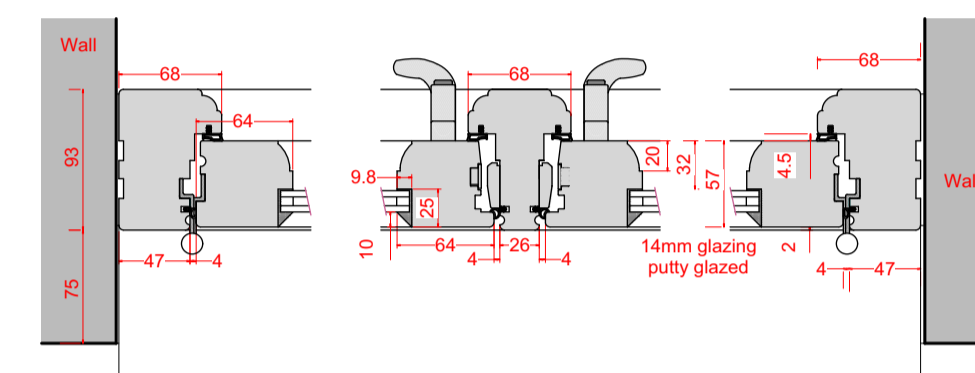


Datum 108.00m

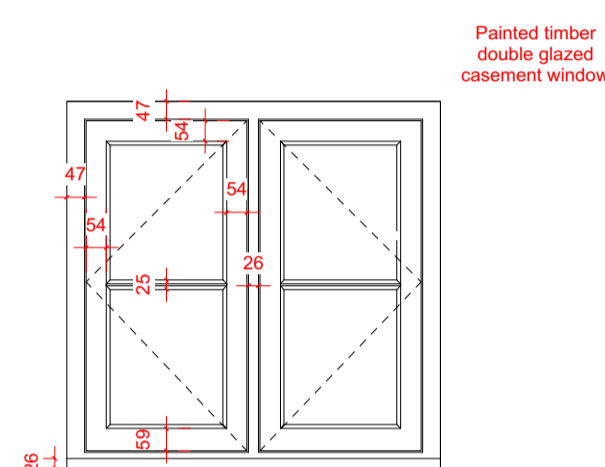
SOUTH EAST ELEVATION 1:100



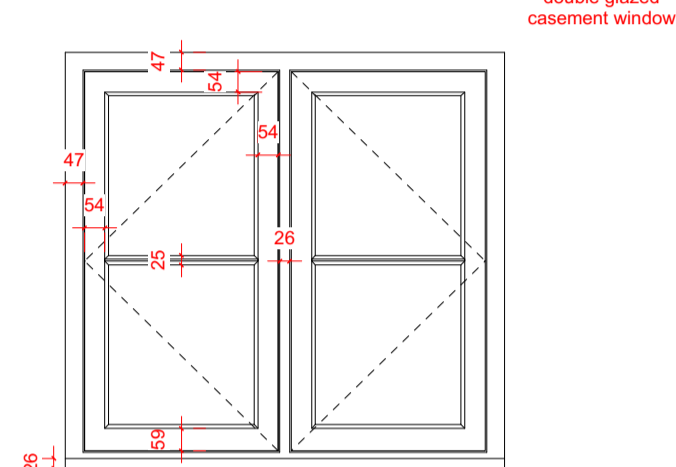
MUMFORD & WOOD WINDOW DETAIL VERTICAL SECTION 1:5



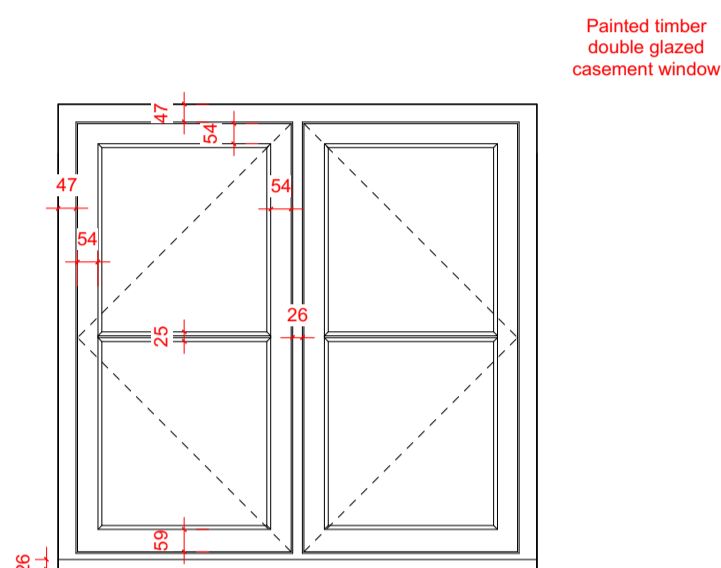
MUMFORD & WOOD WINDOW DETAIL HORIZONTAL SECTION 1:5



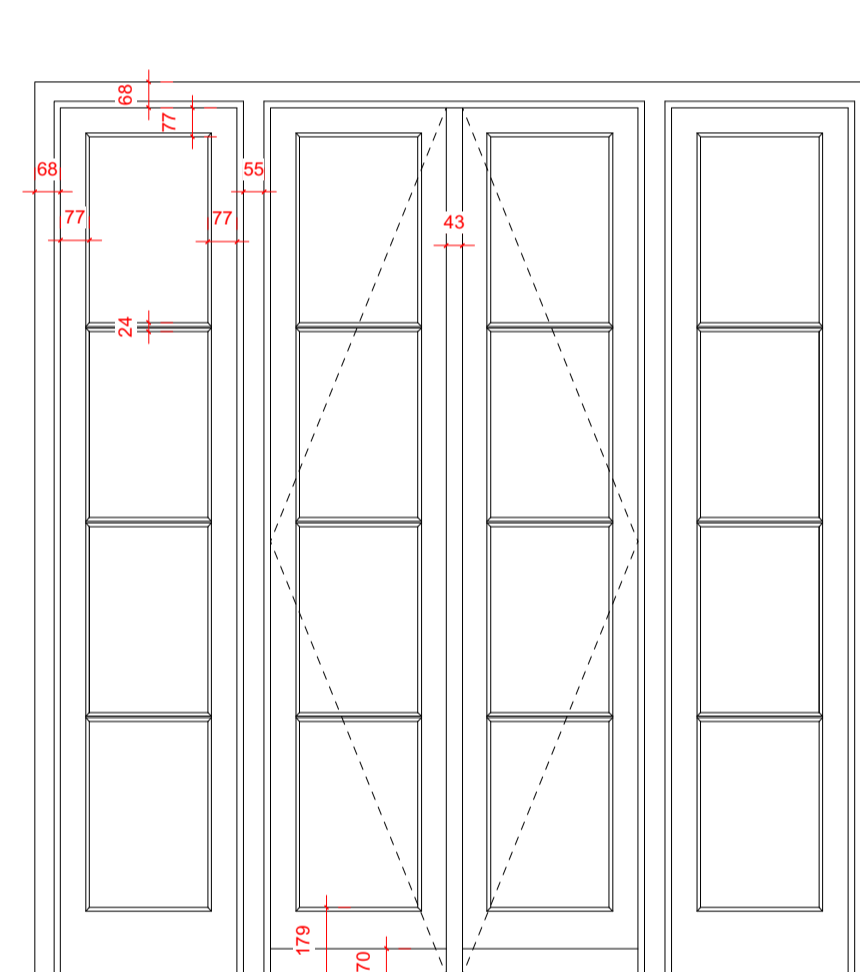
SWG01 WINDOW ELEVATION 1:20



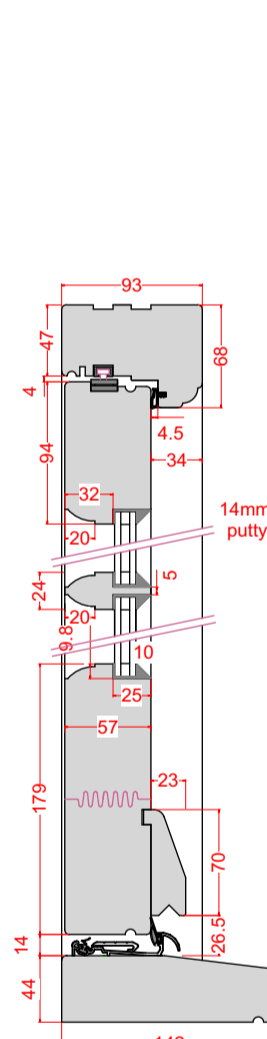
SWG02 WINDOW ELEVATION 1:20



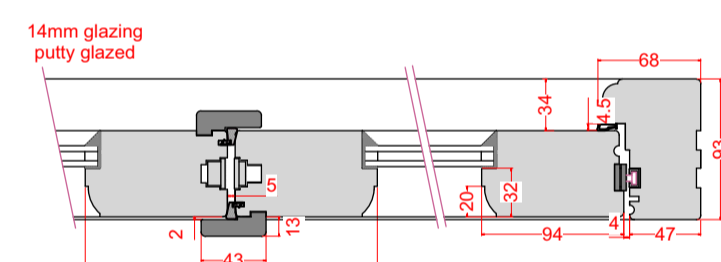
SWF01 WINDOW ELEVATION 1:20



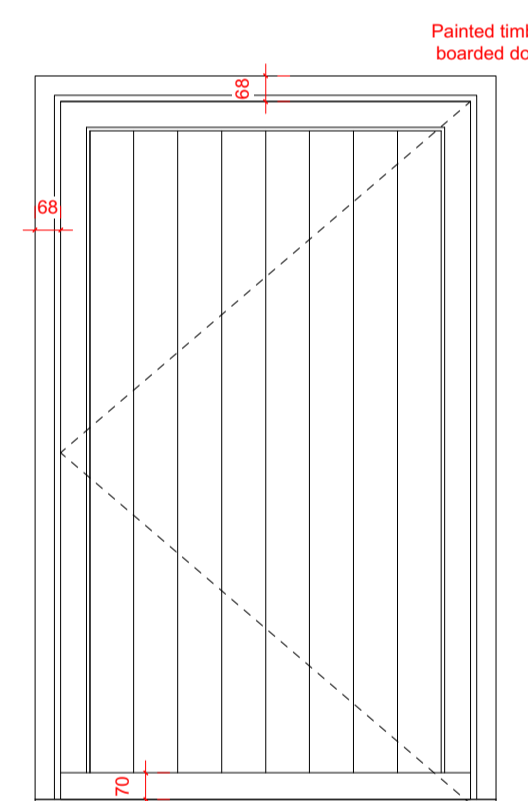
SEDG01 DOOR ELEVATION 1:20



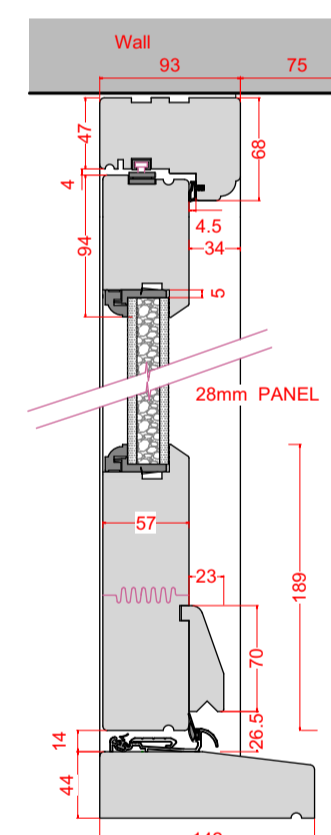
MUMFORD & WOOD GLAZED DOOR DETAIL VERTICAL SECTION 1:5



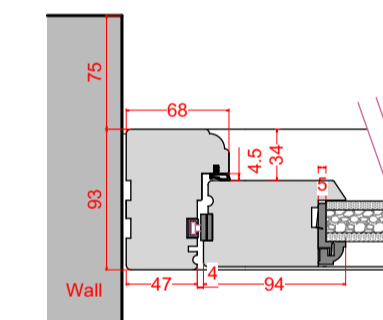
MUMFORD & WOOD GLAZED DOOR DETAIL HORIZONTAL SECTION 1:5



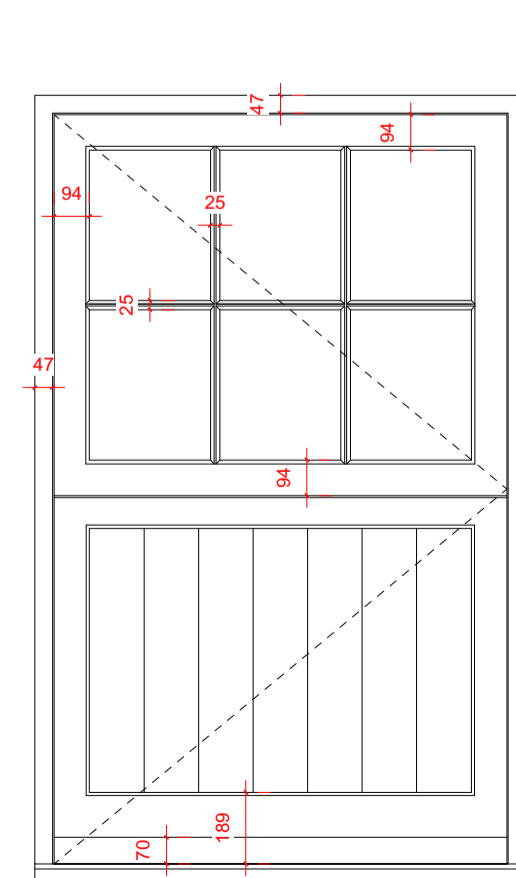
SEDG02 DOOR ELEVATION 1:20



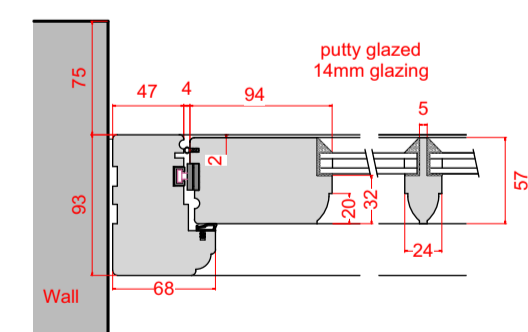
MUMFORD & WOOD BOARDED DOOR DETAIL VERTICAL SECTION 1:5



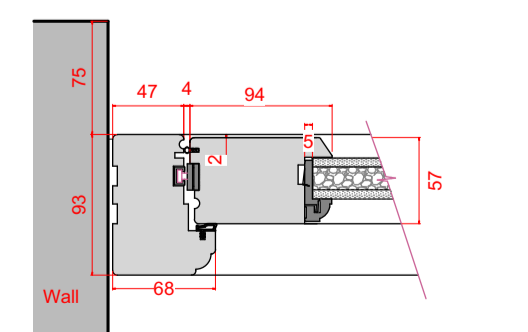
MUMFORD & WOOD BOARDED DOOR DETAIL HORIZONTAL SECTION 1:5



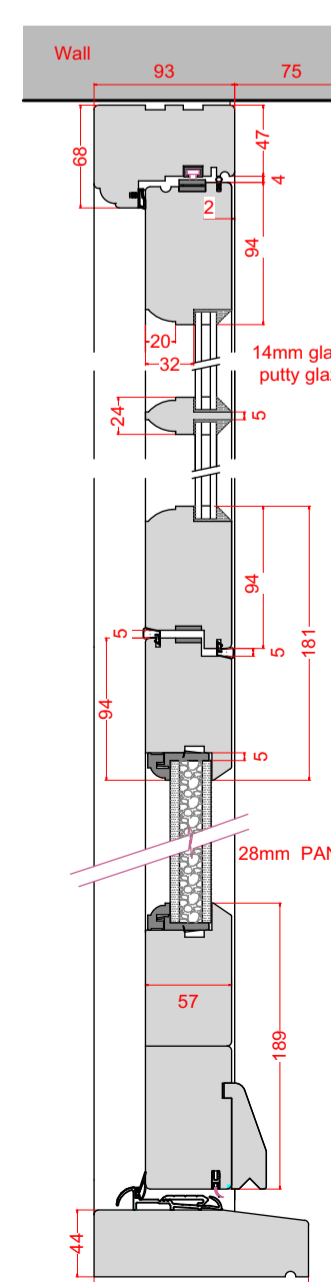
SEDF01 DOOR ELEVATION 1:20



MUMFORD & WOOD STABLE DOOR GLAZED DETAIL HORIZONTAL SECTION 1:5



MUMFORD & WOOD STABLE DOOR BOARDED DETAIL HORIZONTAL SECTION 1:5



MUMFORD & WOOD STABLE DOOR DETAIL VERTICAL SECTION 1:5

PLANNING NOTES  
-  
DEMOLITION NOTES  
-  
CONSTRUCTION NOTES  
-All dimensions must be checked on site and not scaled from this drawing  
MAINTENANCE NOTES  
-

Revisions

**VERITY & BEVERLEY**  
ARCHITECTS DESIGNERS  
The Coach House | 4 The Chipping | Tetbury | Glos. | GL8 8ET  
Telephone 01666 503516 | www.verity-beverley.co.uk

OLD FOXCOTE FARMHOUSE  
FOSCOT  
**STABLES/ANNEX  
RELEASE OF CONDITION**  
WINDOW AND DOOR  
JOINERY DETAILS

Scale: 1:5, 20, 100	20.1475/11
Date: JAN 2021	
Drawn: DR	Revision
Size: A1	

© Copyright