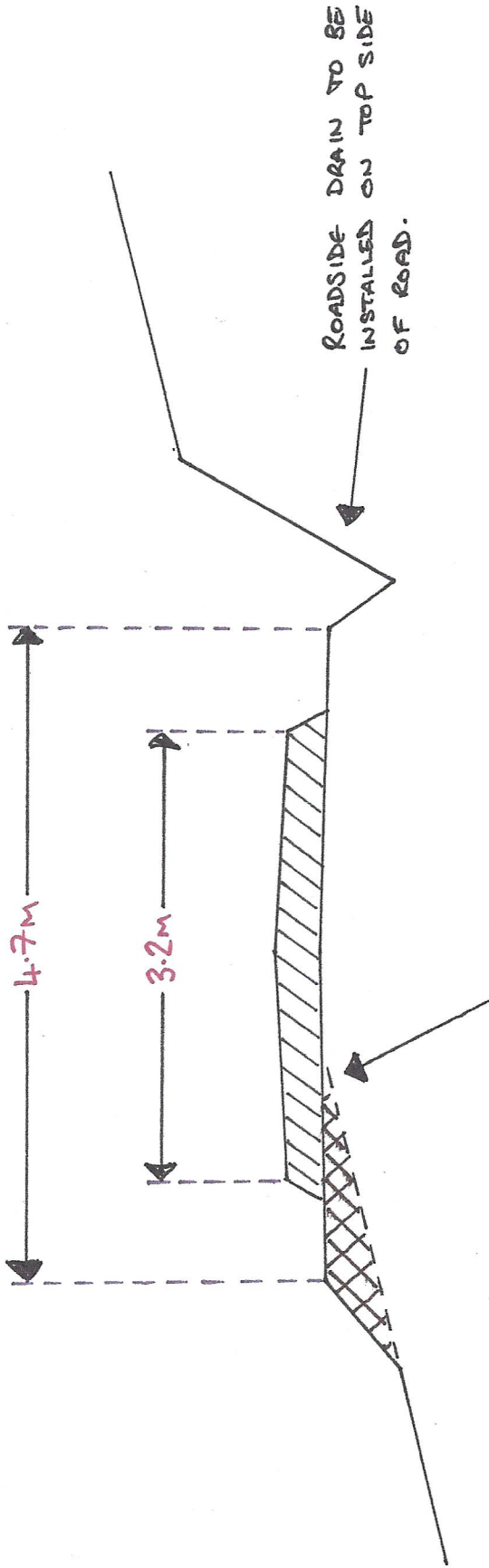


SPECIFICATION OF HOWPASLEY ROAD EXTENSION



CUT & FILL METHOD FOR CREATION OF FORMATION ROAD 4.7M IN WIDTH. A RUNNING SURFACE OF LOCALLY QUARRIED STONE WILL BE LAID ON TOP, 3.2M IN WIDTH. CONSTRUCTION WORKS WILL BE IN ACCORDANCE WITH CURRENT FORESTRY STANDARD.



1:50 SCALE.