

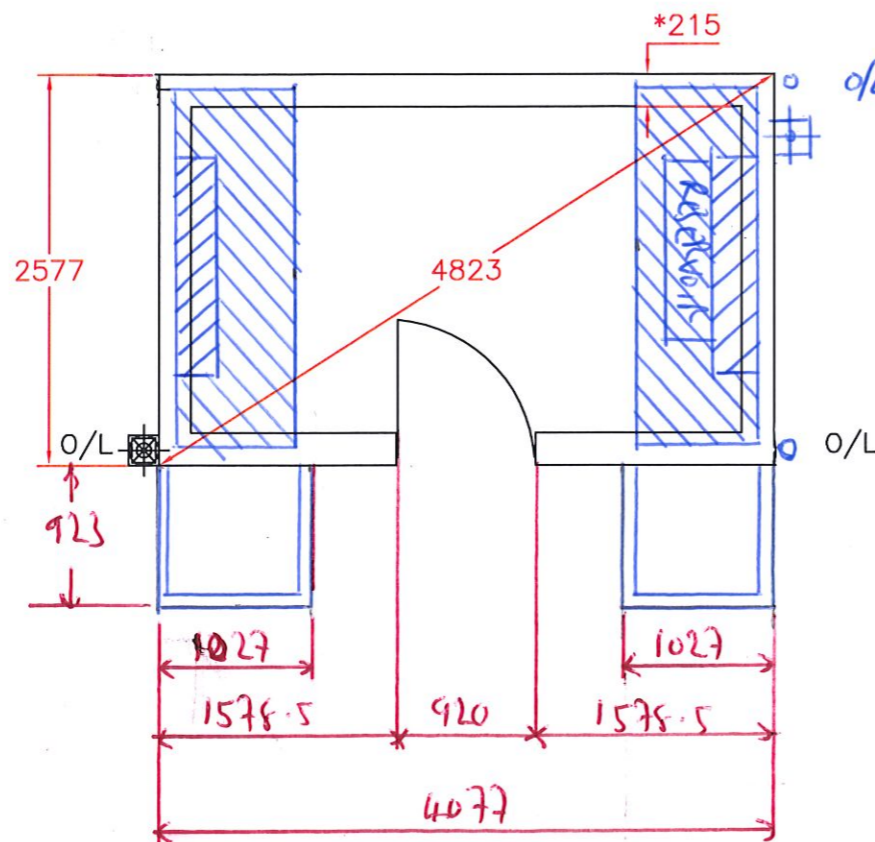


PROPOSAL ONLY

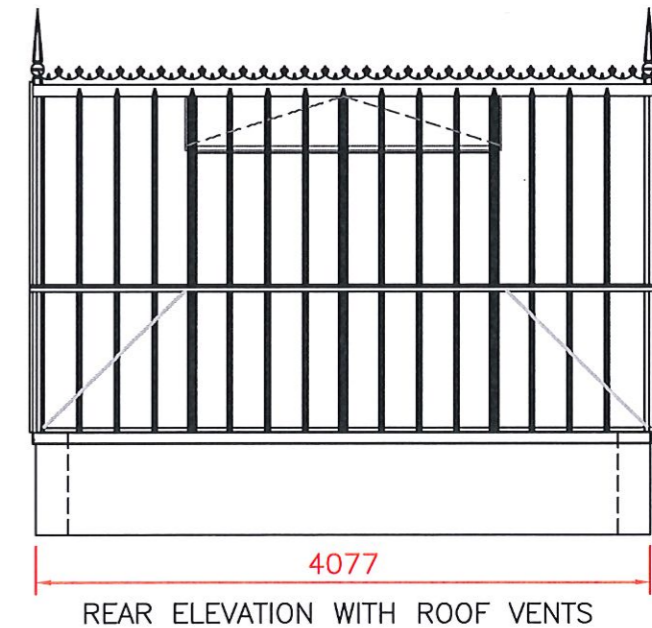
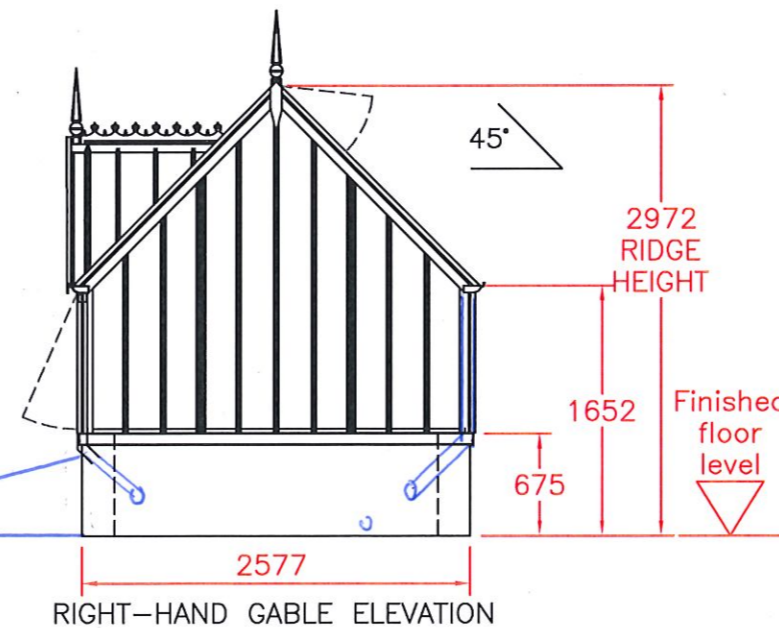
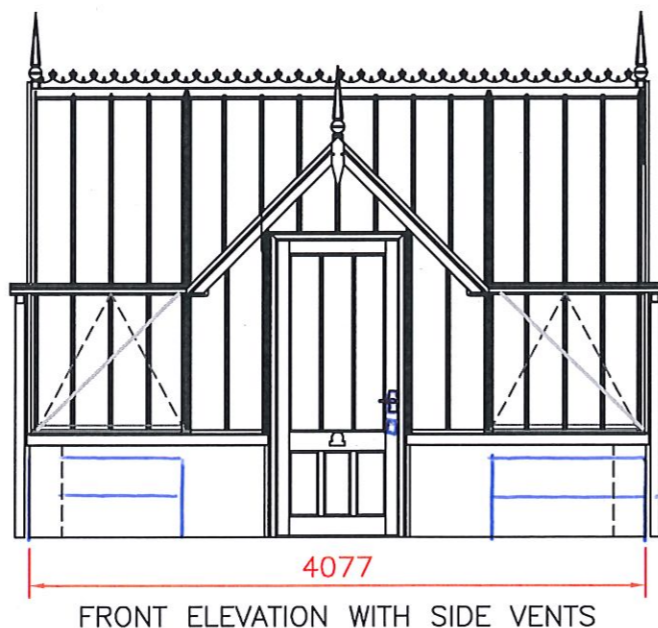
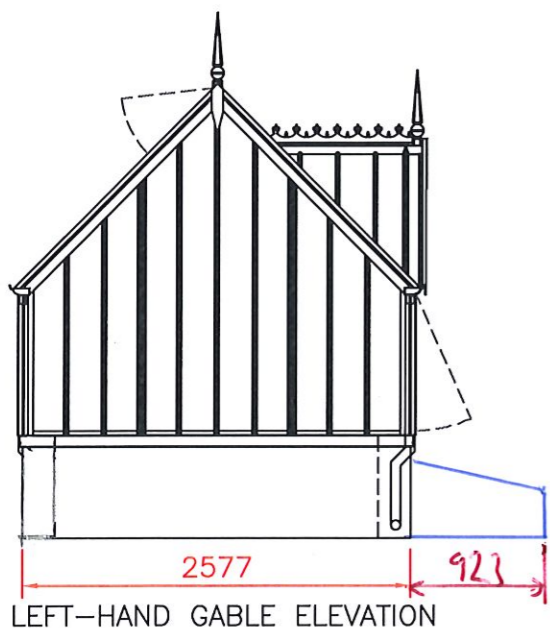
DO NOT BUILD TO THIS PLAN,
SPECIFICATION STILL TO BE CONFIRMED

National Trust Greenhouse features:

1. Glass:
 - 4mm thick clear, toughened safety glass.
 - Bonded beads on outer glass surface at 250mm centres leaving smooth inner surface between heavy bars.
2. Door:
 - Opening in & Hinged on the left. Brass furniture and National Trust omega door badge fitted as standard.
3. Finish: Polyester powder coating. Frame colour - As stated on customer order form. Bench & Cold Frame colour - As stated on customer order form.
4. Materials: Aluminium extrusions with stainless steel fixings.
5. Frame: Alitex "heavy bar" on 1m centres.
- 6 Other fittings: All other fittings are available at additional cost.
7. Down pipes: If no reservoir is specified down pipes to be taken to ground with shoes.
8. Ridge: Finials and Fleur-de-Lys cresting fitted as standard. Ball finial option is available.
9. Ventilator actuation:
 - Roof are automatically operated (Bayliss passive system).
 - Sides are manually operated.
10. Pre-drilled holes in blank gable heavy bars for high level shelving (shelving is optional).



Actual orientation
(Please fill in)



O/L = GUTTER OUT-LET
DIMENSIONS IN MILLIMETRES
PLEASE SEE ATTACHED BUILDING NOTES.
TOLERANCE: + OR - 5mm, EXCEPT AT DOORWAY.
* 215mm - Nominal dimension, wall should be Solid with header course.
* 102mm - Nominal dimension, single course wall Cold frames & Internal Planters Only.

The dimensions shown on this drawing are those of the required base wall. As our structures are manufactured to accommodate these dimensions the completed base MUST correspond exactly (by steel tape measure) to the measurements on this drawing. If the base wall is incorrect in any way, the expense of alterations and delays in installation etc., are the responsibility of the builder and/or the customer.



ALITEX™ GREENHOUSES AND CONSERVATORIES		TITLE NATIONAL TRUST - THE MOTTISFONT (Greenhouse Proposal drawing)	
DRAWN FMcB	DATE 22.10.12	SCALE 1:50 @A3	DWG NO. Mottisfont Proposal - 1 of 1
CHECKED	CHECKED	CUSTOMER / ORDER No. Ms Hunter 27225	