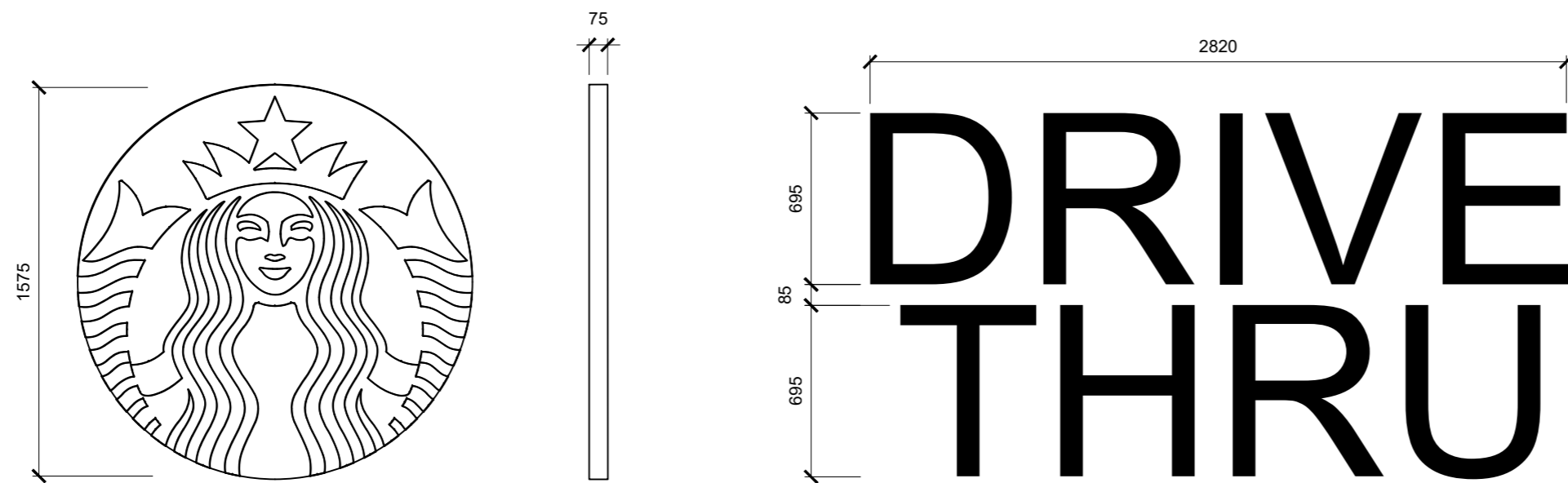
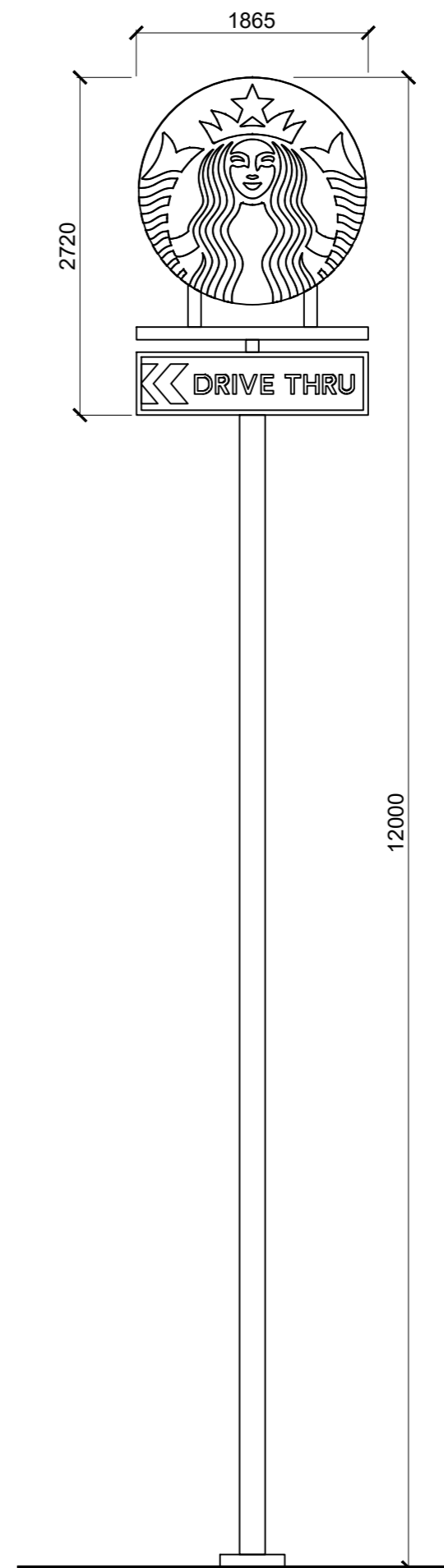


11 SIGN - WORDMARK SURFACE MOUNTED INTERNALLY ILLUMINATED  
1:25  
SIGNS INTERNALLY ILLUMINATED  
SIGNAL BLACK - RAL9004

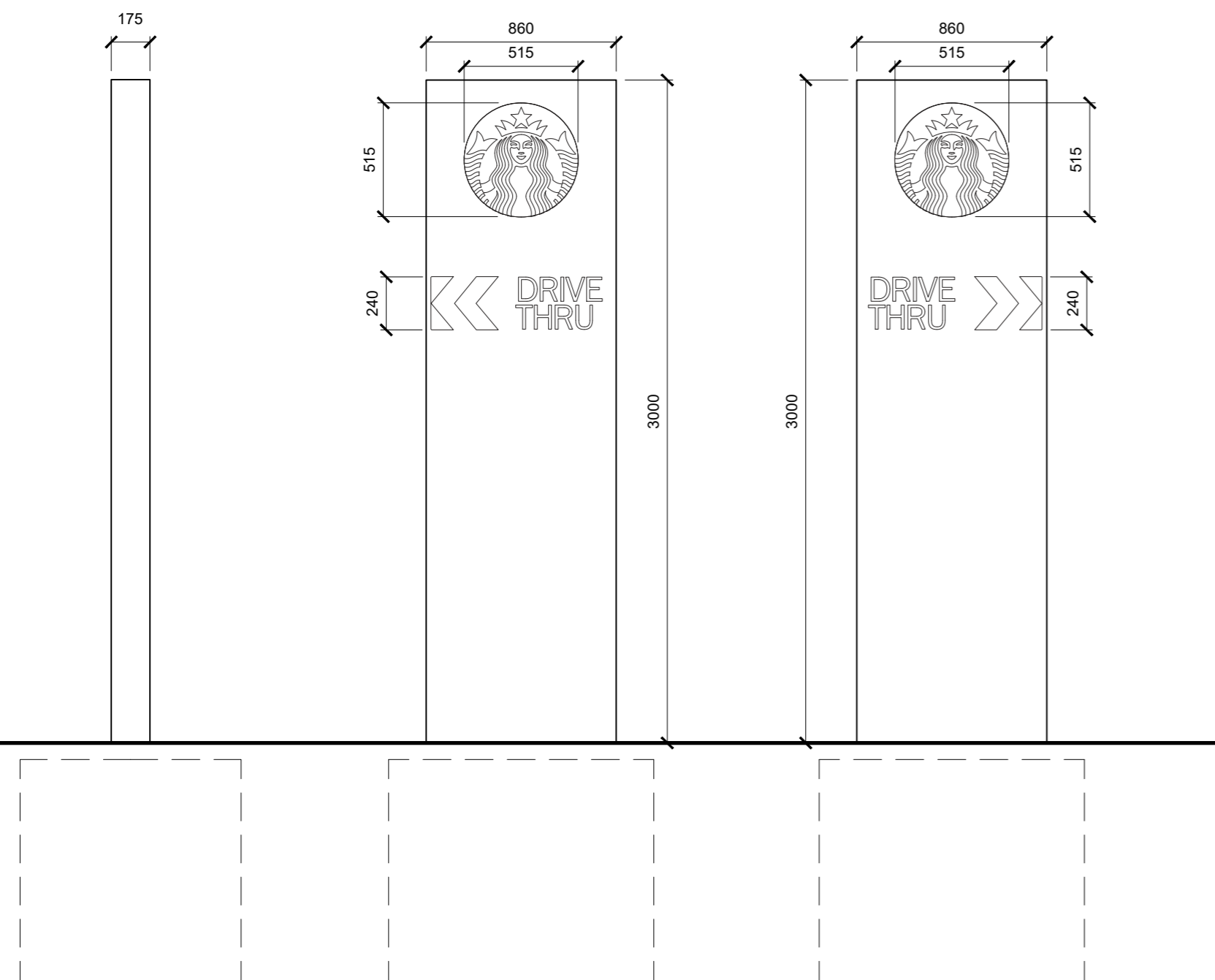


10 INTERNALLY ILLUMINATED LOGO DISK  
1:25  
SIGNS INTERNALLY ILLUMINATED  
COLOURS  
EMERALD GREEN - RAL6001  
SIGNAL BLACK - RAL9004

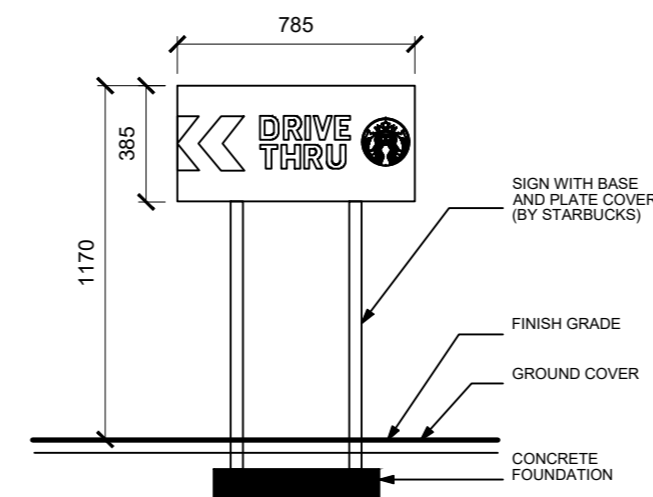
9 SIGN - DRIVE THRU  
1:25  
SIGNS INTERNALLY ILLUMINATED WORDMARK  
SIGNAL BLACK - RAL9004



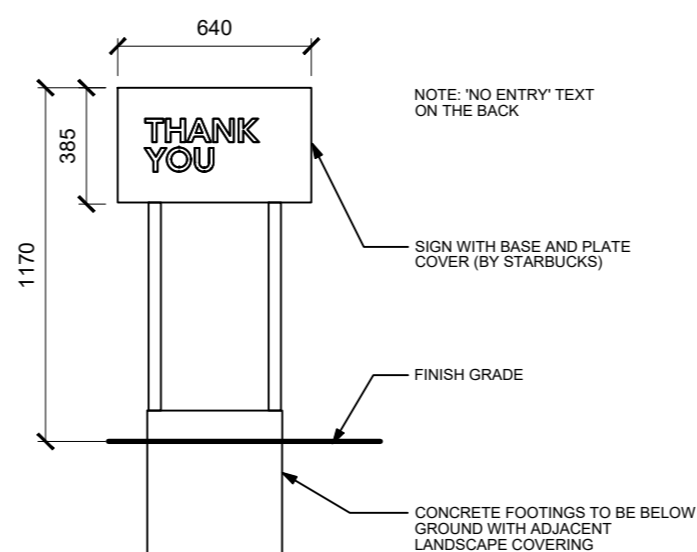
6 SIGN - PYLON DISK DT  
1:50  
SIGNS INTERNALLY ILLUMINATED  
COLOURS  
EMERALD GREEN - RAL6001  
SIGNAL BLACK - RAL9004



5 MONUMENT SIGN  
Scale: 1:25  
SIGNS INTERNALLY ILLUMINATED  
SIGNAL BLACK - RAL9004



7 DT - DIRECTIONAL SIGN - ENTRY  
1:25  
SIGNS INTERNALLY ILLUMINATED  
SIGNAL BLACK - RAL9004



8 DT - DIRECTIONAL SIGN - EXIT  
1:25  
SIGNS INTERNALLY ILLUMINATED  
SIGNAL BLACK - RAL9004



**STARBUCKS**

ADVERTISING APPLICATION		
Rev.	Description	By Date

**OLA**

OPFER LOGAN ARCHITECTS

130 CUBIE STREET | GLASGOW | G40 2AF  
T : (0141) 332 9300 F : (0141) 342 2299 E : info@olarchitects.com

Client BURTON & SPEKE LTD  
Project DRIVE-THRU STARBUCKS  
DUNBAR  
Title TOTEMS AND SIGNAGE  
Project No. 22013  
Scale 1:25 & 1:50 @ A2  
Drawing No. PL-SIGN-03\_AD  
Date DECEMBER 2020  
Drawn By: DW Checked By: DW

COPYRIGHT OF DESIGN & DRAWING RESERVED  
UNAUTHORISED COPYING, DISTRIBUTION OR RECEIPT OF THIS DRAWING  
WITHOUT THE WRITTEN CONSENT OF OLA LTD MAY CONSTITUTE AN  
INFRINGEMENT OF COPYRIGHT. IF IN DOUBT PLEASE CONTACT OLA LTD