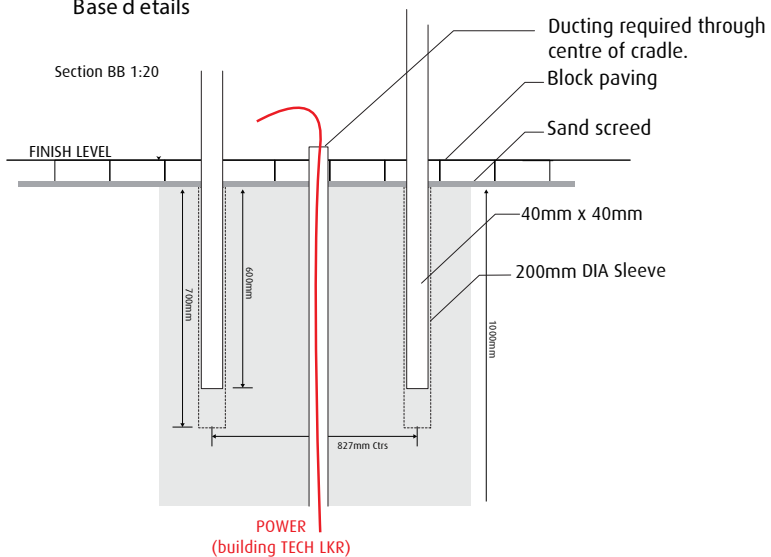


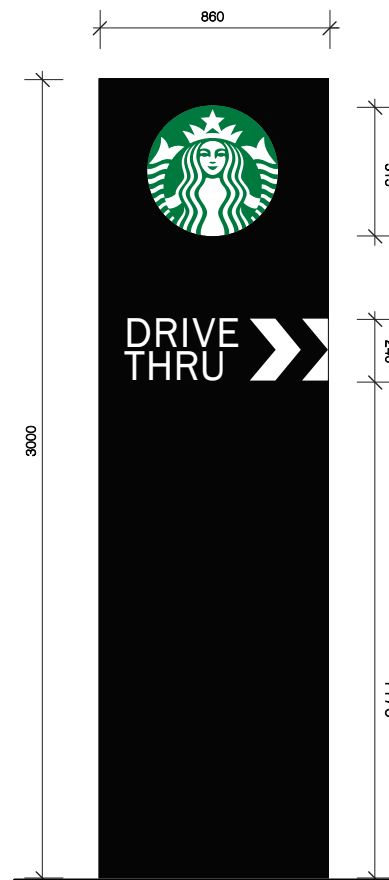
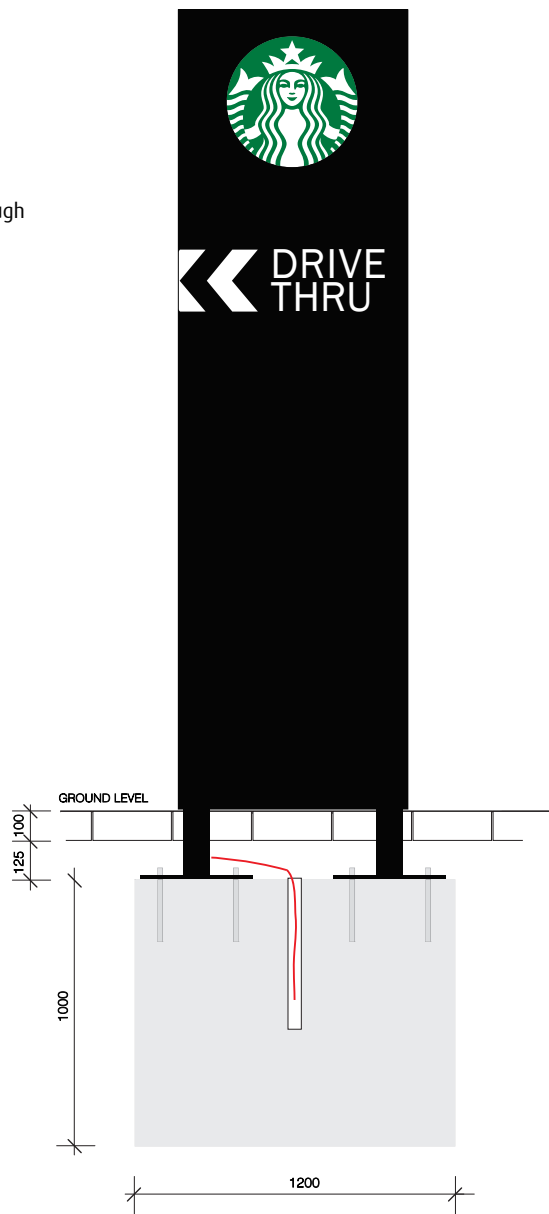
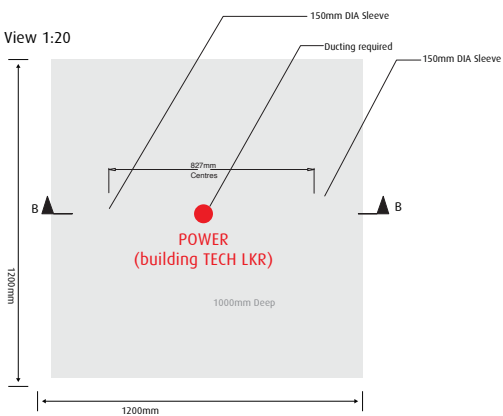
MONUMENT SIGN

3000 High Monument Base/Cage Details - 1:20

Base details



Plan View 1:20



ALL DIMENSIONS TO BE CHECKED ON SITE.
DO NOT SCALE FROM THIS DRAWING EXCEPT FOR THE PURPOSES OF LOCAL AUTHORITY PLANNING

rev	date	description
-	-	-

avonsigns

Unit 8, St. Georges Business Park, Lower Cape, Warwick, CV34 5DR
Tel: (01926) 888226 - Fax: (01926) 888561

client **STARBUCKS**

store address

drawing title
PROPOSED Monument Sign

drawn by A. Rajput	checked -	date 01.08.2018
store no. -	scale 1:10	status -

drawing no.
Sheet 2

revision
-