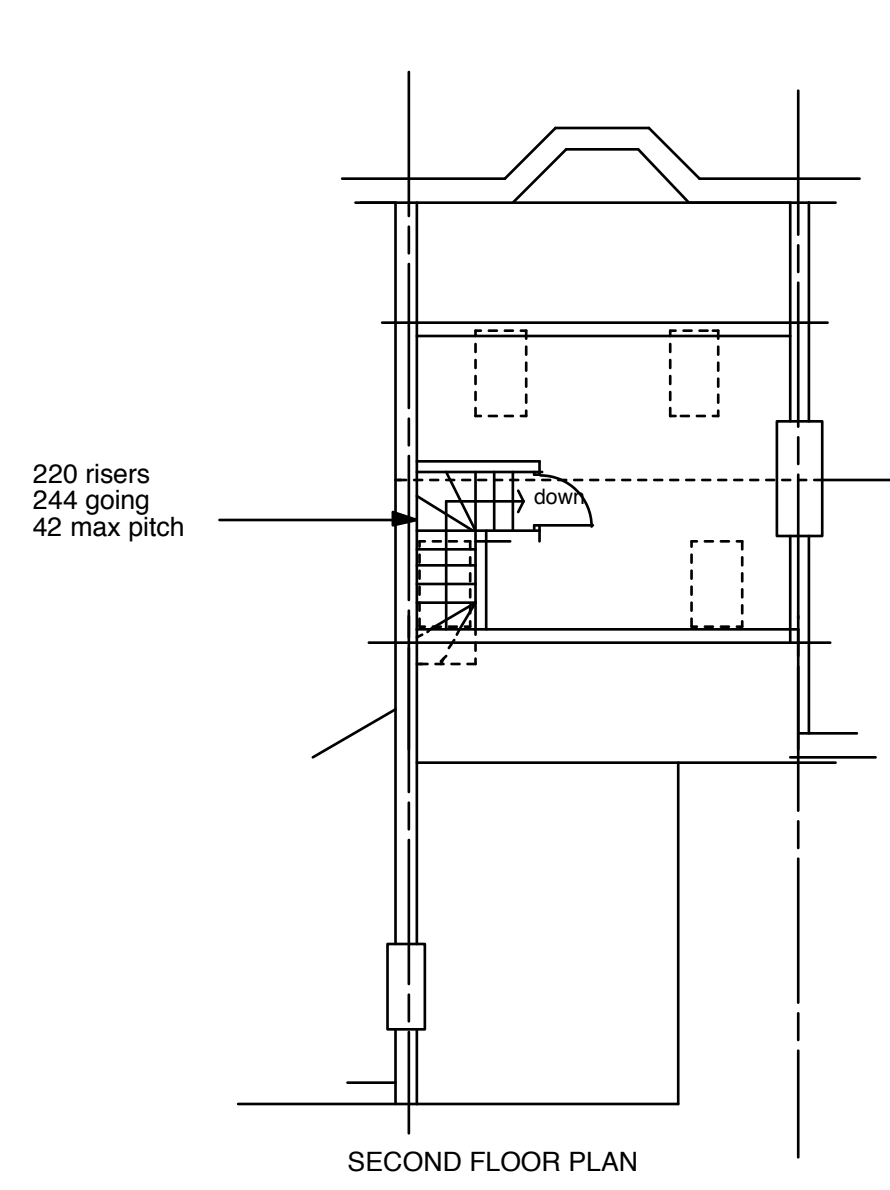
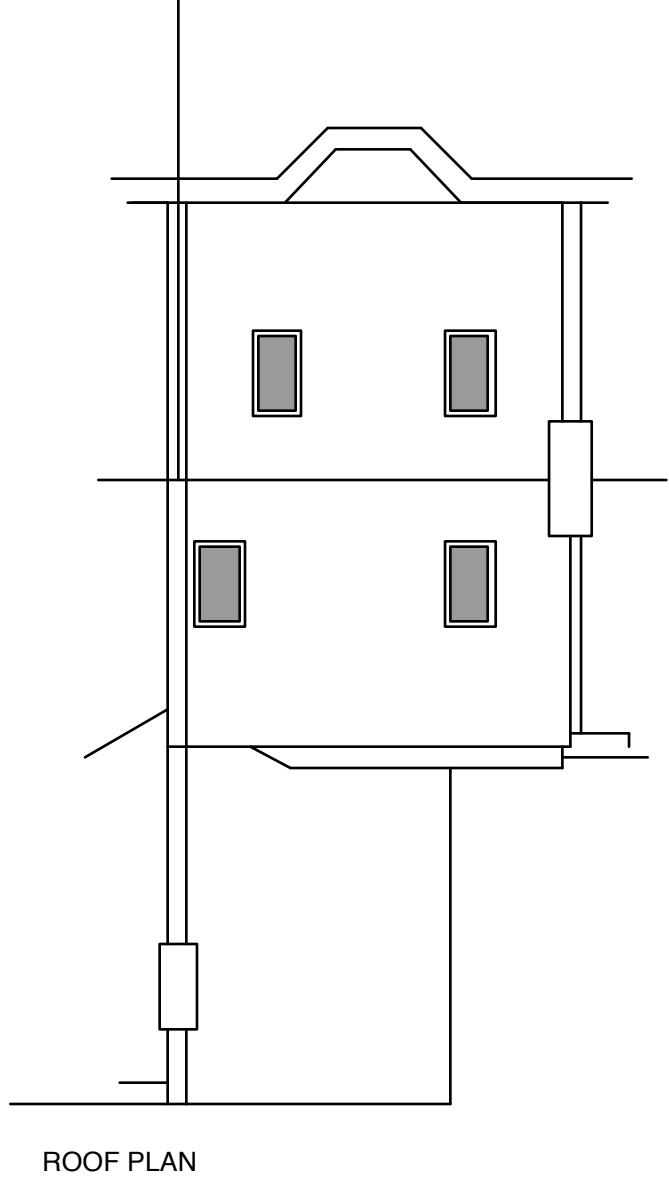


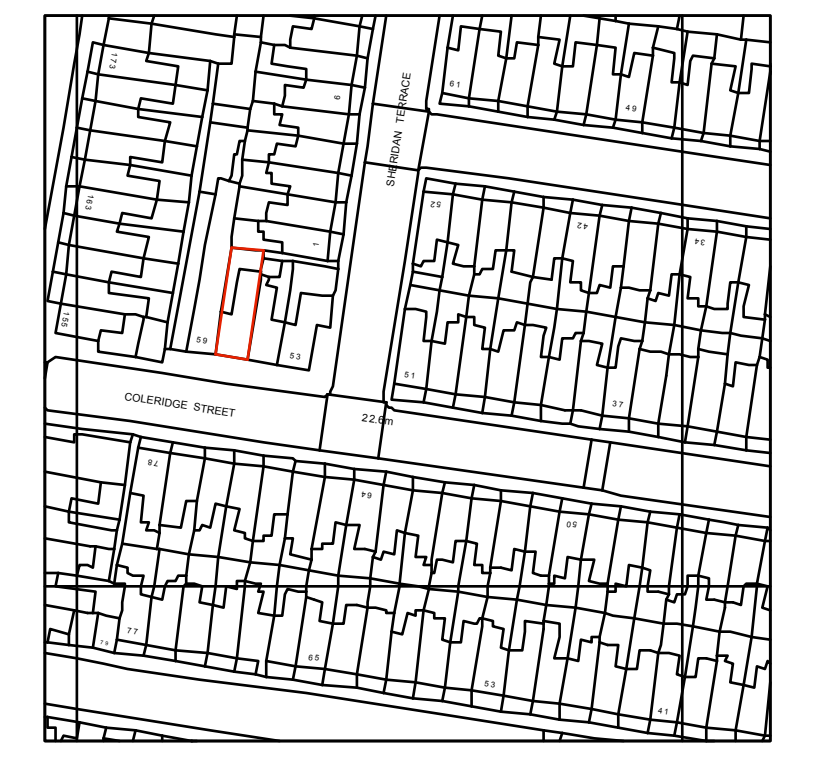
FIRST FLOOR PLAN



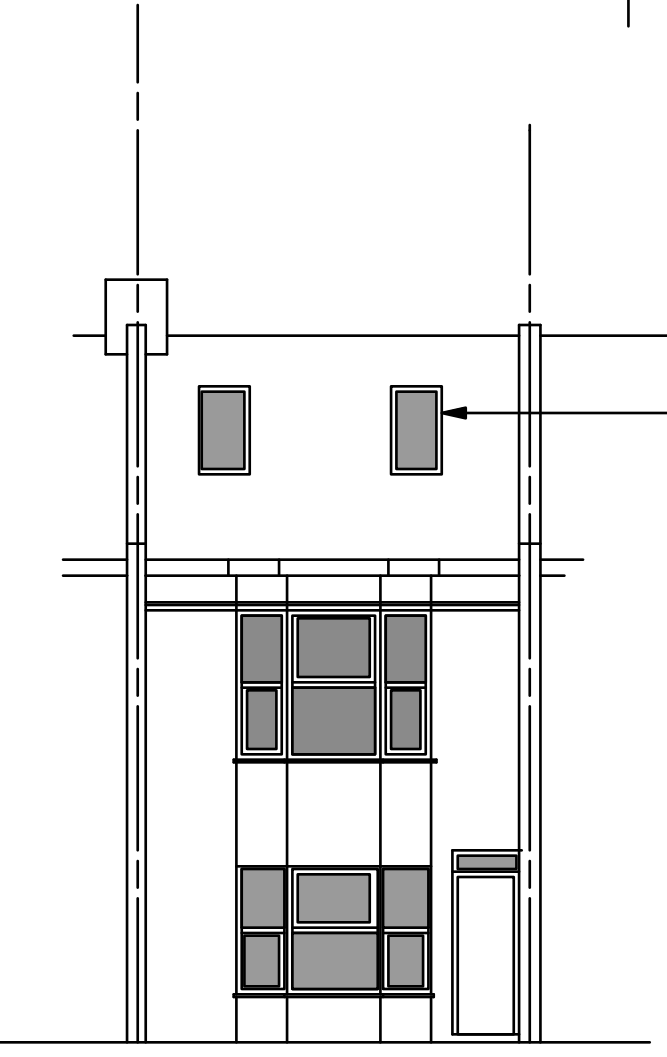
SECOND FLOOR PLAN



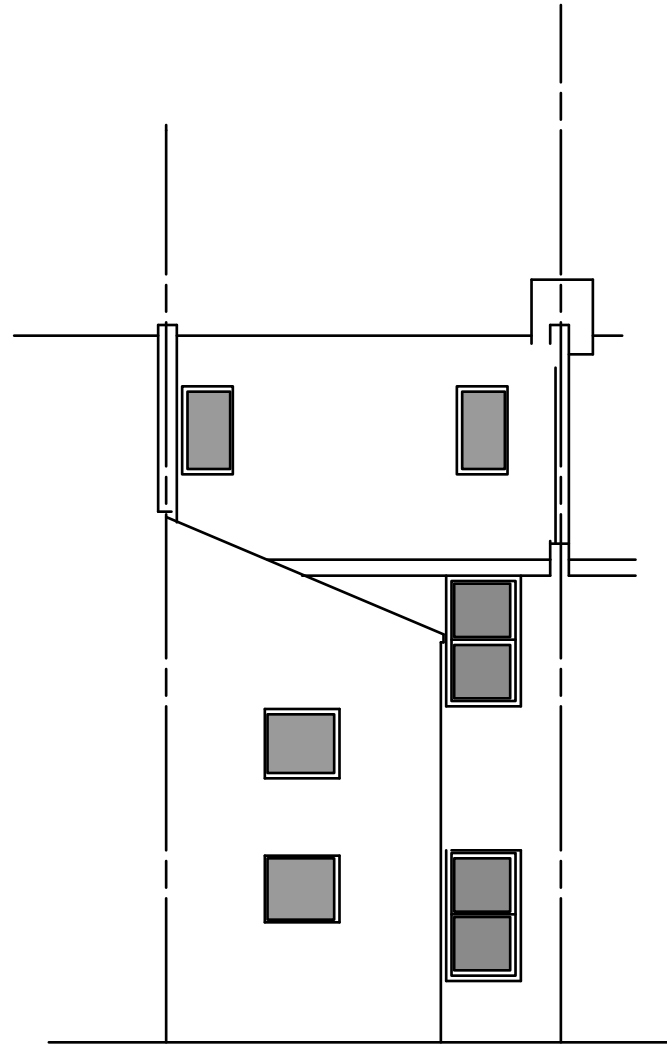
ROOF PLAN



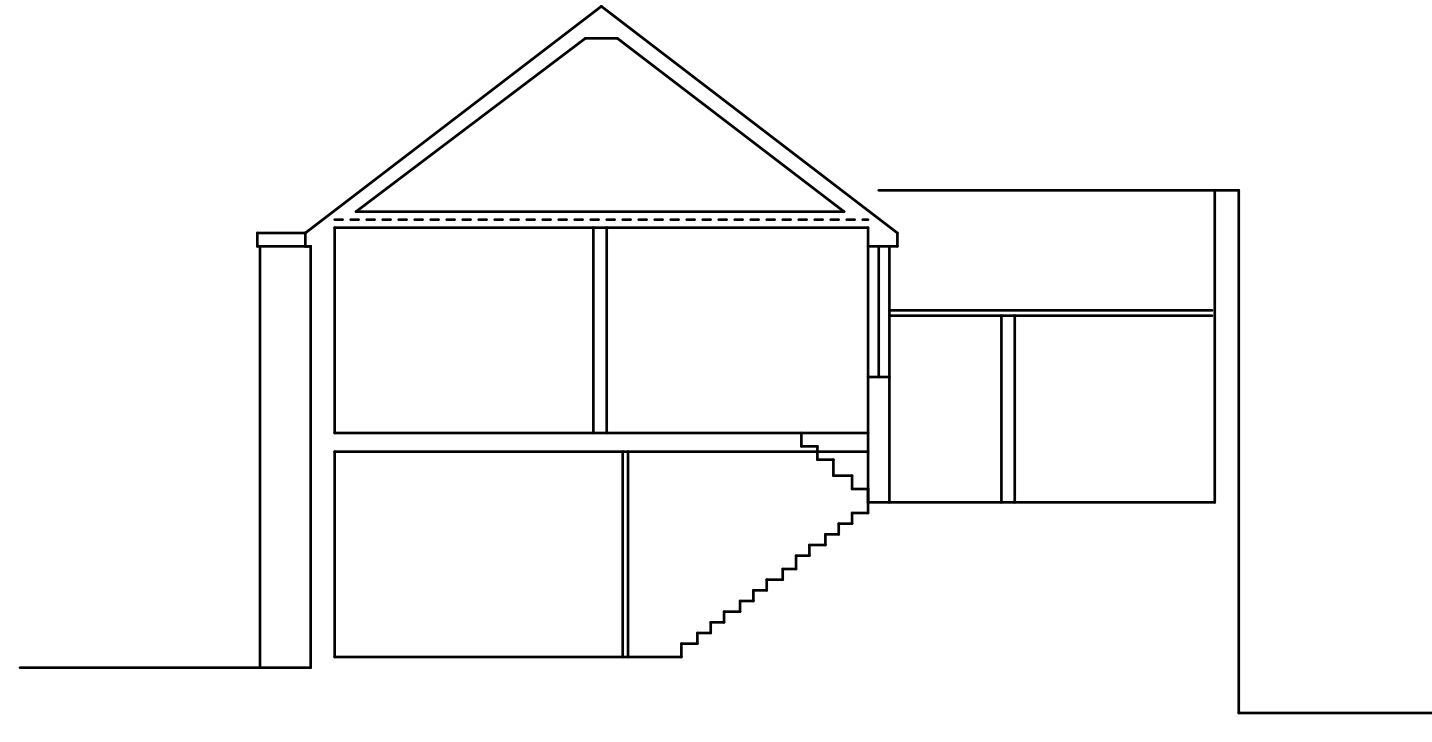
SITE PLAN scale 1:1250
0 20 40 60 80 100 120M
A1 Drawing



FRONT ELEVATION



REAR ELEVATION



ROOF PLAN

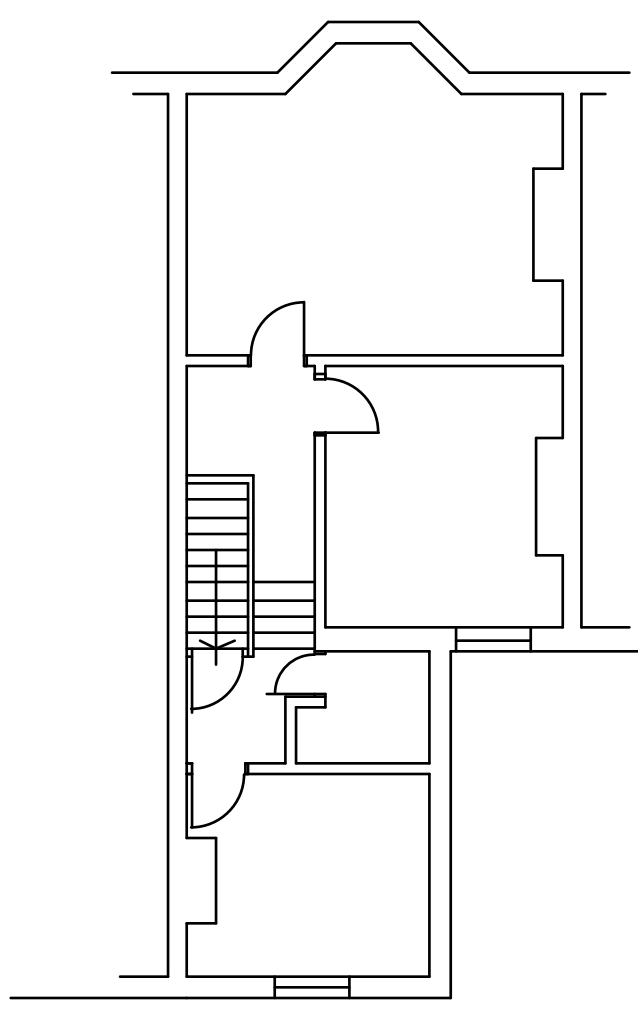


BLOCK PLAN scale 1:500
0 5 10 15 20 25M
A1 Drawing

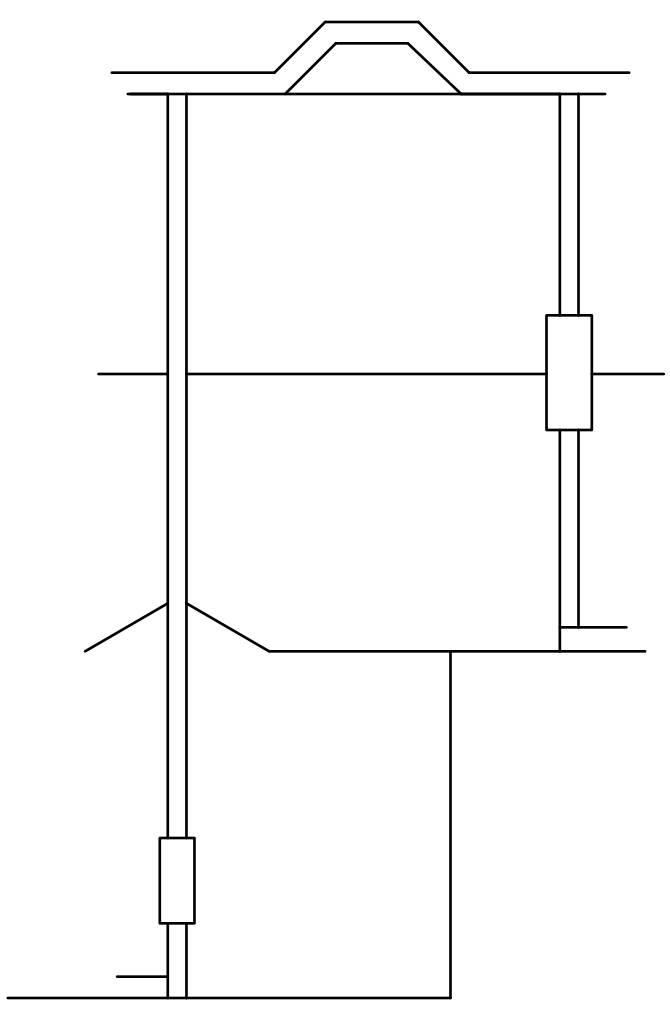


PROPOSED

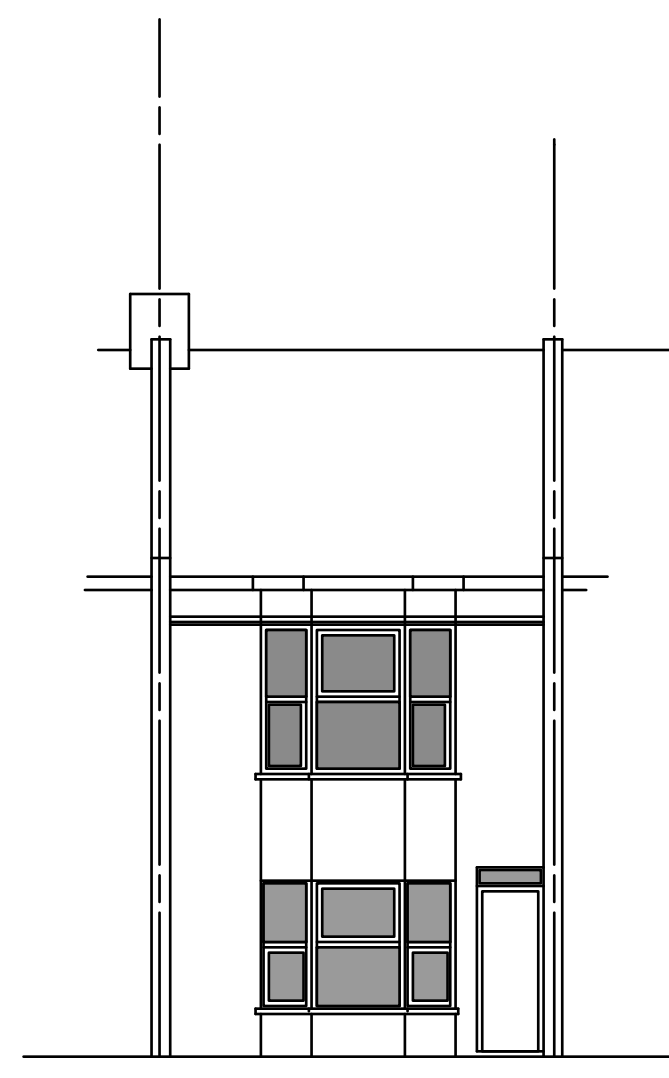
EXISTING



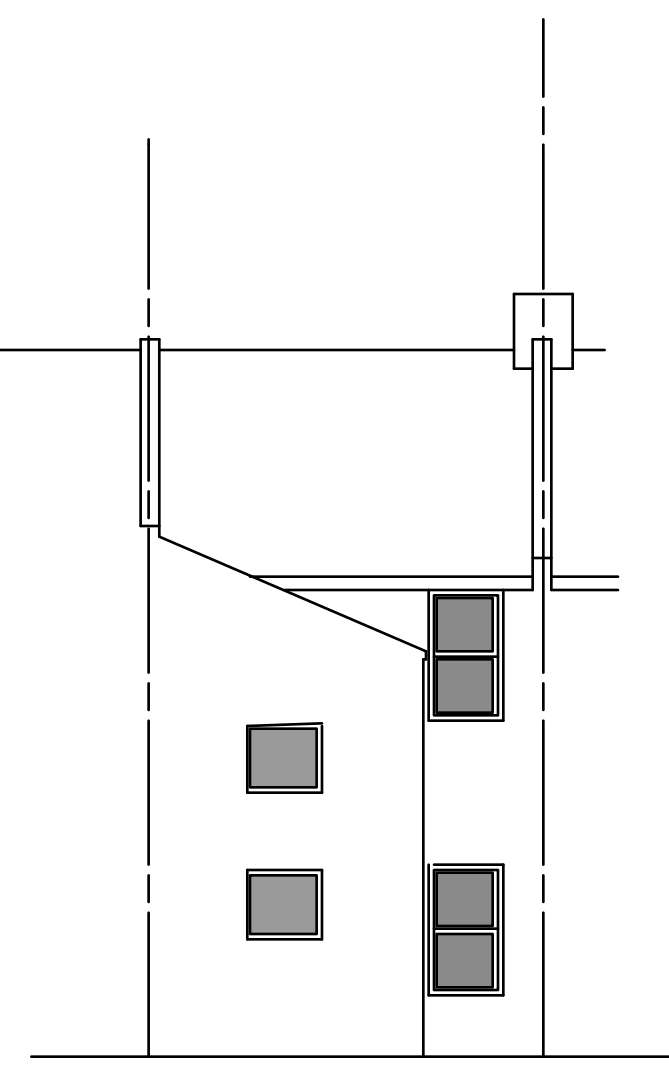
FIRST FLOOR PLAN



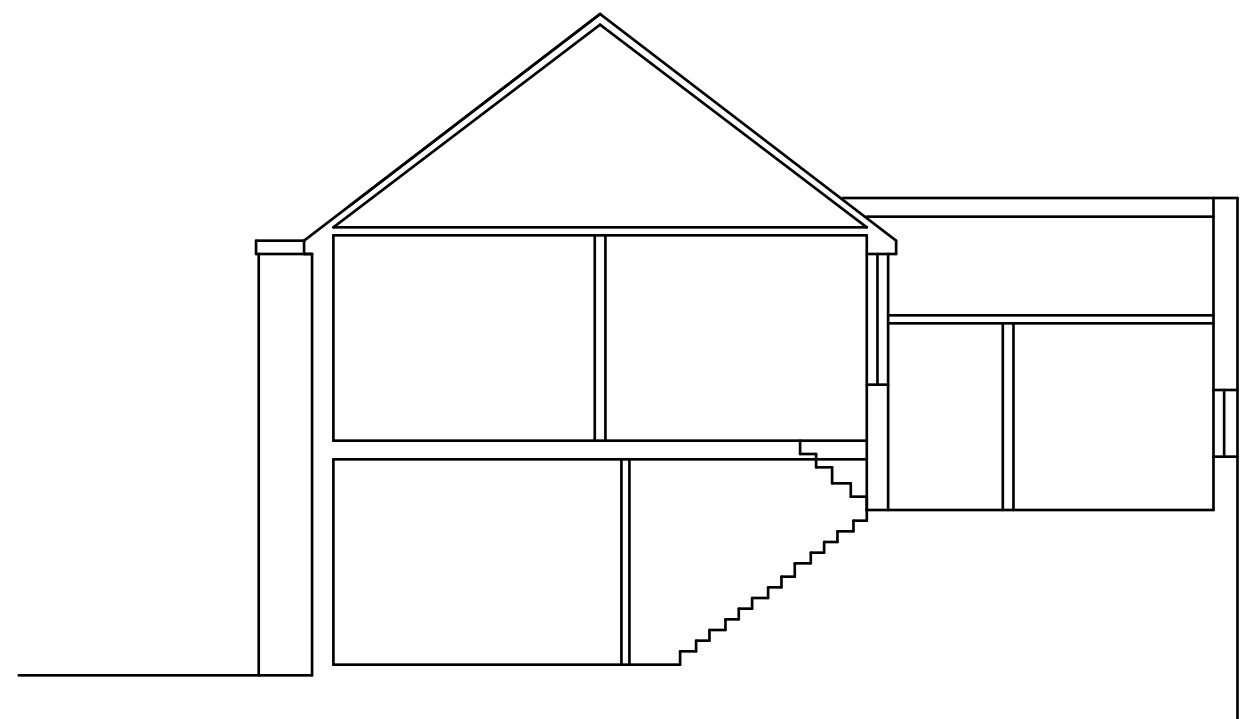
ROOF PLAN



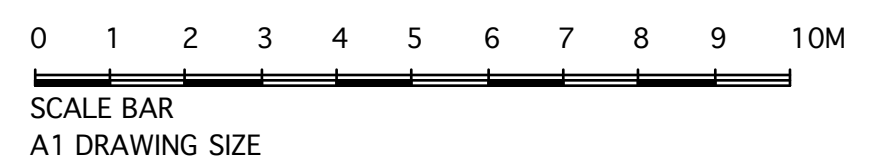
FRONT ELEVATION



REAR ELEVATION



SECTION A - A



Do not scale from these drawings. The contractor is to check all dimensions, levels and conditions on site and advise of any discrepancies prior to the commencement of any work on site. All work is to be carried out in strict accordance with the relevant, current British Standards and codes of practice. Materials and components are to be fixed in strict accordance with the manufacturers instructions and recommendations and relevant body. This drawing is for planning/building control purposes only. All relevant clauses of the National Building Specification to apply to all works. **Data Protection Act** - no project drawings or client details will be issued by us to anyone other than the client, unless given written instruction by the client for distribution. **Party Wall Details** - to be dealt with by a Part Wall Surveyor to be appointed by Client. **Contractor** to comply with all Health and Safety Issues and to employ competent personnel. **Client** to employ a Principal Designer in accordance with the latest CDM regulations and to ensure all permissions are in place prior to commencement of the works

AMENDMENTS

57A COLERIDGE STREET	
Client	Description
	EXISTING & PROPOSED



Date	Scale	Job No.	Drawing No.	Revision
Dec 2020	1:100	2046	01	