

NOTES  
 This drawing is copyright of the author and shall not be reproduced, stored in a retrieval system, or transmitted in any form or by any means, electronic, mechanical, photocopying, recording, or by any information storage and retrieval system, without the prior written permission of the author.

Specification  
 This drawing must be read in conjunction with the relevant Specification, Notes, Bill of Materials, and any other drawings or documents issued separately. It shall be read in conjunction with all related Architects' consultant's and specialist's drawings and documents.

Client: UNITED WELSH HOUSING ASSOCIATION  
 Job: PROPOSED ALTERATIONS AT ADAMS COURT

**NOTES**  
 THIS DRAWING SHALL BE READ IN CONJUNCTION WITH THE FOLLOWING ARCHITECTS DRAWINGS:  
 (99)001 PROPOSED SITE LAYOUT  
 (92)101  
 (92)102  
 (92)103

**SPECIFICATION OF STEEL GATES & RAILINGS**  
 FOR FULL SPECIFICATION SEE Q40/340 - MILD STEEL VERTICAL BAR RAILINGS TO B.S 1722 PART 9.

VERTICALS TO BE 22mm (7/8") SQUARES WITH FLAT TOPS, CENTRES OF VERTICALS TO BE 120mm. MAIN POSTS TO FENCE TO BE 100X50 SECTIONS. MAXIMUM POST CENTRES 2000mm. FENCE PANELS TO BE WELDED CONSTRUCTION WITH 50x10mm M.S HORIZONTAL RAILS.

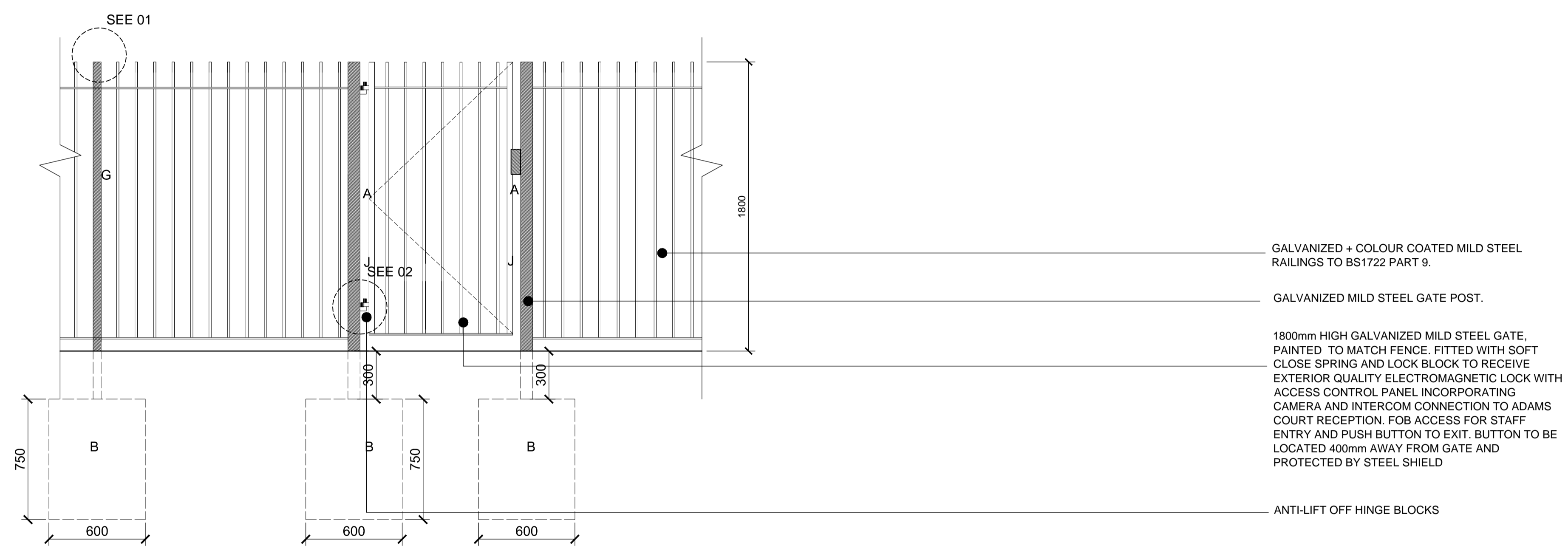
WELDED PANELS SHALL BE MANUFACTURED BY PASSING THE VERTICALS THROUGH HOLES DRILLED INTO THE TOP HORIZONTAL RAIL AND WELDING THE BOTTOM ENDS TO THE BOTTOM HORIZONTAL. ALL VERTICALS TO BE WELDED TO THE TOP RAIL. HORIZONTAL RAILS TO BE FIXED TO POSTS WITH FISH PLATES OR CLEATS, AND M10 BOLTS TO BS 4190 OR BS 4933.

BOTTOM RAIL TO BE 100mm OFF THE FINISHED GROUND LEVEL.  
 TOP HORIZONTAL RAIL TO BE 200mm FROM TOP OF FENCE.

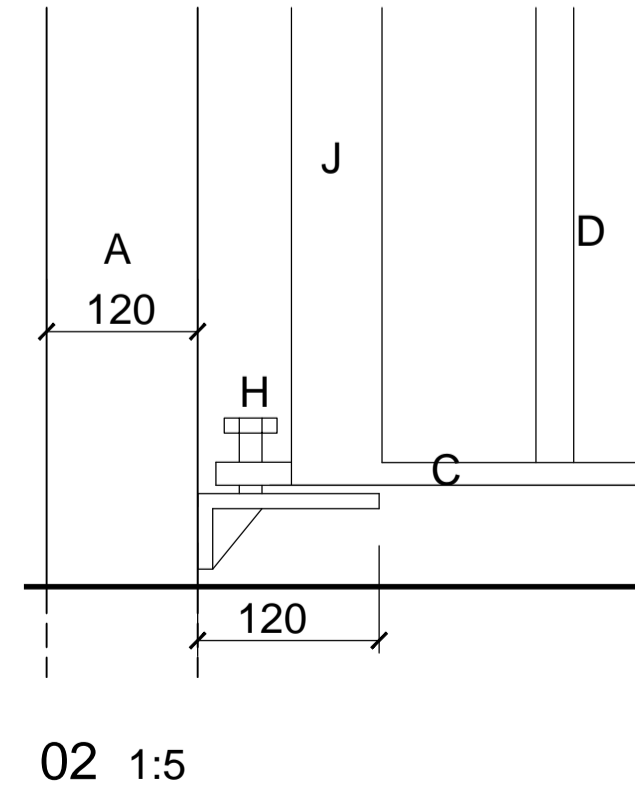
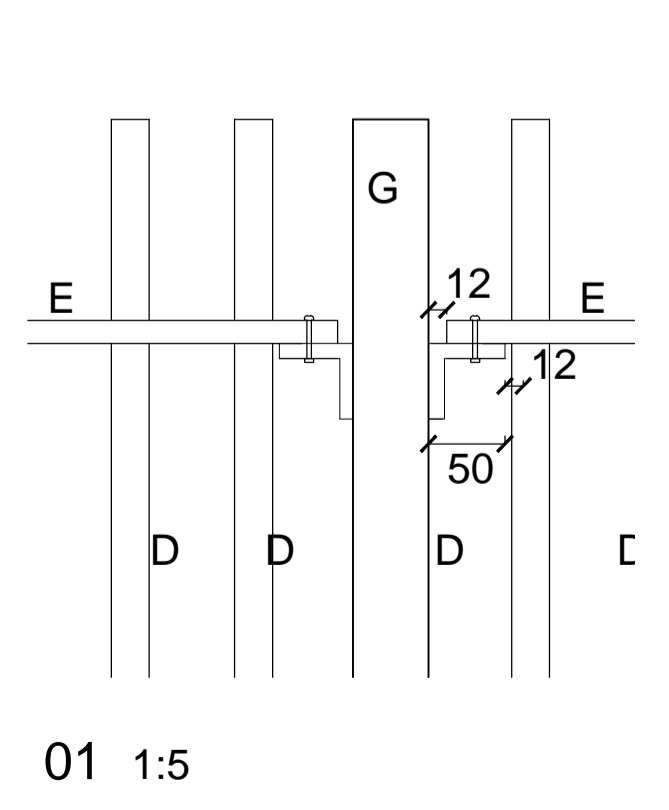
**GATES**  
 GATE POSTS TO BE 120X120X10mm. GATE TO COMPRISE M STEEL FRAME 100x50x5mm WITH VERTICALS TO BE 22mm SQUARES WITH FLAT TOPS AT 120mm CENTRES.

HINGES TO BE 50x75x10mm GALV M.S CLEAT WITH 15mm DIAM 75mm HIGH BAR WELDED TO CLEAT. SEE DETAIL 04.

- LEGEND**
- A 120 X 120 M GALV MILD STEEL SHS POST
  - B CONCRETE PAD FOUNDATION
  - C 50 X 10 MM GALV MILD STEEL FLAT TO FRAME UP GATE.
  - D 22MM GALV MILD STEEL SOLID SQUARE BARS WITH FLAT TOP.
  - E 50 X 10MM GALV MILD STEEL FLAT TO FENCE.
  - F N/A
  - G 50 X 100 MM GALV MILD STEEL I SECTION POST SET INTO CONCRETE FOUNDATION.
  - H HINGE TO GATE COMPRISING 50 X 75 X 10MM GALV MILD STEEL CLEAT WITH 15MM DIAM AND 75 MM HIGH BAR WELDED TO CLEAT. WELD ON CAPS TO PREVENT GATE BEING LIFTED OFF HINGES.
  - J 35 X 50 MM GALV MILD STEEL FLAT TO FRAME UP GATE.



01 NEW FENCE + GATE 7 OUTSIDE PROPOSED RECEPTION 1:20  
 VIEWED FROM OUTSIDE



Rev	Date	Rev	Date
Sheet No/Revision <b>(92)104</b>		Job No 0507/07	
Date JUL 2020		Scale 1:20	
Drawn/Checked CS/WJ		Job PROPOSED ALTERATIONS AT ADAMS COURT	