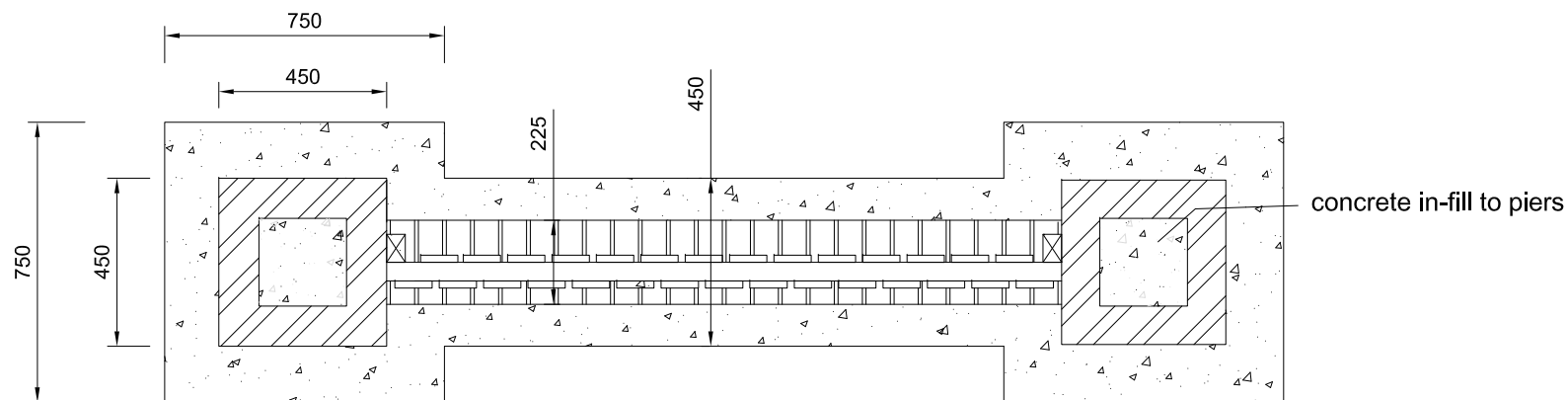


Elevation



Plan

# 2.4m Brick Wall with Timber Infill Fence Panels