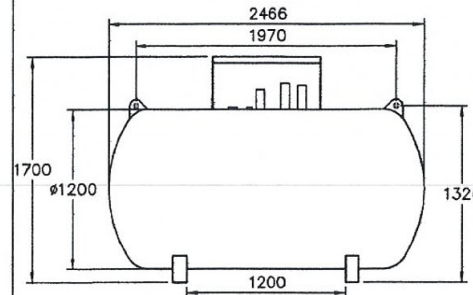
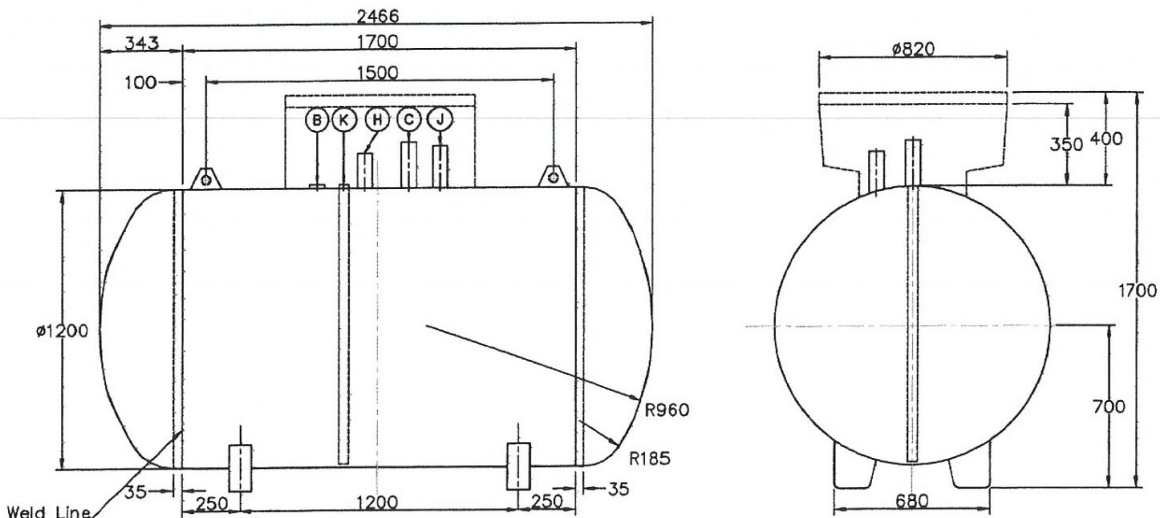


(227) NOW USED BY US (Budget Lots)

DRG. No.  
20057



TANK TYPE CODE 227  
 TANK TYPE 2400 LITRE U/G  
 DRAWING No. 20057  
 WATER CAPACITY 2400 LITRES (2.4 TONNES)  
 PROPANE CAPACITY 2100 LITRES (1073 Kg)  
 TARE WEIGHT 610 Kg

ALTERATIONS  
 A Issue date 05/09/2011  
 Drawn By S. P.  
 Checked By M. B.  
 B 31/07/15  
 Propane capacity noted.  
 DRN: S. P.

**NEW LIST OF CONNECTIONS**

ITEM	DRG. No.	DESCRIPTION	SIZE	QTY.
B	14128	RELIEF VALVE CONNECTION	1 1/4" NPT	1
C	14128	FLOAT GAUGE CONNECTION	SEE VALVE SCHEDULE	1
H	14128	VAPOUR CONNECTION	3/4" NPT	1
J	14128	FILLER VALVE CONNECTION	1 1/4" NPT	1
K	14128	LIQUID OFFTAKE CONNECTION	3/4" or 1 1/4" NPT	1

**ORIGINAL DESIGN DATA**

DRAWING No.	20057	TEST PRESSURE	26.5 bar
DESIGN CODE	EN 14075: 2005	STRESS RELIEF	NO
DESIGN TEMP	48°C	WATER CAPACITY	2400 LITRES
DESIGN PRESSURE	18.5 bar		

**NOTES:**

- VESSEL IS EQUIPPED WITH CATHODIC PROTECTION SYSTEM CONNECTED VIA JUNCTION BOX WITHIN HOOD.
- SEE DRAWING 19715 FOR TURRET & SUPPORT BAR DETAIL.

**VESSEL DATA**

TANK TYPE CODE 227  
 TANK TYPE 2100 LITRE U/G  
 DESIGN CODE EN 14075: 2005  
 MAX. SAFE OPER. PRESSURE 18.5bar  
 MIN. SAFE OPER. PRESSURE -0.9 bar  
 MAX. SAFE OPER. TEMPERATURE 48°C  
 MIN. SAFE OPER. TEMPERATURE -40°C  
 WATER CAPACITY 2400 LITRES  
 PROPANE CAPACITY 2100 LITRES  
 TARE WEIGHT 610 Kg

FOR VALVING DETAILS SEE SEPARATE VALVING SCHEDULE FOR TANK TYPE CODE.

DATE 05-09-11  
 DRAWN S.PHULL  
 TRACED  
 CHECKED M.BAKER  
 SCALE 1:20  
 DRG. SIZE A3  
 ISSUE B  
 DRG. No. 20057

UNLESS OTHERWISE STATED:-  
 ALL DIMENSIONS IN MILLIMETRES.  
 ALL STANDARDS ARE TO LATEST ISSUE.



TYPE 227  
 2100 LITRE CAPACITY  
 UNDERGROUND STORAGE VESSEL

PRIVATE & CONFIDENTIAL  
 THIS DRAWING IS THE PROPERTY OF CALOR GAS AND MUST NOT BE  
 COPIED OR REPRODUCED WITHOUT THE PERMISSION OF THE COMPANY.

CALOR GAS  
 Athena Drive Warwick CV34 6RL