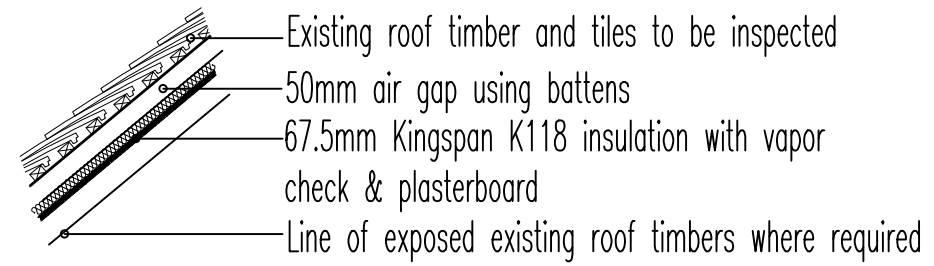
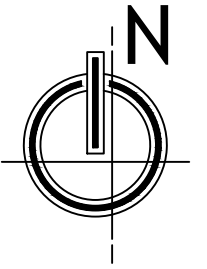
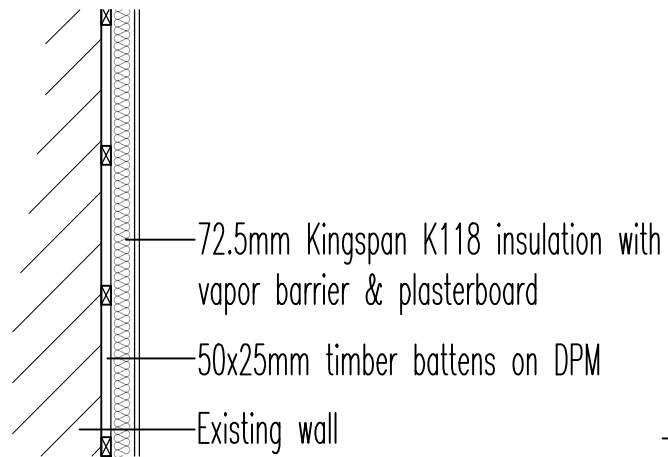


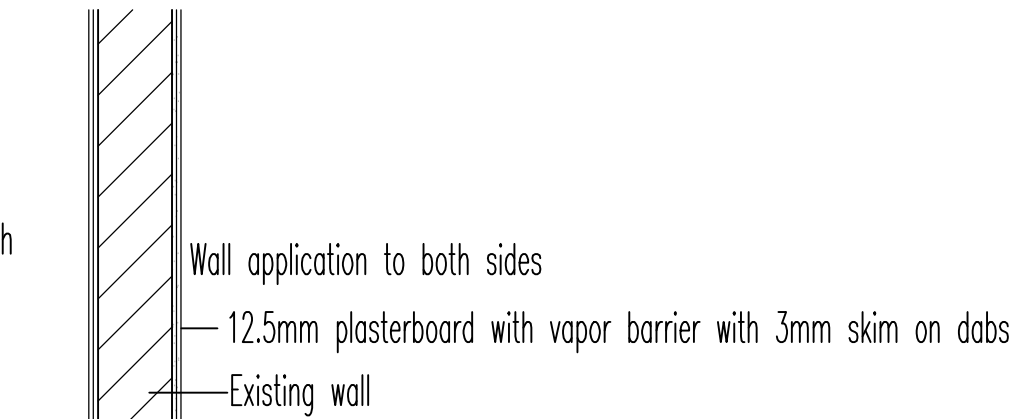
Notes
 This drawing is indicative only. Do not scale from this drawing for construction purposes. Check all dimensions on site before setting out. This drawing is copyright and may not be reproduced without permission of the owner.



ROOF DETAILS



WALL TYPE - WT.01
 Existing external wall

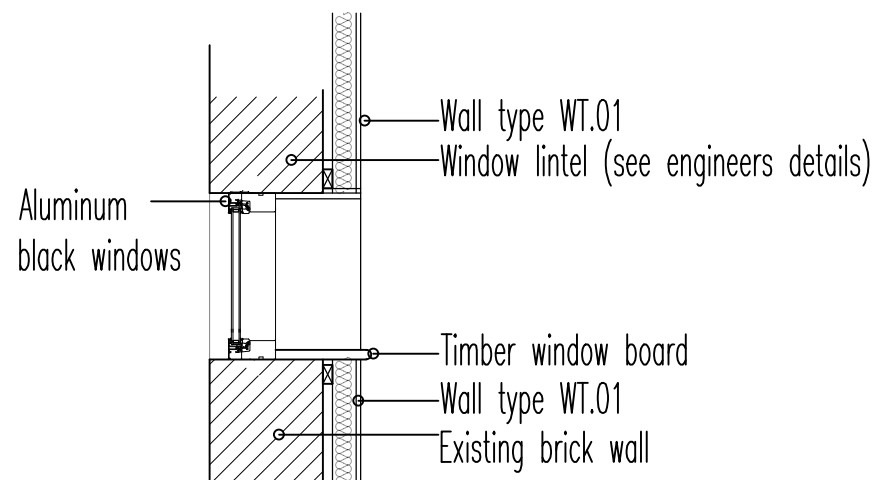
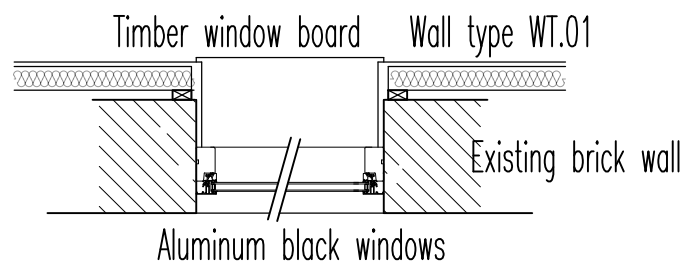


WALL TYPE - WT.03
 Existing internal wall

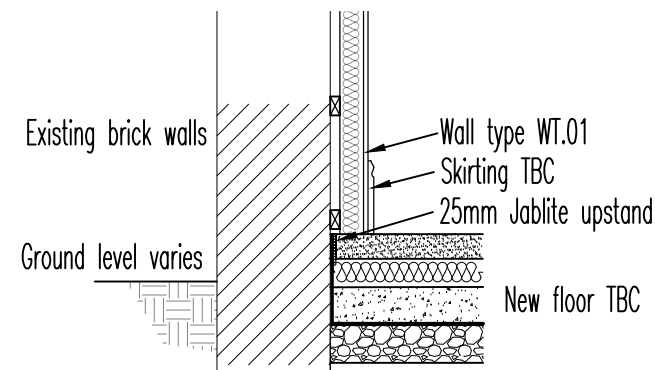


WALL TYPE - WT.04
 Stud partition wall

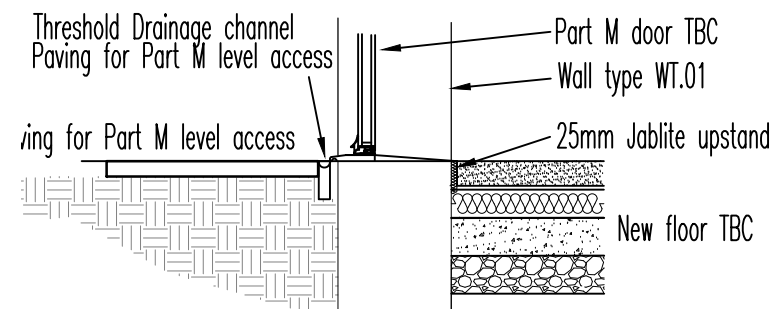
WALL DETAILS



WINDOW DETAILS




EXISTING FOUNDATION TO BE CHECKED WITH STRUCTURAL ENGINEER AND BUILDING REGULATIONS



EXISTING FOUNDATION TO BE CHECKED WITH STRUCTURAL ENGINEER AND BUILDING REGULATIONS

FLOOR DETAILS

Revn.	Description.	Date.
 Welbatch Farm, Hook-a-Gate, Shrewsbury SY5 8BA		
Job: Welbatch Farm, Hook-a-Gate, Shrewsbury SY5 8BA		
Title: Planning details		
Date: Jan 2021		Drawing No: HK-01-12
Scale: 1:20		