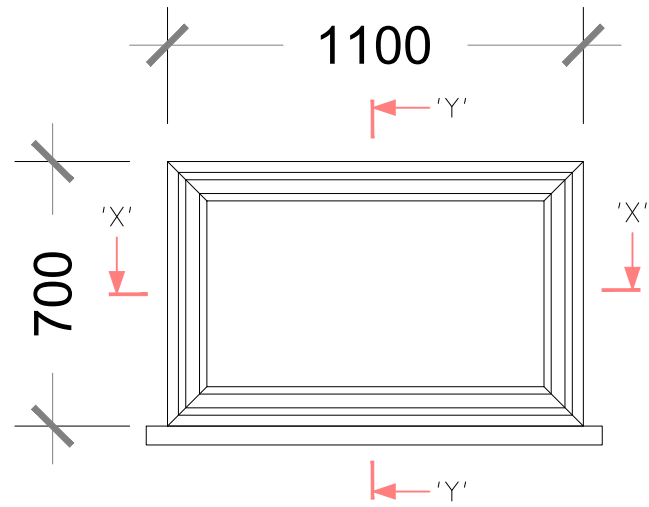


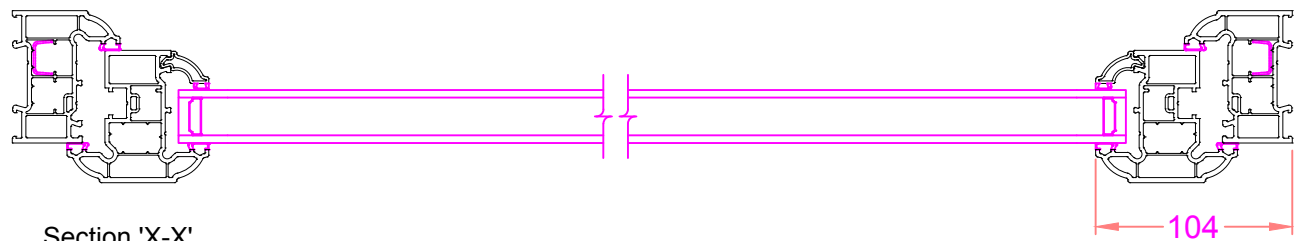
Section 'Y-Y'
Scale 1:4



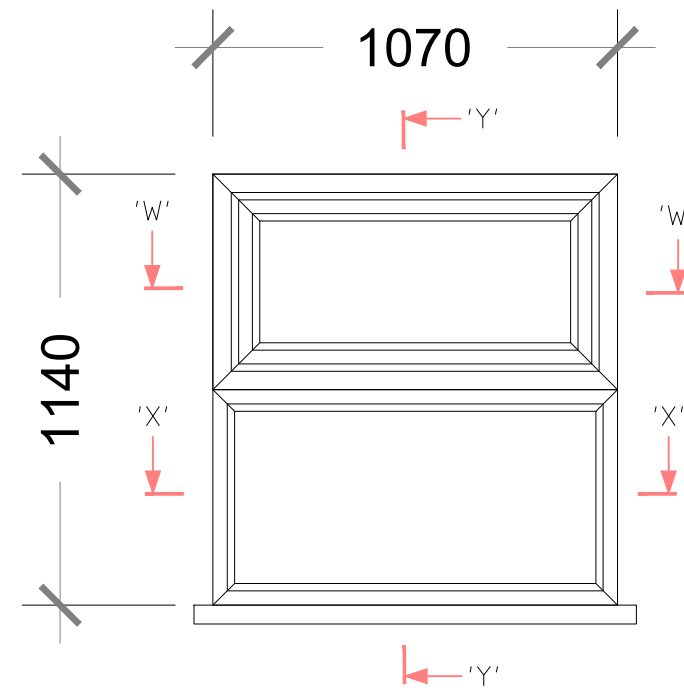
A 1No

Typical Elevation
(Viewed from outside)
Scale 1:20

Reinforcement shown is for indicative illustrational purposes only. Please refer to Liniar's current fabrication manual for reinforcement guidelines



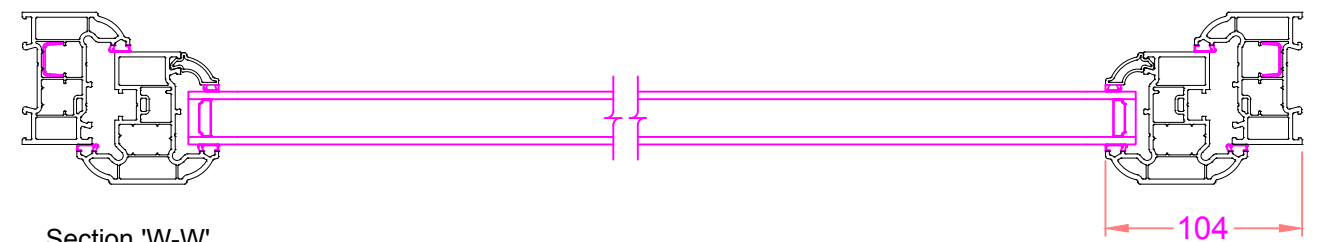
Section 'X-X'
Scale 1:4



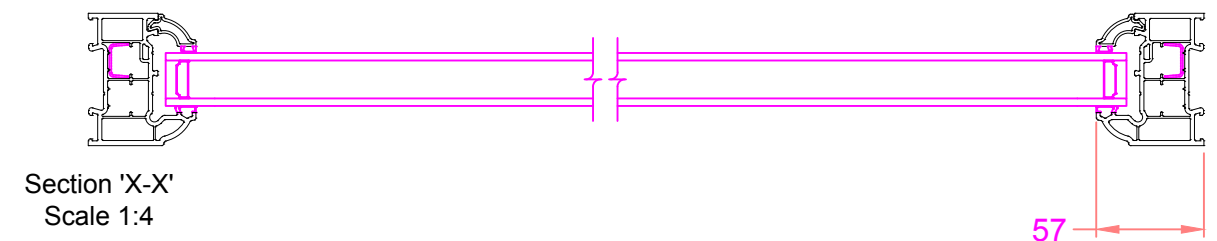
B 1No

Typical Elevation
(Viewed from outside)
Scale 1:20

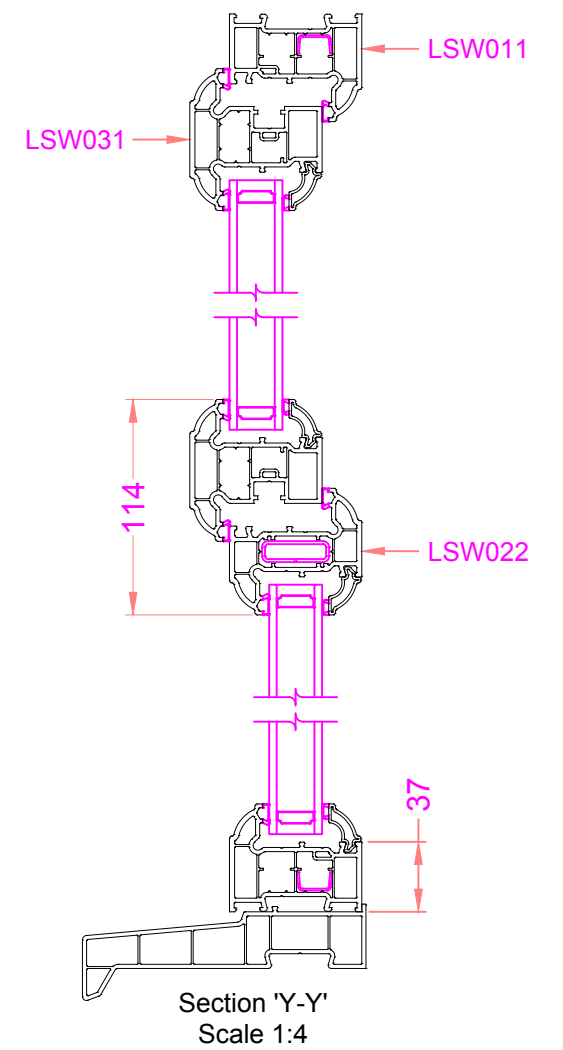
Reinforcement shown is for indicative illustrational purposes only. Please refer to Liniar's current fabrication manual for reinforcement guidelines



Section 'W-W'
Scale 1:4



Section 'X-X'
Scale 1:4



Section 'Y-Y'
Scale 1:4

Revision notes:		
Rev:	Date:	Notes:
001		The Contractor must carry out His/Her own measured survey prior to works commencing on site to verify site dimensions and to report any discrepancies to the Designer. Contractor to refer to Building Control Notes. Contractor is responsible for final on site design using on site dimensions. Contractor responsible for on site drainage layout/runs - to be agreed by Building Control prior to Construction starting on site. All Details to be approved by Building Control prior to construction starting on site.

Drawn by: FD	Client:
-----------------	---------

Project: 22 Peak Hill Gardens, Sydenham, SE26 4LF	Drawing Title: SCHEDULE
--	----------------------------

Date: 04.01.2021	Issue: PLANNING PERMISSION
Scale @ A3: 1:20	

Plan It
Architectural Services
www.project.planituk.co.uk