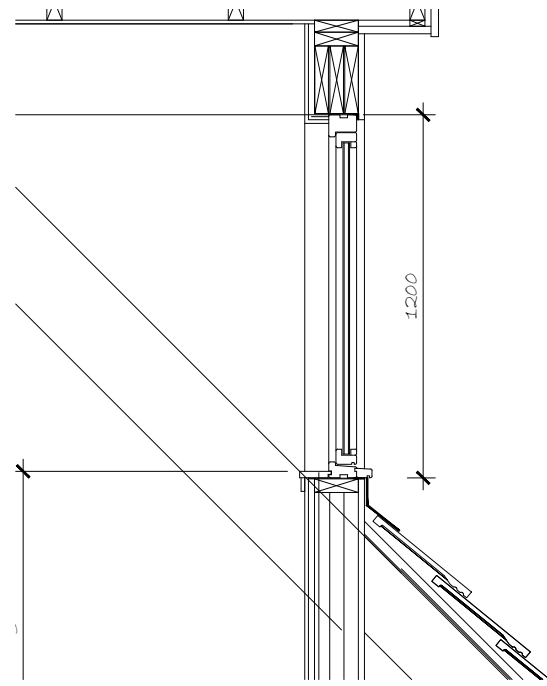
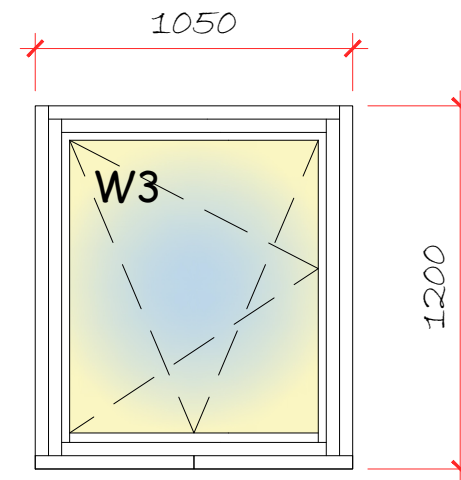


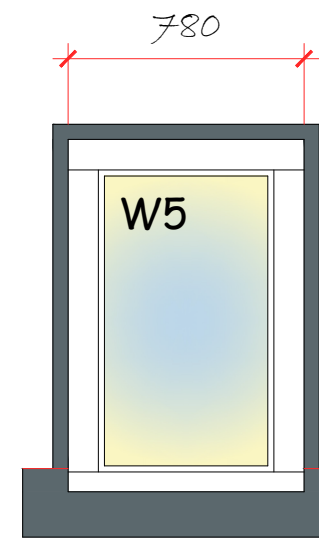
Window Elevation W4
Fixed Pane - 4545x3560mm
1No required.
@ 1-50



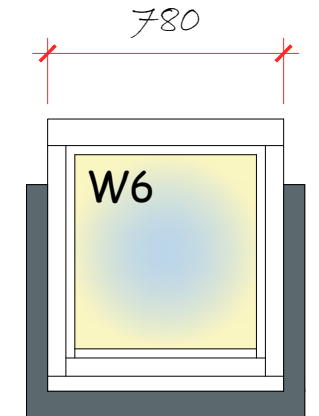
First Floor Window Section - 1:25



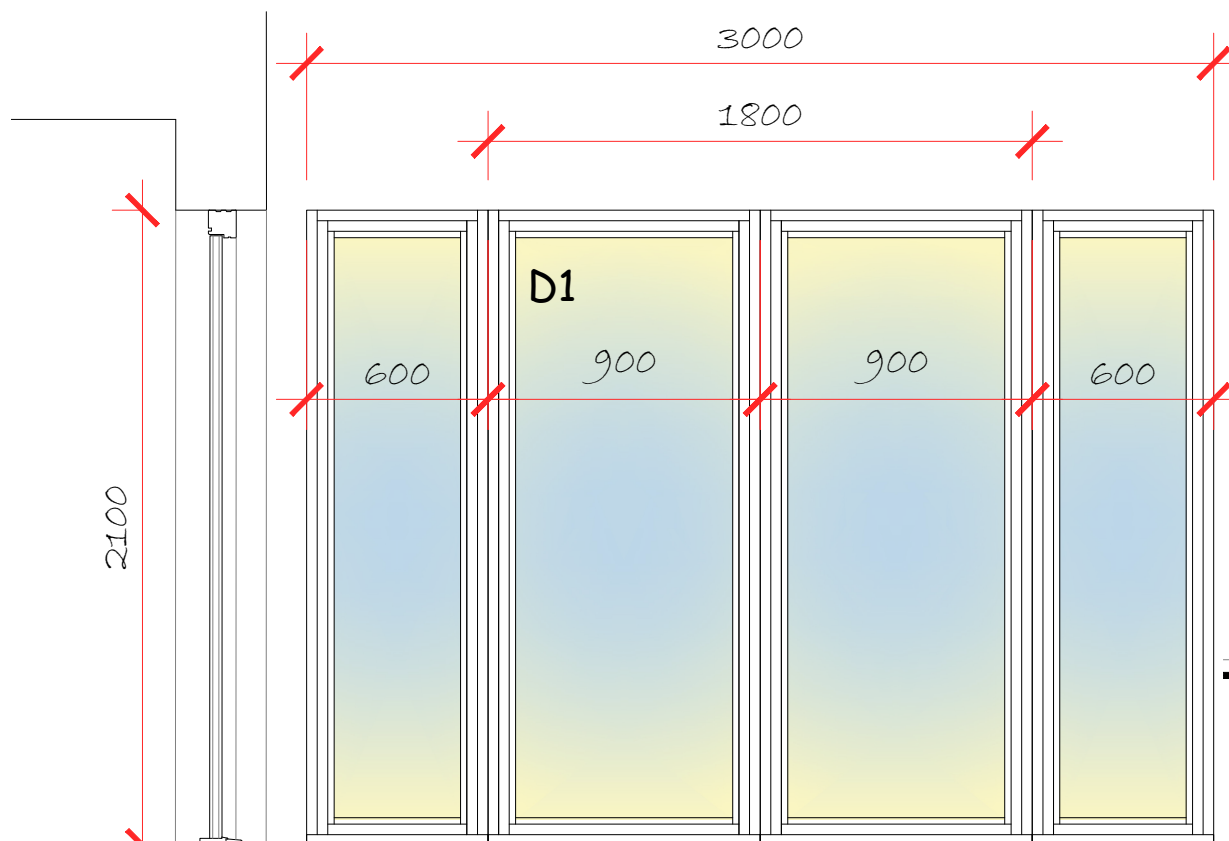
Window Elevation W3
Tilt and Turn - 1050x1200mm
1No required.
@ 1-25



Window Elevation 5
Conservation Velux
780x980mm
1No required.
@ 1-25

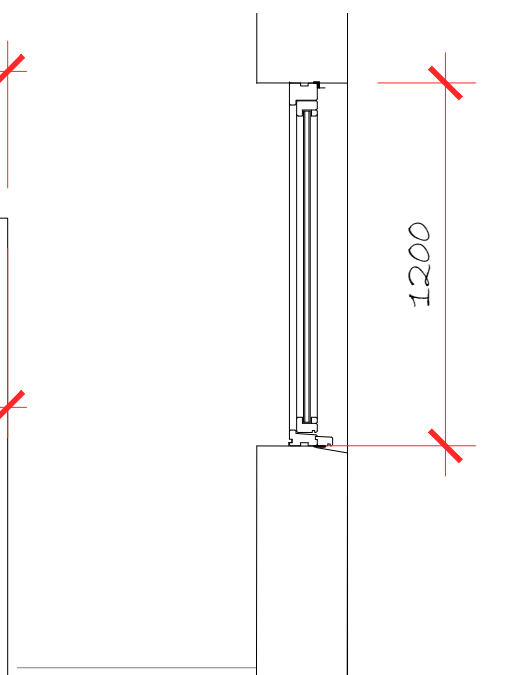


Window Elevation 6
Conservation Velux
780x780mm
2No required.
@ 1-25

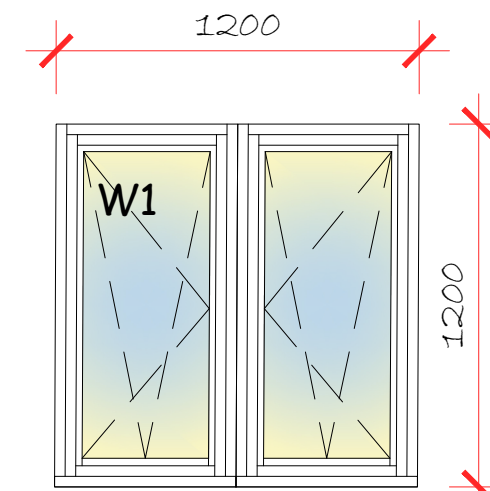


Door Elevation D1
Outward opening Patio Door with fixed sidelights
@ 1-25

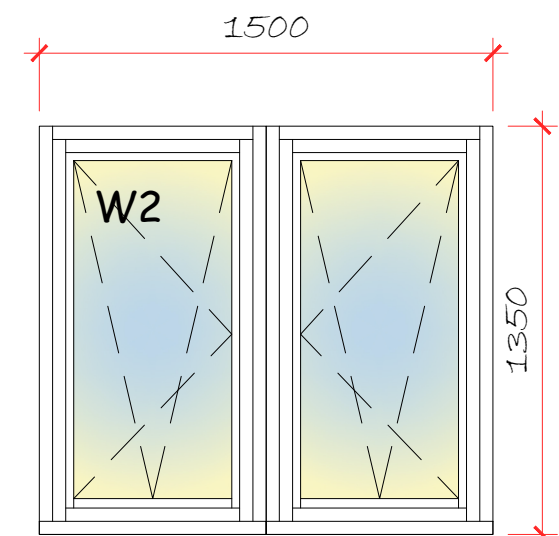
Section of Doors
@ 1-25



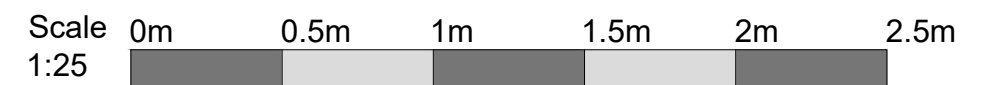
Ground Floor Window Section
@ 1-25



Window Elevation W1
Tilt and Turn - 1200x1200mm
2No required.
@ 1-25



Window Elevation W2
Tilt and Turn - 1500x1350mm
1No required.
@ 1-25



Arthur Stone Planning
& Architectural Design

Project
Proposed Extension & Alterations to
Hollow Cottage, Blacknowes, Kinross, KY 13 9CT.

Title
Door & Window Schedule

Drawn	Date	Scale	Drawing No	REV
AC	DEC 2020	1:25@A3	3114-BW-104	