

Fitting/replacing bulbs

- The LEDs in this product are non replaceable.

Care & Cleaning

We recommend cleaning with a soft dry cloth.
Do not use solvents or abrasive cleaners as these could damage the finish.

Recycling advice



Waste electrical products should not be disposed of with household waste. Please recycle where facilities exist.
Check with your Local Authority or retailer for recycling advice.

Safety information

For your safety, always switch off the supply before cleaning.

Instruction leaflet

Zone & Dome LED Bollard

73435, 73436



CE

saxby
lighting

Iss.1 01082018

Thank you for purchasing this light fitting. Please read the instructions carefully before use to ensure safe and satisfactory operation of this product. Please retain these instructions for future reference.

Warning

This light fitting is Class 1 and must be connected to an Earth circuit

Please read these instructions carefully before commencing any work.

This unit must be fitted by a competent and qualified electrician.

Install in accordance with IEE Wiring regulations and current Building Regulations.

To prevent electrocution switch off at mains supply before installing or maintaining this fitting. Ensure other persons cannot restore the electrical supply without your knowledge. If you are in any doubt, please consult a qualified electrician.

This light fitting should be connected to a circuit with a 30mA RCD fitted.

If replacing an existing fitting, make a careful note of the connections.

This system contains non-replaceable parts and cannot be serviced. If damage occurs the part should be scrapped.

Waste electrical products should not be disposed of with household waste. Please recycle where facilities exist. Check with your local authority or retailer for recycling advice.

This product is rated at IP65.

This product is not suitable for dimming.

This product is not suitable for location in or near a marine or sea environment.

This product must be mounted onto a concrete base or paving slab. It should not be directly installed in the soil.

An additional fixing kit for installation into wet concrete is available separately part no: 73437.

Specification

Voltage: 240V 50Hz a.c.
Lamp: 25W LED Module
IP rating: 65

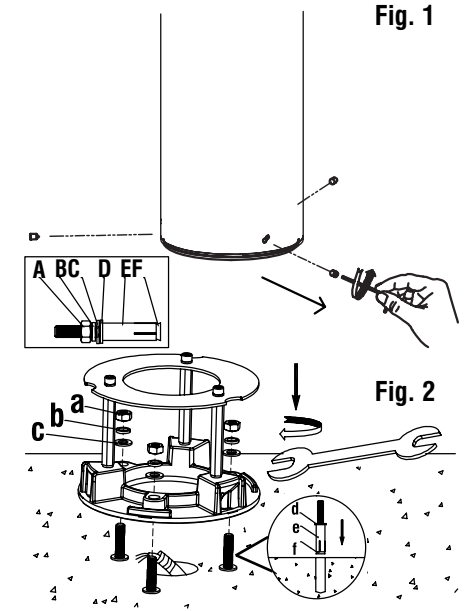
Layout

- Plan the desired layout of this fitting carefully, ensuring the cables will reach the distance between the connector and the light fitting
- Avoid locating any cables in positions that would cause a hazard. Position cables and junction boxes (not supplied) away from areas where they may be at risk from being cut, trapped or damaged
- Cables in walls must be protected using suitable conduit or plastic trunking.
- The mains supply cable must have a minimum cross sectional area of 1.0mm²
- This product has special protection against the ingress of moisture and is IP65 rated.
- This product must be mounted onto a concrete base or paving slab. It should not be directly installed in the soil.
- An additional fixing kit for installation into wet concrete is available separately part no: 73437

Installation

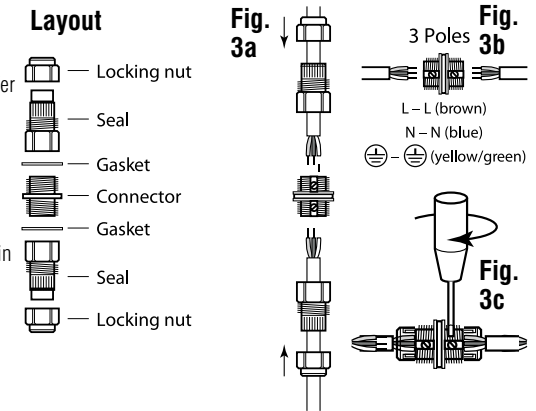
Existing fittings must be completely removed before installation of a new product. Before removing the existing fitting, **carefully note the position of each set of wires.**

- Undo the 3 allen screws with the supplied hex key to detach the mounting unit from the product. Keep the 3 screws safe for refitting later (Fig. 1).
- Position the mounting unit on the solid mounting surface and mark the position of the fixing holes. Drill the holes taking care not to damage concealed wiring and pipes. If using supplied fixings, ensure the holes have depth: 40mm and diameter: 12mm.
- Position the conduit or plastic trunking so that the cable comes up the centre point of the bollard. Ensure that the cables do not snag.
- Use the supplied anchor bolts (See inset for expanded diagram of bolt) or alternative fixings to secure the mounting unit (Fig 2).
- Wire as detailed below.



Wiring

- It is recommended that the Saxby IP68 inline connector ref 61515 is used to wire this product. Refer to layout diagram.
- Unscrew the threaded body at the centre of the connector from both sides (Fig. 3a).
- Push the wires into the terminals, observing the correct polarity (Fig. 3b). Make sure the gaskets are in place to ensure ingress protection.
- Tighten the screws to secure in place (Fig. 3c).
- Refit the seals and locking nuts.



Commissioning

- Place product over the mounting unit and secure in place by refitting the three allen screws set aside earlier. Ensure cable is not trapped (Fig. 4).
- Replace fuse or circuit breaker and switch on. Your light is now ready for use.

