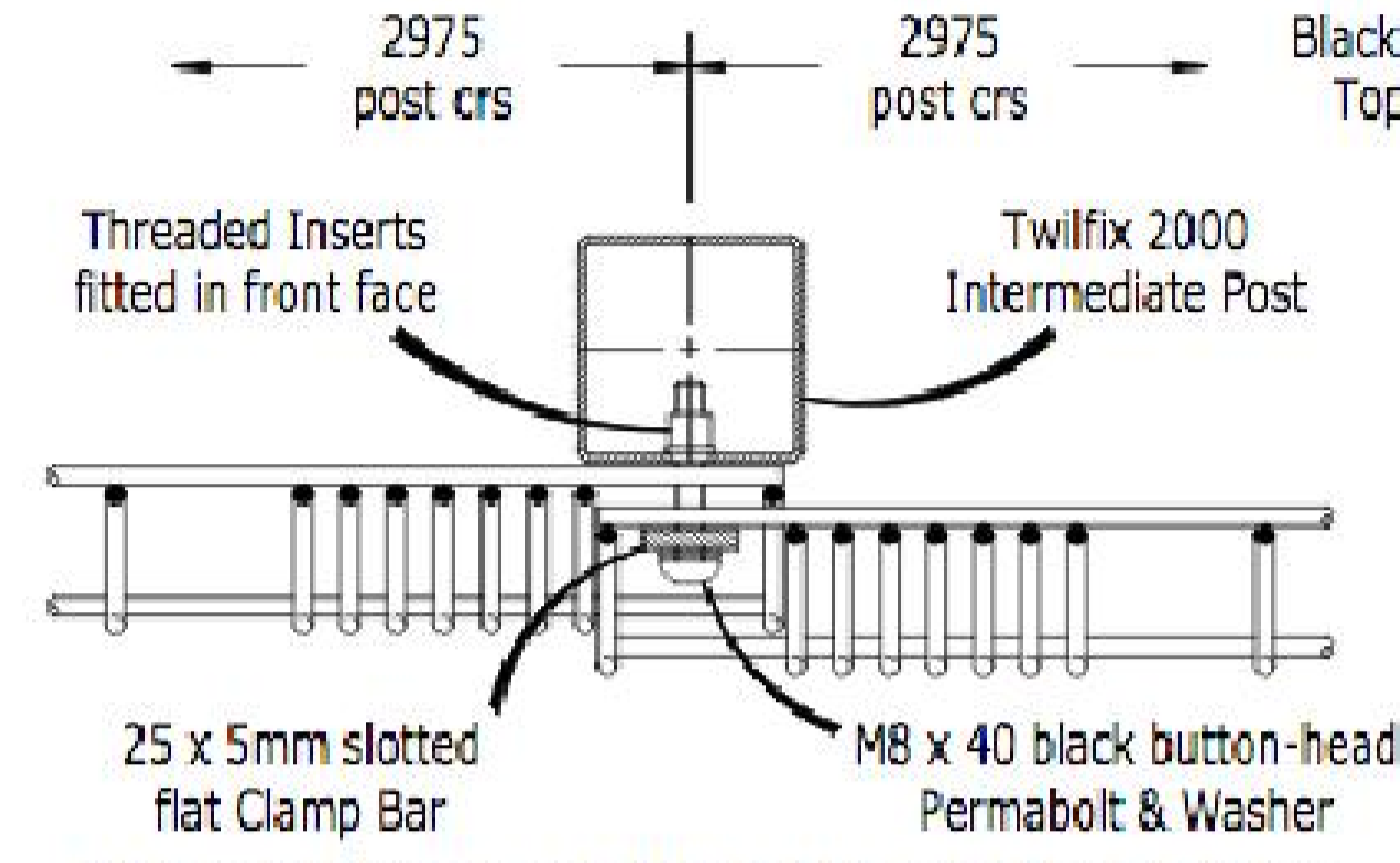
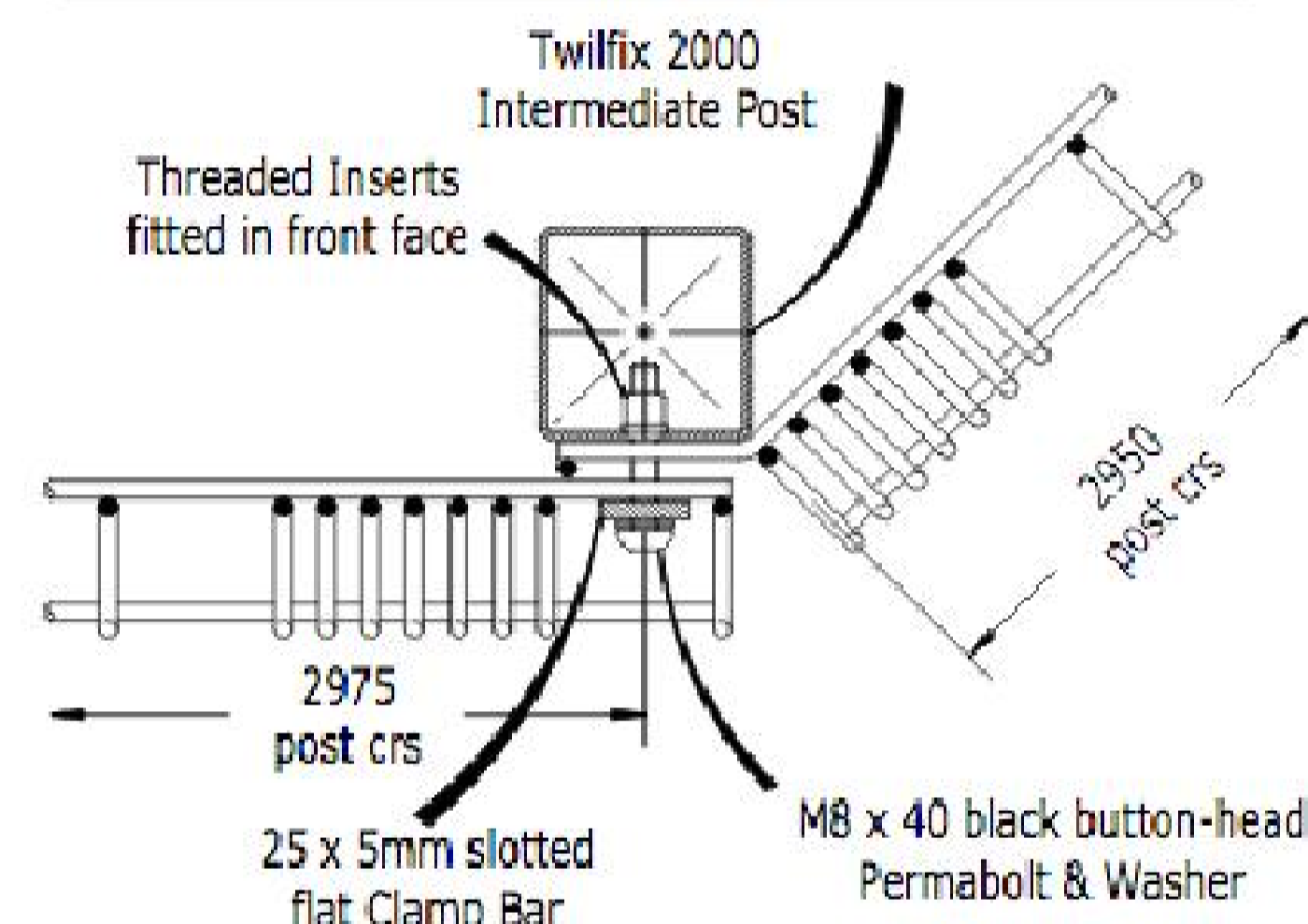


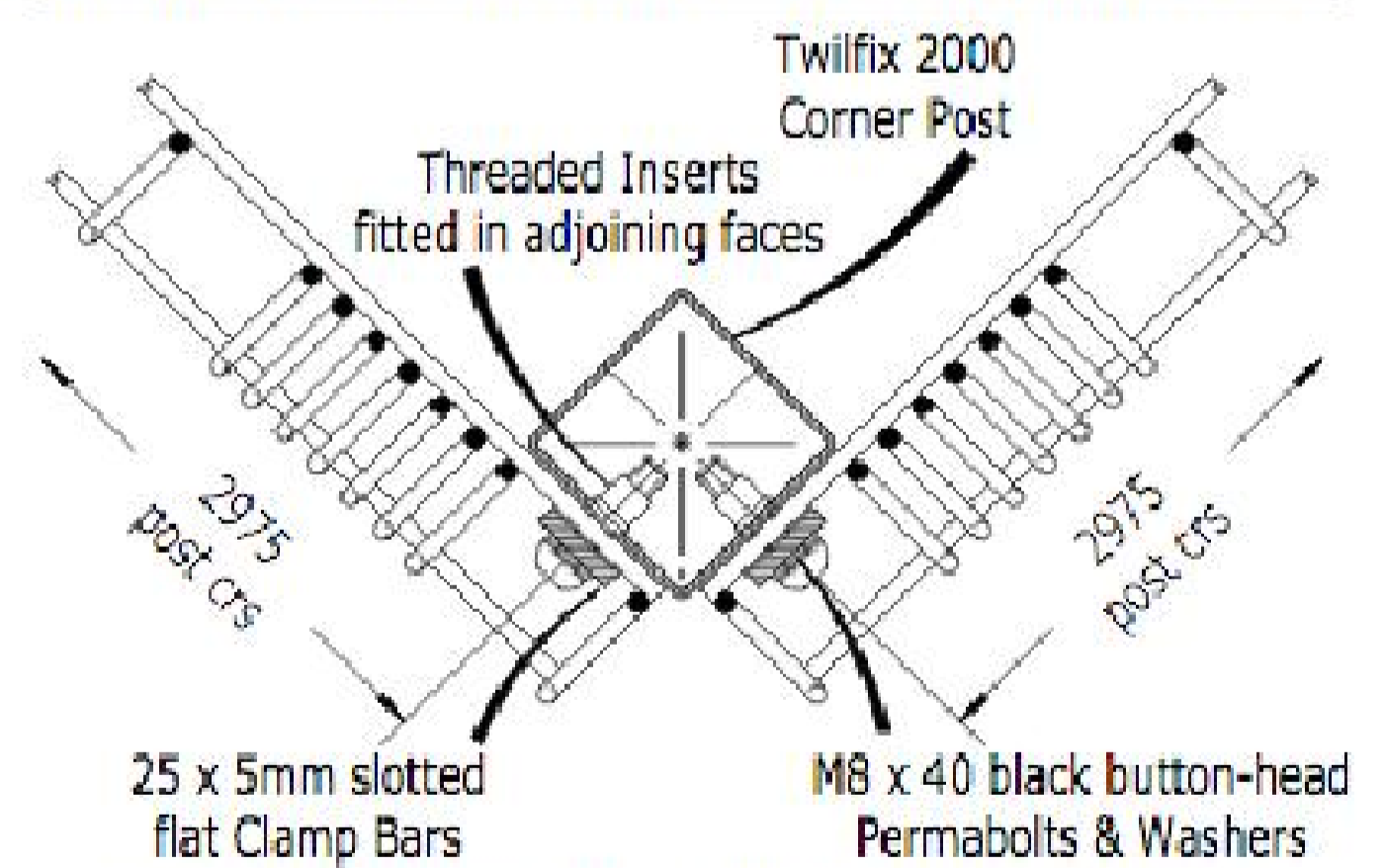
TYPICAL POST AND PANEL FIXING DETAIL



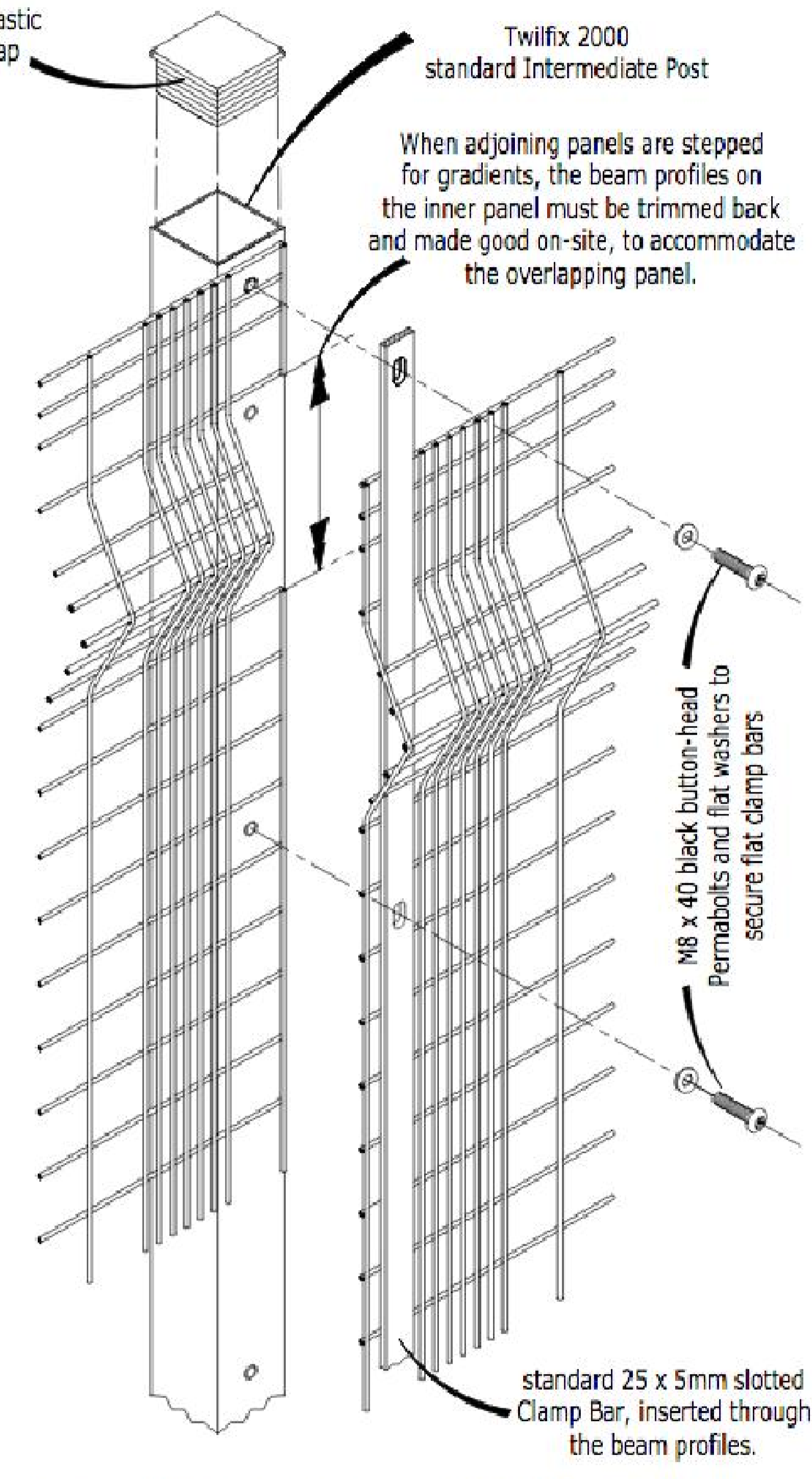
PLAN VIEW ON INTERMEDIATE POST



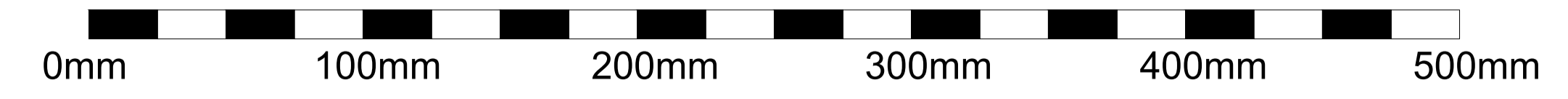
PLAN VIEW ON OBTUSE CORNER POST



PLAN VIEW ON 90° CORNER POST



STEPPING DETAIL FOR SLOPING GROUND



Notes
 Four Architects Limited (11613893)
 Note:
 This drawing is copyright.
 Do not scale dimensions from drawings.
 All dimensions must be checked on site by contractor or suitable qualified individual.
 Contractor to report any discrepancies, errors or omissions prior to commencing work.

Project Title: Waste Recycling	Status: -
Location: FORMBY	Scale: 1:2 @ A1
Job Number: 20-030	Date: 26.05.2020
Drawing Title: Fence Details	Drawing Number: PP-03-B Rev D
	Revision: -

