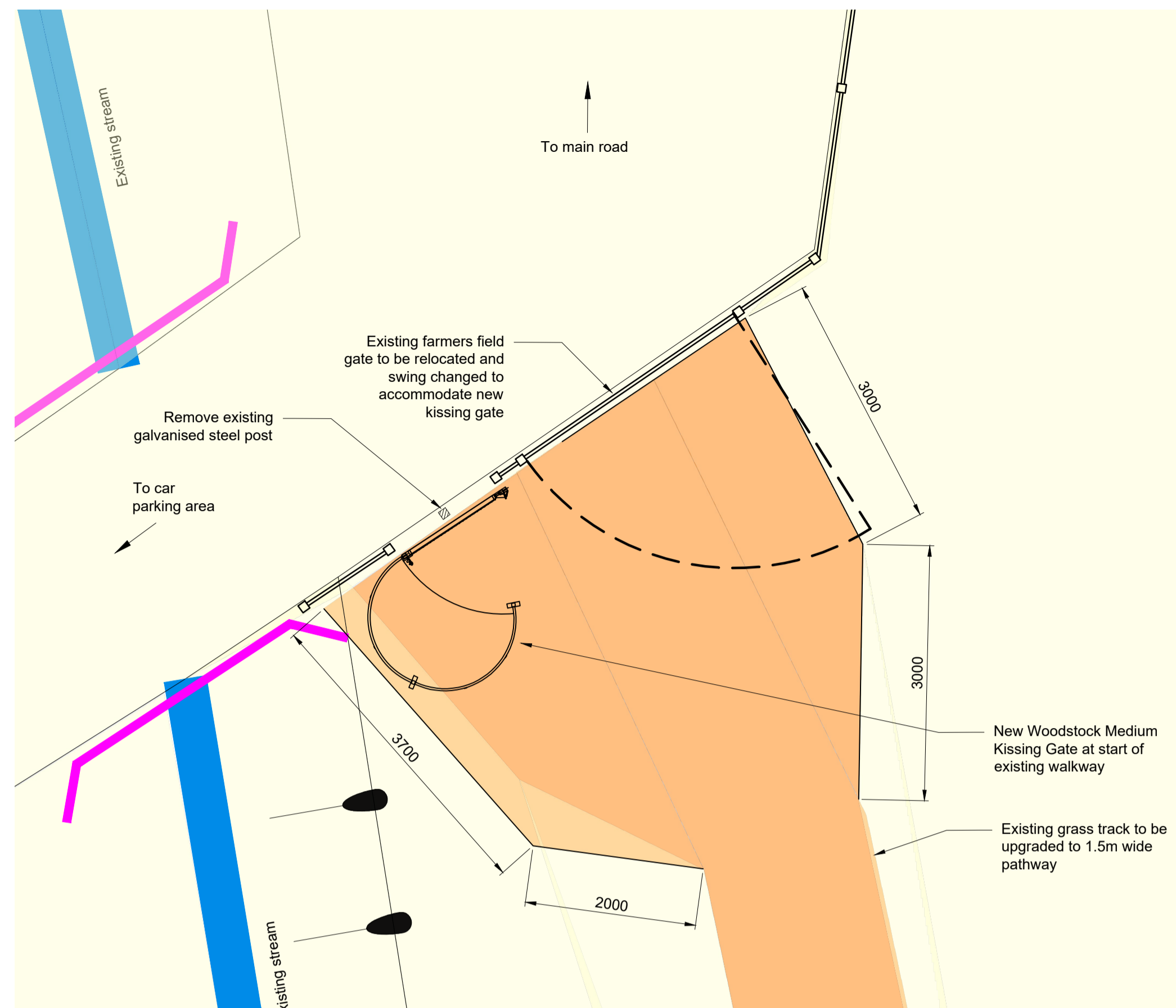


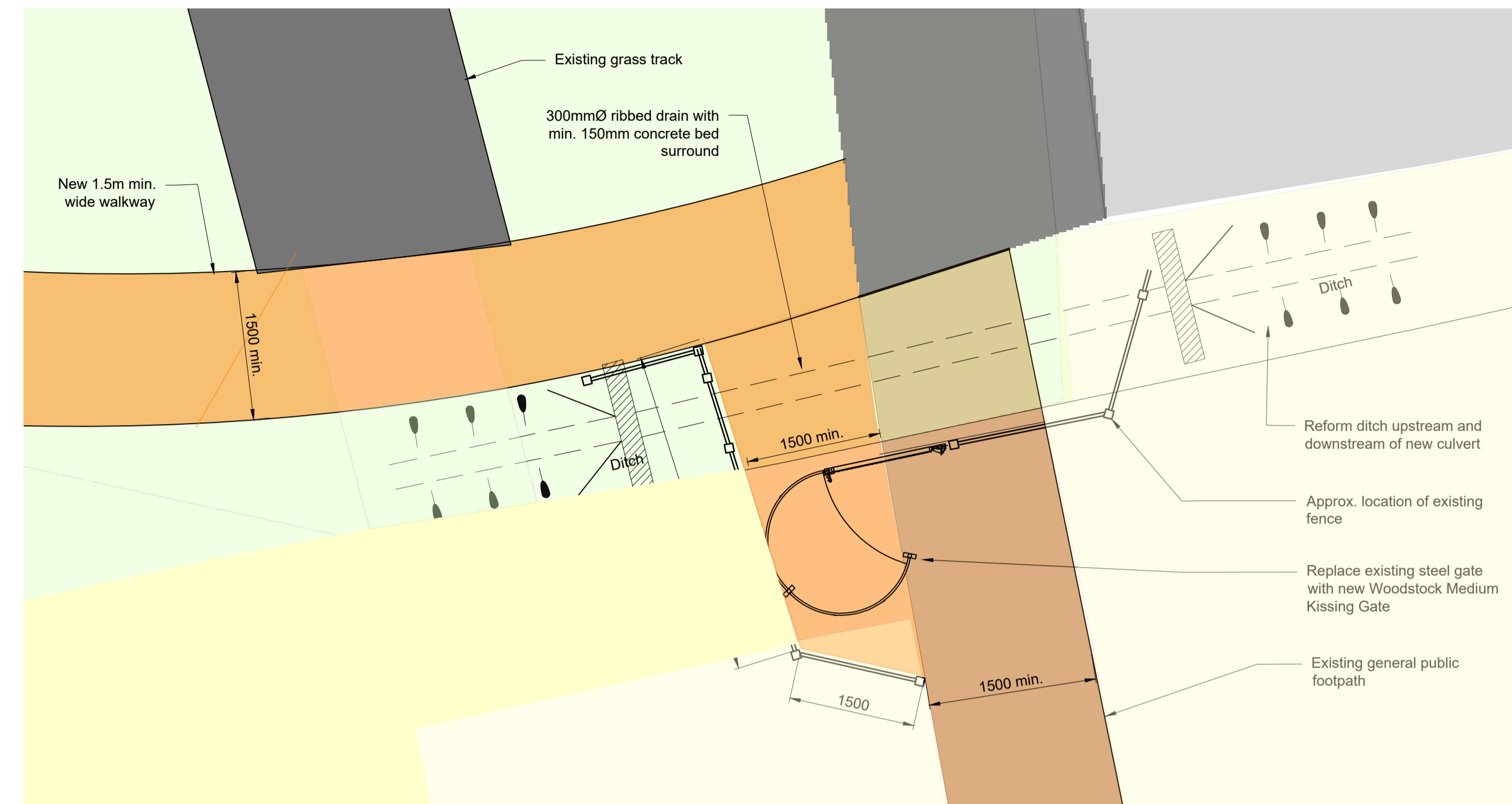
NOTES	
GENERAL	
1. Do not scale this drawing.	



Existing Access Gate No.1



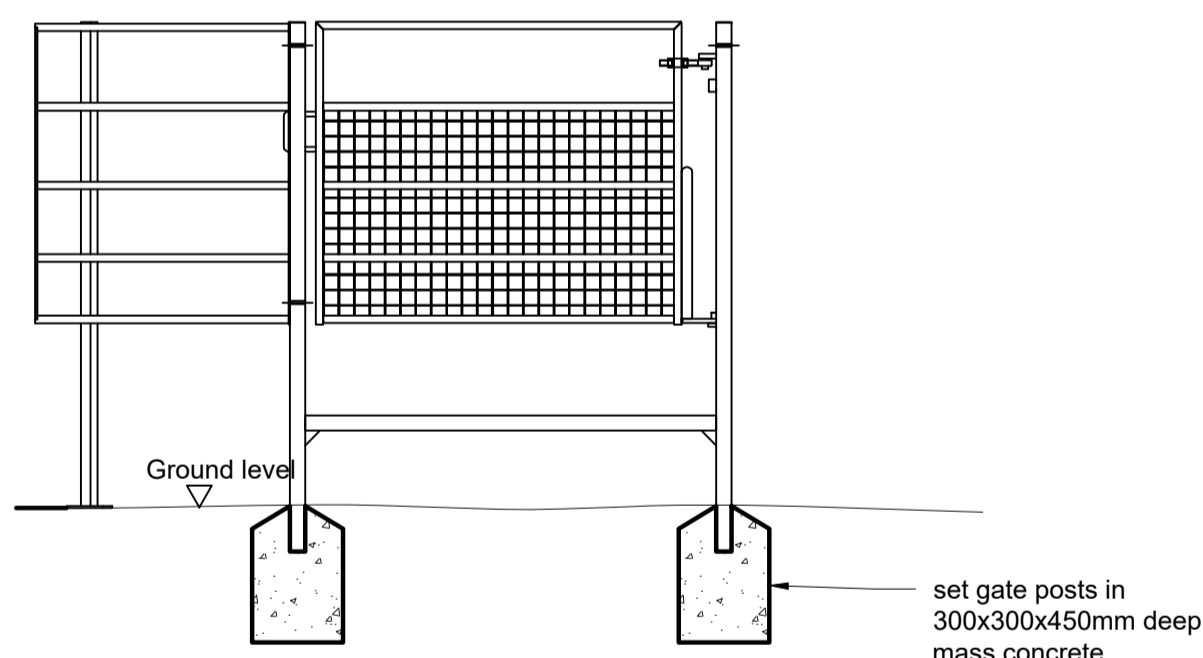
Kissing Gate Location 1
Scale 1:50



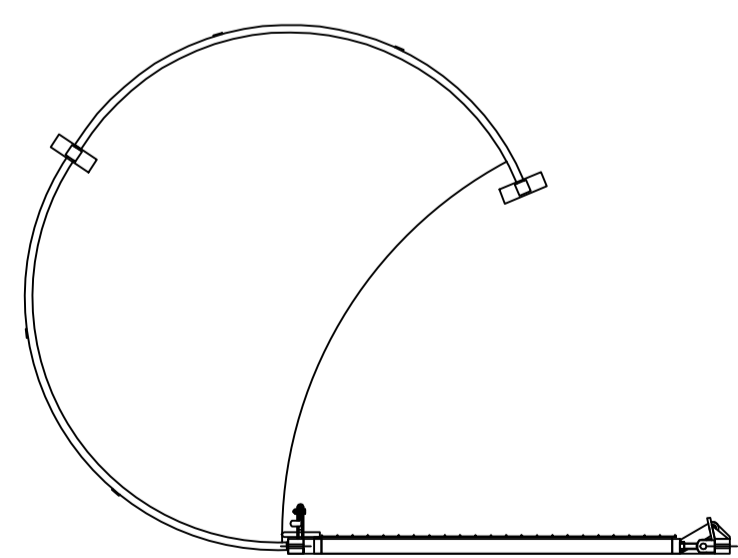
Kissing Gate Location 3
Scale 1:50



Existing Access Gate No.3



Side View

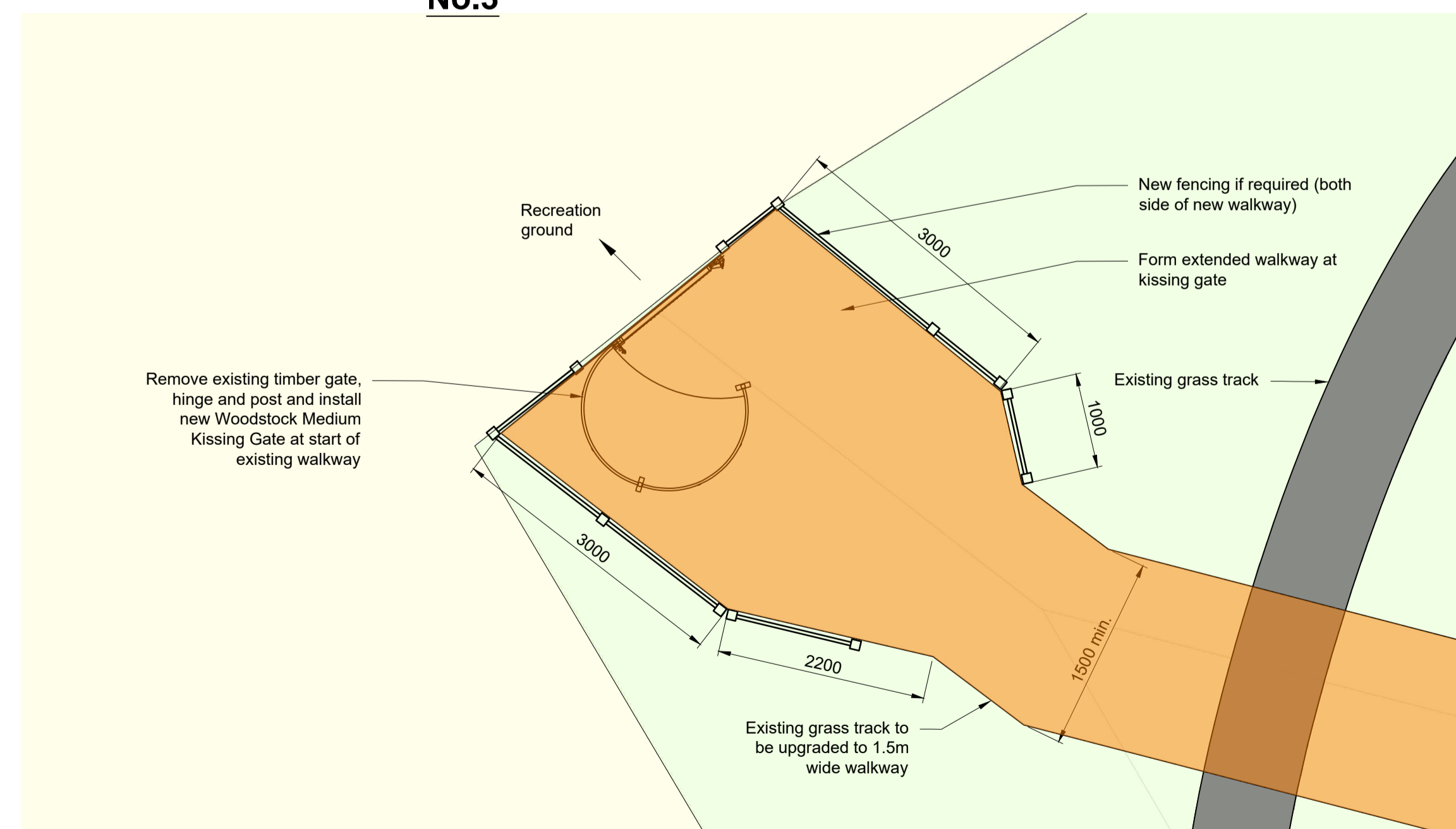


Plan

Woodstock Medium Mobility Kissing Gate
Scale 1:25



Existing Access Gate No.2



Kissing Gate Location 2
Scale 1:50

PRELIMINARY ISSUE

No.	REVISIONS	DATE
<p>SMP Consulting Engineers Stonecroft House, Ervington Court, Leicester. LE19 1WL Tel: (0116) 254 6922 engineers@smpconsulting.co.uk</p> <p>The Institution of Structural Engineers</p>		
PROJECT		
Walking Paths at Blaby Oaks, Hospital Lane Blaby		
CLIENT		
Blaby District Council		
SCALE		
As shown @ A1		
DRAWN	GW	CHK SM DATE 20.10.2020
TITLE		
New Walking Path Details		
DRAWING STATUS:		
CONSTRUCTION	NO	BUILDING REGULATION APPROVAL
TENDER	NO	PRELIMINARY
PROJECT REF.	DRG. No.	REV.
7647	02	-