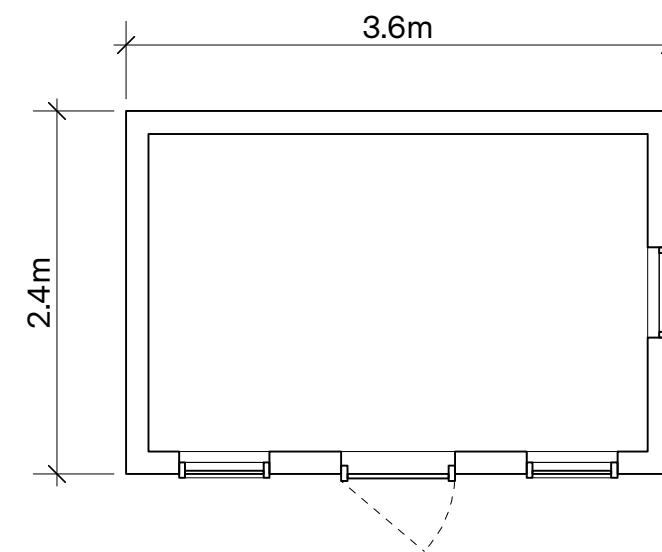


Revisions & Notes:



Floorplan
1.50

Walls to be timber-clad
 Roof to be turf
 Stainless steel flue to woodburner

RURAL DESIGN

Mill Studio
 Struan Road
 Portree
 Isle of Skye
 IV51 9EG
 tel. 0(44)1478 613379
 www.ruraldesign.co.uk
 studio@ruraldesign.net

Project: 456 Shepherd's Huts at 28 Geary

Client: Amy Iverson + Will Scott

Drawing: Shepherd's Hut

Scale: 1.50@A3	Drawn: MM	Checked: GS
-------------------	--------------	----------------

Status: Planning	Date: Dec 2020	REV:
---------------------	-------------------	------

Drawing No: 456 SH 003