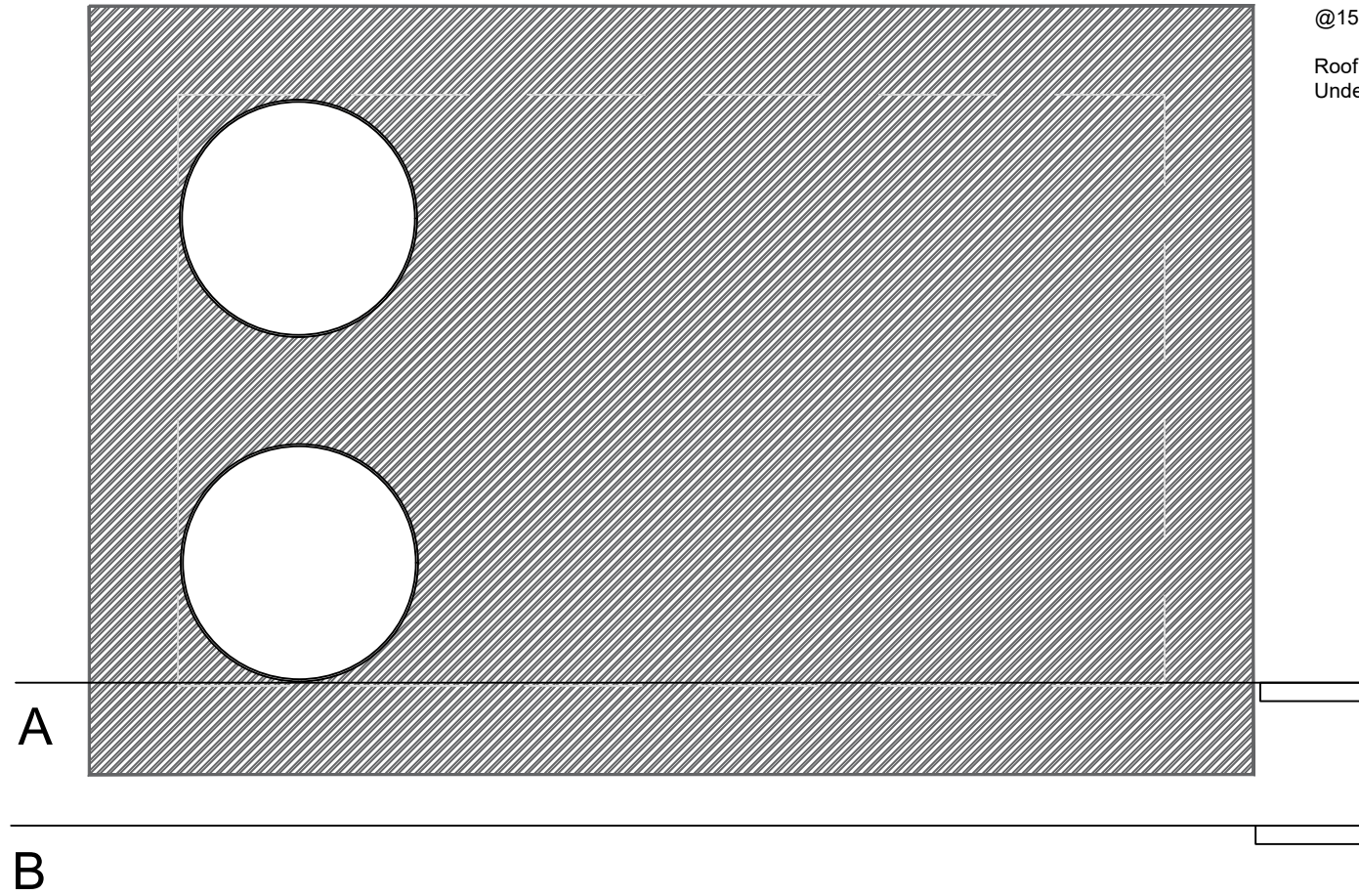


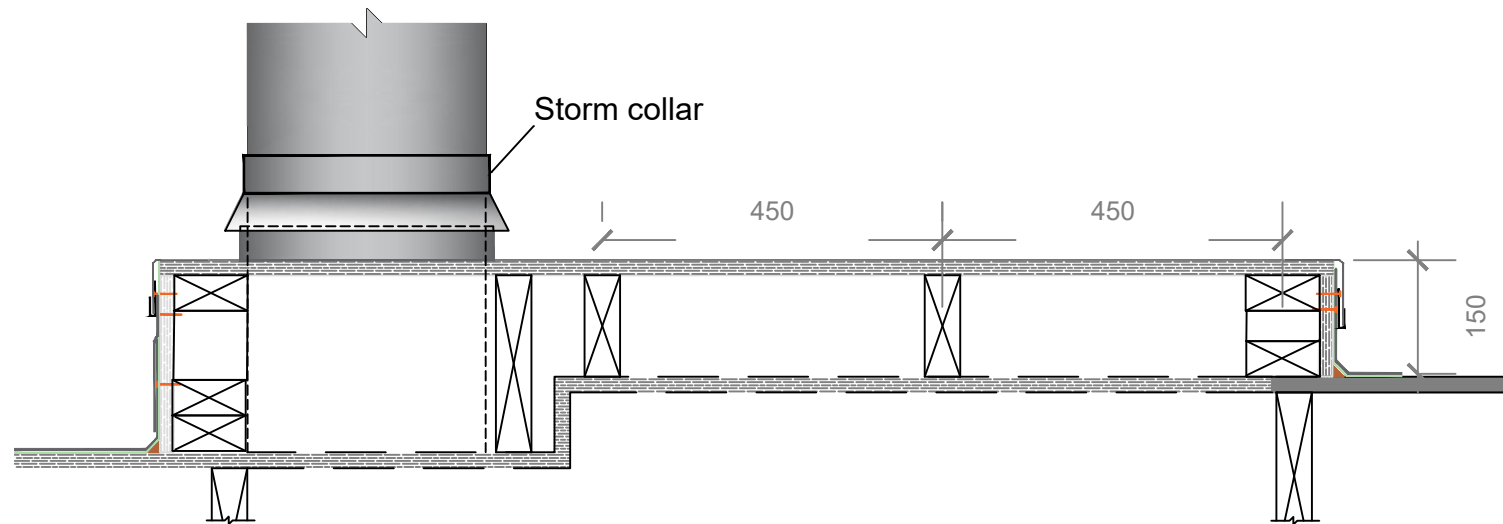
Lead clad timber hood over skylight to be formed with treated 97mm x 47mm timbers and 18mm-20mm marine plywood, screw-fixed with 6 x 50mm SS screws @150mm centres.

Roof of hood formed with Code 5 lead, SS clips & SS nails @50mm centres. Underlay should be a non-woven needle punched geotextile.

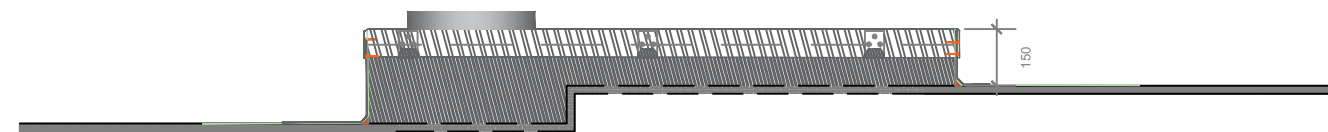
Sizes are approximate and Contractor should undertake their own site survey to determine accurate dimensions for installation of air-handling unit and ducting and also formation of lead cover over skylight.



Lead hood
Plan View 1:10



Lead hood
Section A View 1:10



Lead hood Elevation View B
1:20

Inverclyde
council

Environment, Regeneration and Resources

Gerard Malone
Head of Legal and Property Services
107 Darymple Street,
Greenock,
PA15 1HU



Client:

L&PS

Project:

COVID 19 Emergency Works
Air con to 3no. rooms
GMB

Project No:

20-012

Dwg No:

AL(0)203

Rev:

Drawing Title:

Proposed Hood
Plan, Elevation & Section

Status:

Stage 2

Drawn: SW

Date: 27/08/20

Checked: AMcC

A3 Scale: 1:100