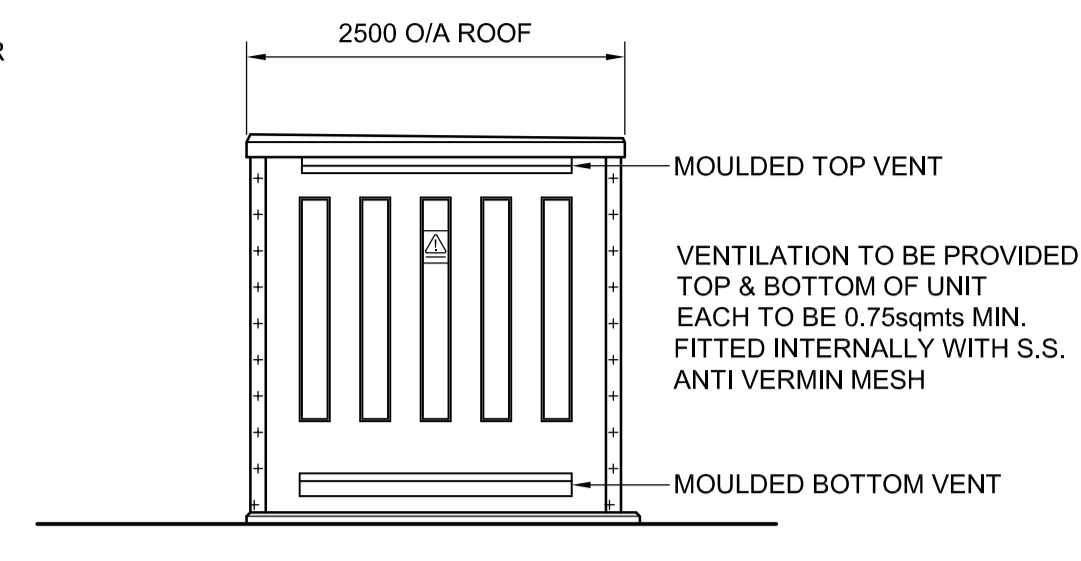
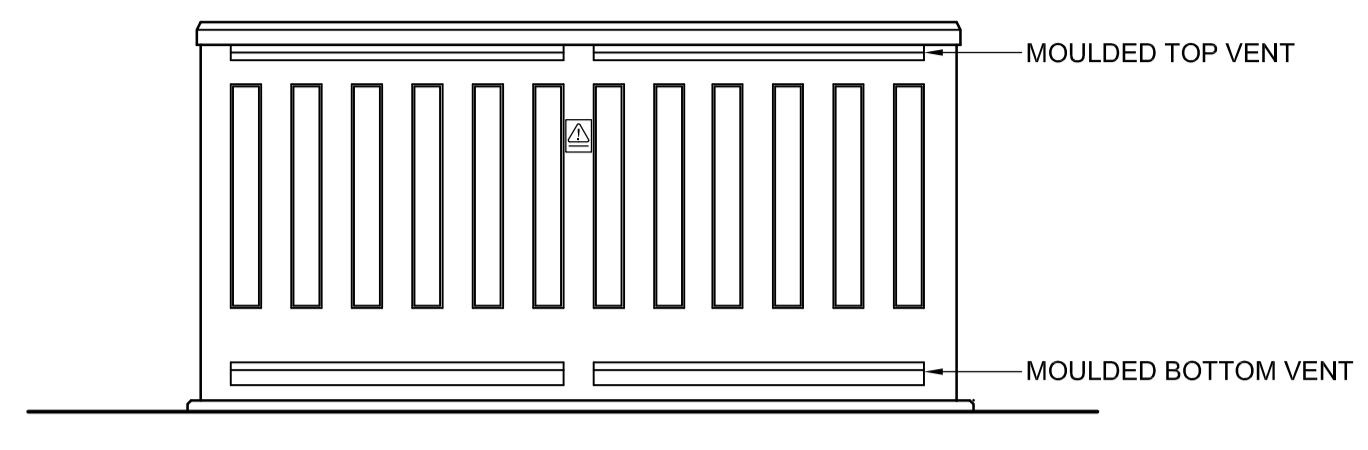


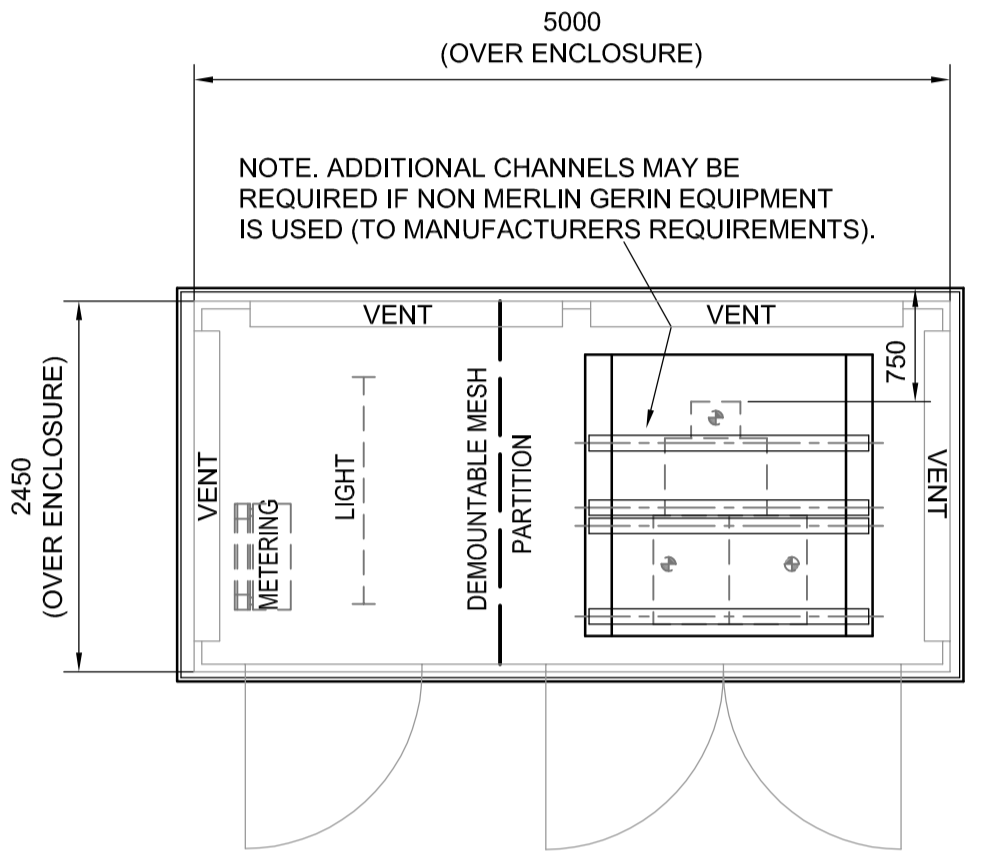
FRONT ELEVATION



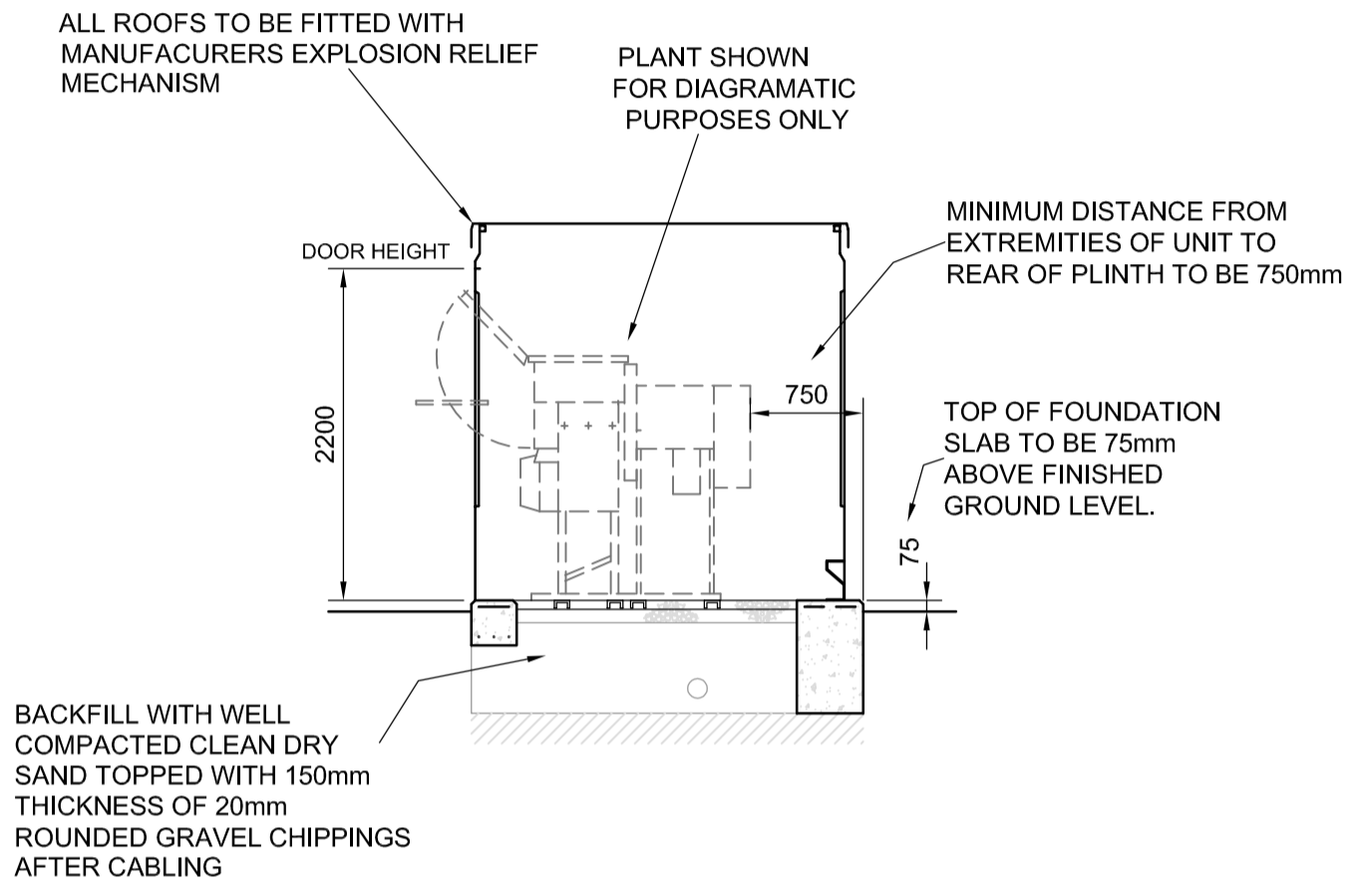
SIDE ELEVATION
OPPOSITE SIDE IDENTICAL



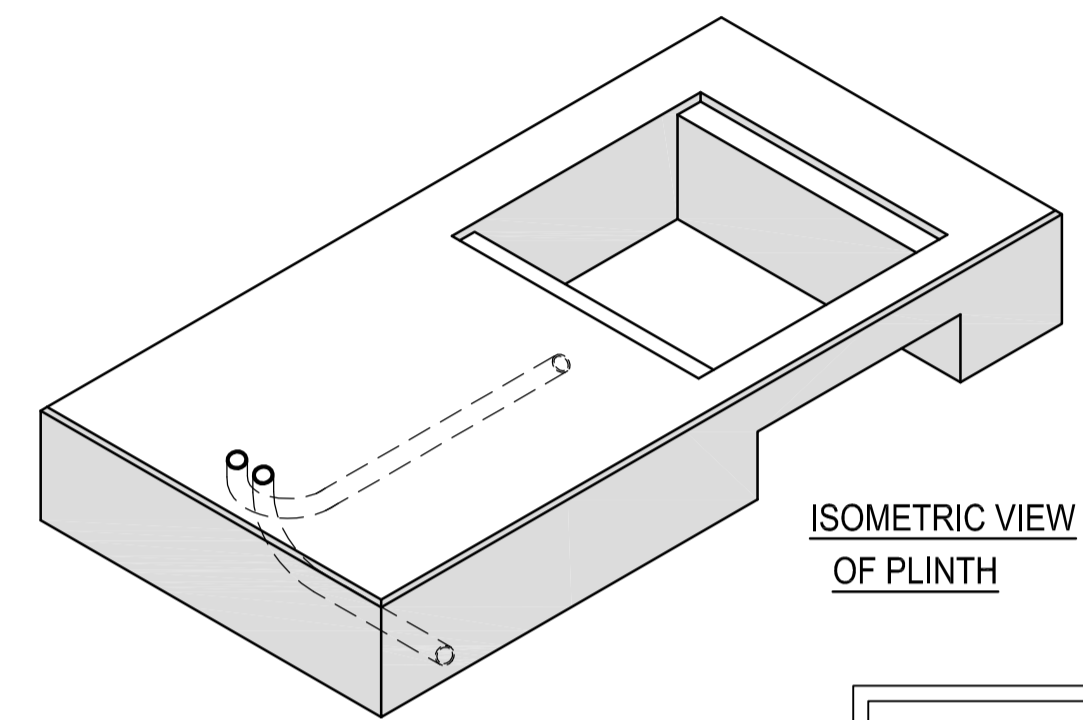
REAR ELEVATION



PLANT LAYOUT PLAN



PLANT SECTION



ISOMETRIC VIEW
OF PLINTH

ENCLOSURE ONLY SUITABLE WHEN
ERECTED AT A DISTANCE OF ONE
METRE OR GREATER FROM BOUNDARY

NOTES

CONCRETE
THE CONCRETE TO BE IN ACCORDANCE WITH THE SPECIFICATION
AND ATTAIN THE RELEVANT CUBE CRUSHING STRENGTH AT 28 DAYS.

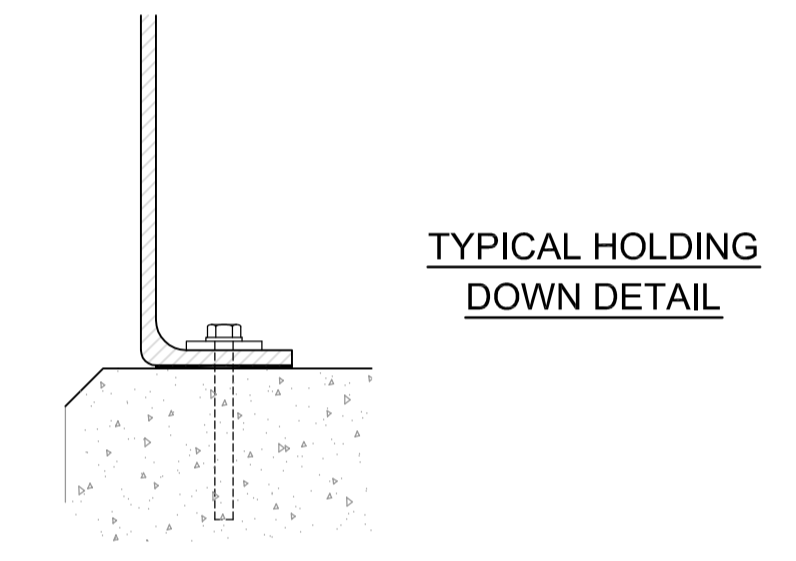
EARTHWORKS
PLINTH TO BE SET ON UNDISTURBED INORGANIC STRATA
THAT PROVIDE THE REQUIRED MINIMUM DESIGN SAFE
GROUND BEARING CAPACITY.

PLINTH (CONCRETE 40N/mm² 28 DAY CUBE STRENGTH)
A FLAT, LEVEL AND SMOOTH FLOOR SURFACE IS ESSENTIAL
FOR INSTALLATION OF PLANT. TOLERANCE TO FINISHED
LEVEL EXPRESSED AS A MAXIMUM PERMISSIBLE DEVIATION
BENEATH A STRAIGHT EDGE WITH FEET PLACED ANYWHERE
ON THE FLOOR SHALL NOT EXCEED 1mm IN 1M OR 3mm IN 3M.

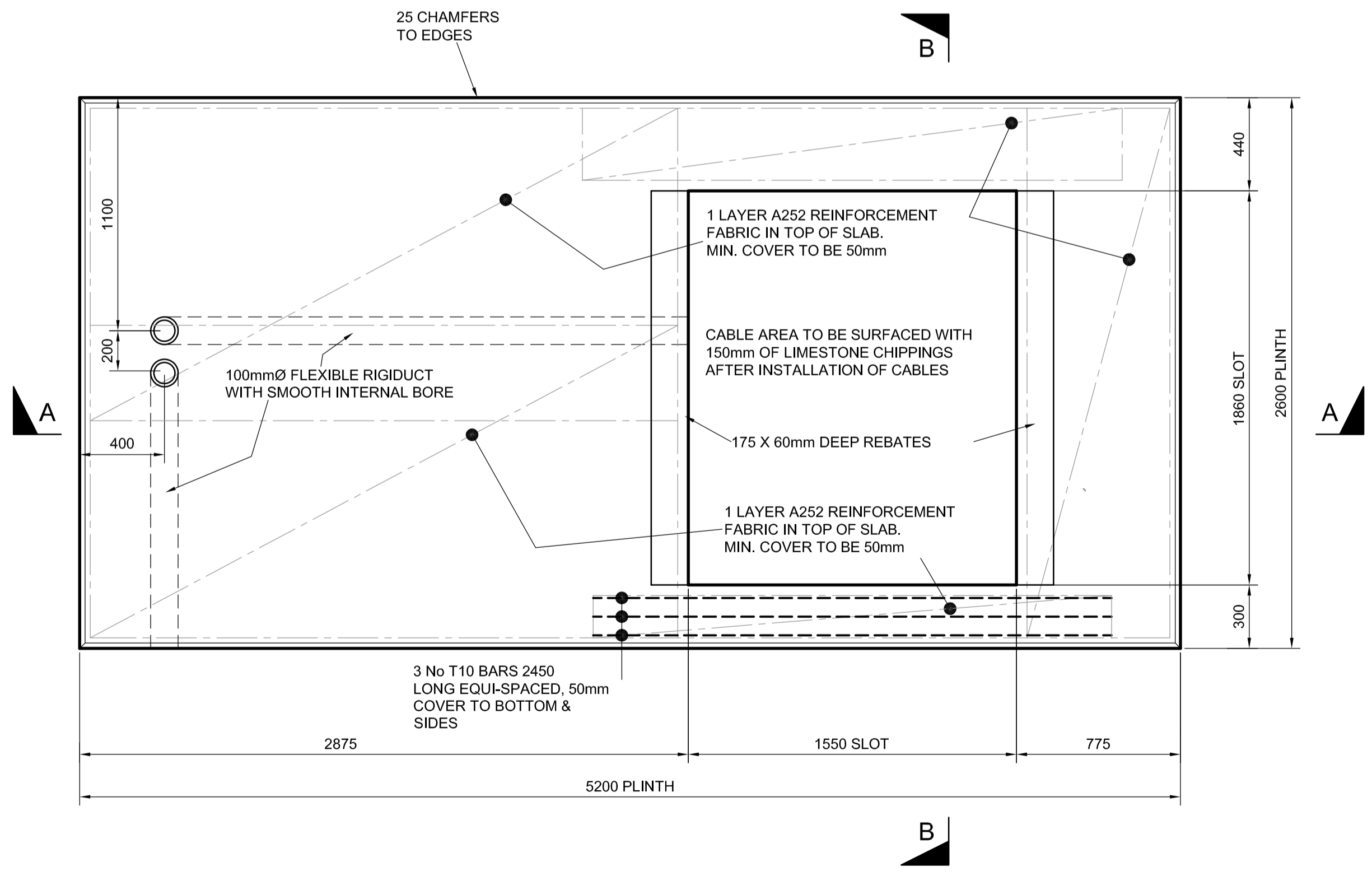
CABLE SLOT
ON COMPLETION OF CABLING, CABLE AREA TO BE
FILLED WITH DRY SAND AND TOPPED WITH
150mm DEPTH OF 20mm ROUNDED GRAVEL CHIPPINGS

FOUNDATION & FLOOR LAYOUT DETAILS INDICATED ARE TYPICAL
FOR UNIT SUBSTATIONS HOUSING OUTDOOR EQUIPMENT
AND WOULD NOT THEREFORE BE APPLICABLE TO OTHER
SUBSTATION TYPES.

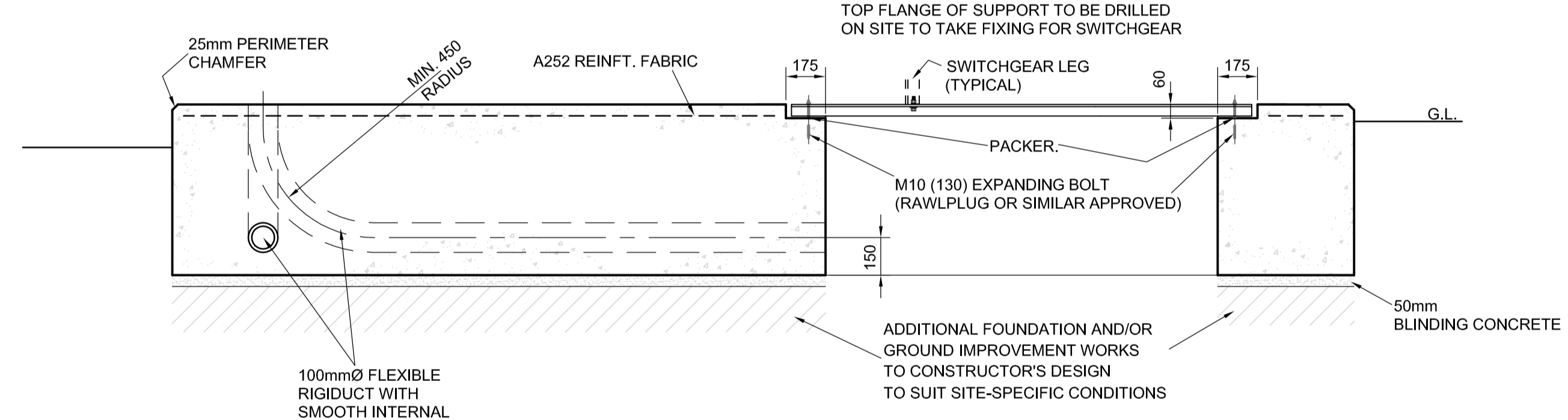
**THIS DRAWING TO BE READ IN CONJUNCTION WITH
SUB-03-017 'GENERAL SPECIFICATION FOR THE
CIVIL ENGINEERING AND BUILDING DESIGN AND
CONSTRUCTION OF SECONDARY SUBSTATIONS'**



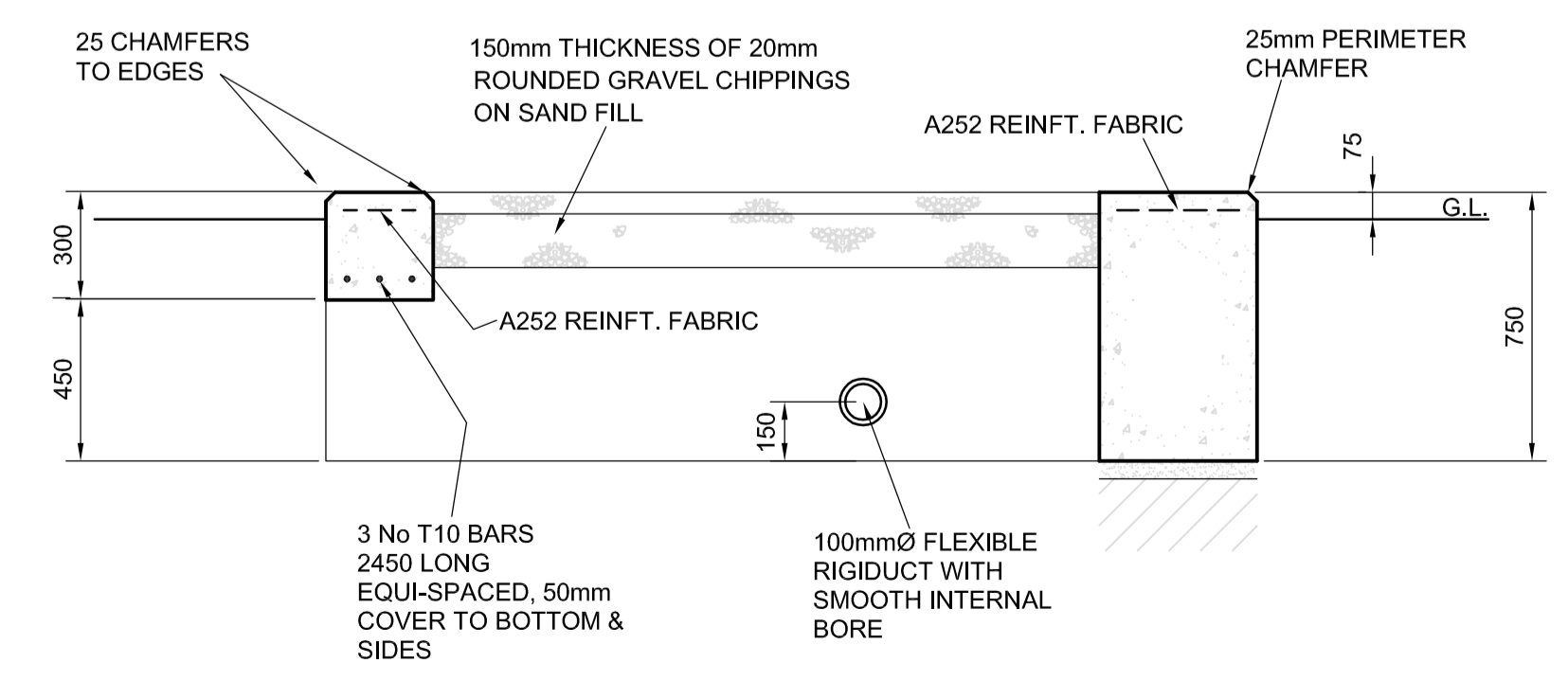
TYPICAL HOLDING
DOWN DETAIL



FOUNDATION PLAN
SCALE 1:20



SECTION A - A
SCALE 1:20



SECTION B - B
SCALE 1:20

| | | |
|----------|----------|----------|
| Rev. | Date | UPDATED. |
| 5.0 | MAR.2010 | |
| Drawn | M.T. | |
| Checked | C.W. | |
| Approved | A.J.R. | |



SP PowerSystems Ltd
System Design, Drawing Office
3 Prenton Way, Prenton, CH43 3ET
Telephone 0151 6092491

**TYPICAL FOUNDATION PLINTH FOR 11KV UNIT SUBSTATION
RMU WITH METERING, 5.0 X 2.5M GRP ENCLOSURE**

| | | | | | |
|--|-----------|---------|----------|------------------|------------|
| Location TYPICAL | | | | | |
| Drawn | Date | Checked | Date | Approved | Date |
| SPEN | 27/03/96 | SPEN | 27/03/96 | SPEN | 27/03/96 |
| Status | FOR ISSUE | | | Drg. No. | Rev. |
| | | | | SP2142493 | 5.0 |
| © Copyright property of SP PowerSystems Ltd. | | | | | Scale |
| | | | | | 1:50 |
| | | | | | Size |
| | | | | | A1 |