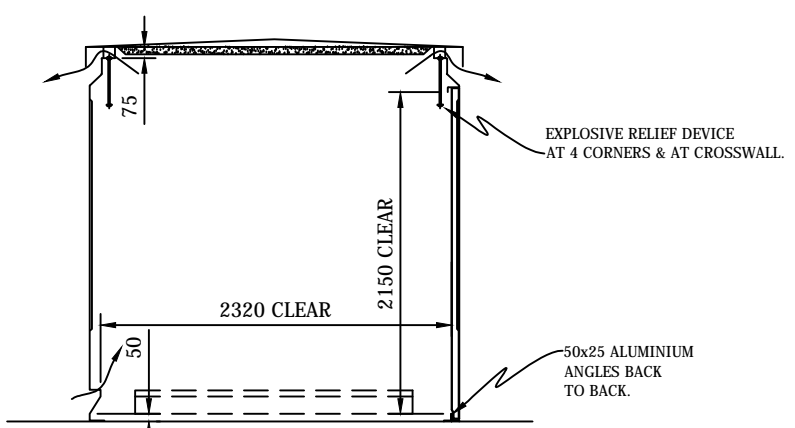
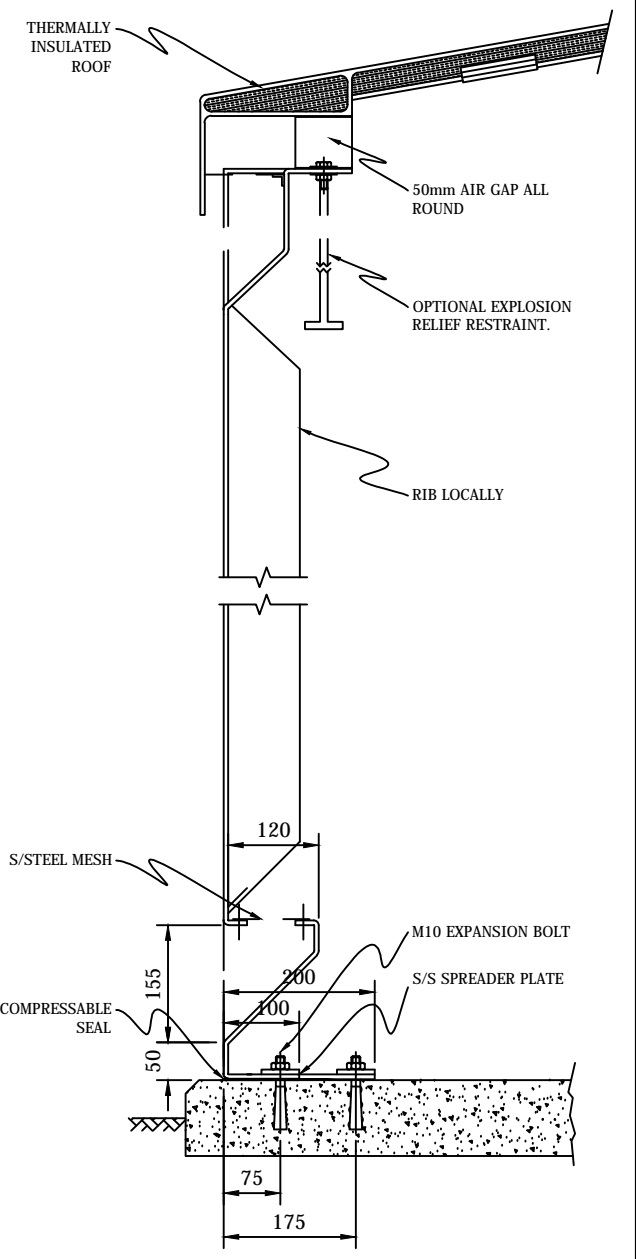


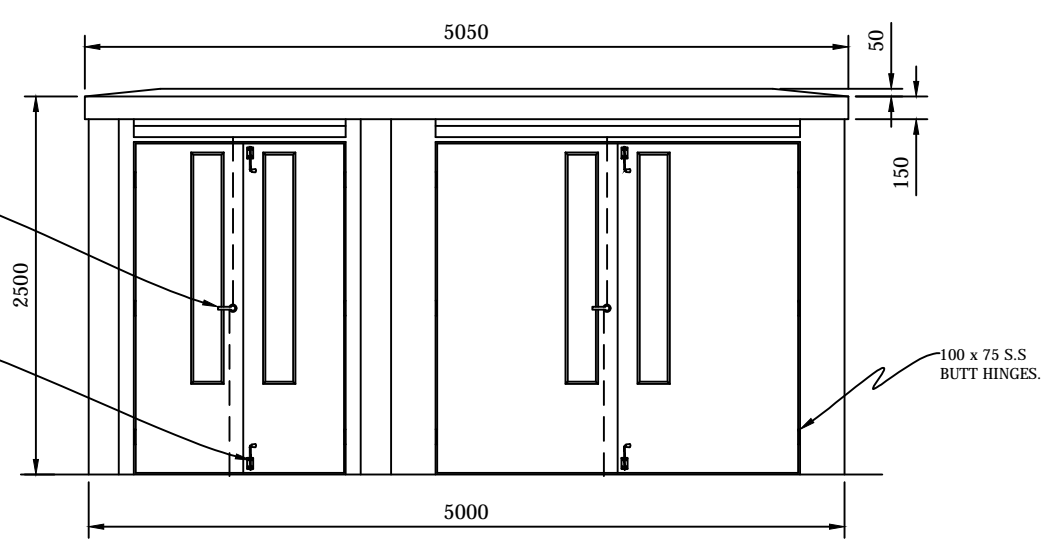
VIEW B



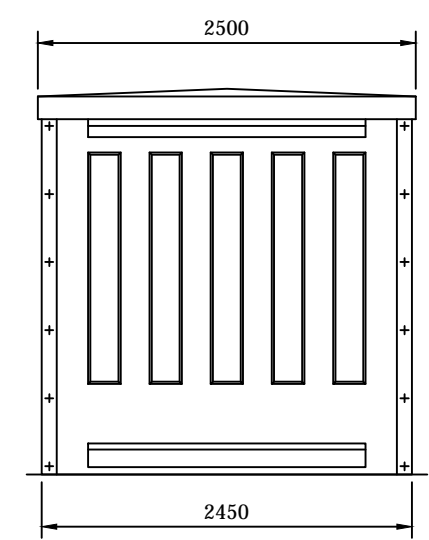
SECTION A-A



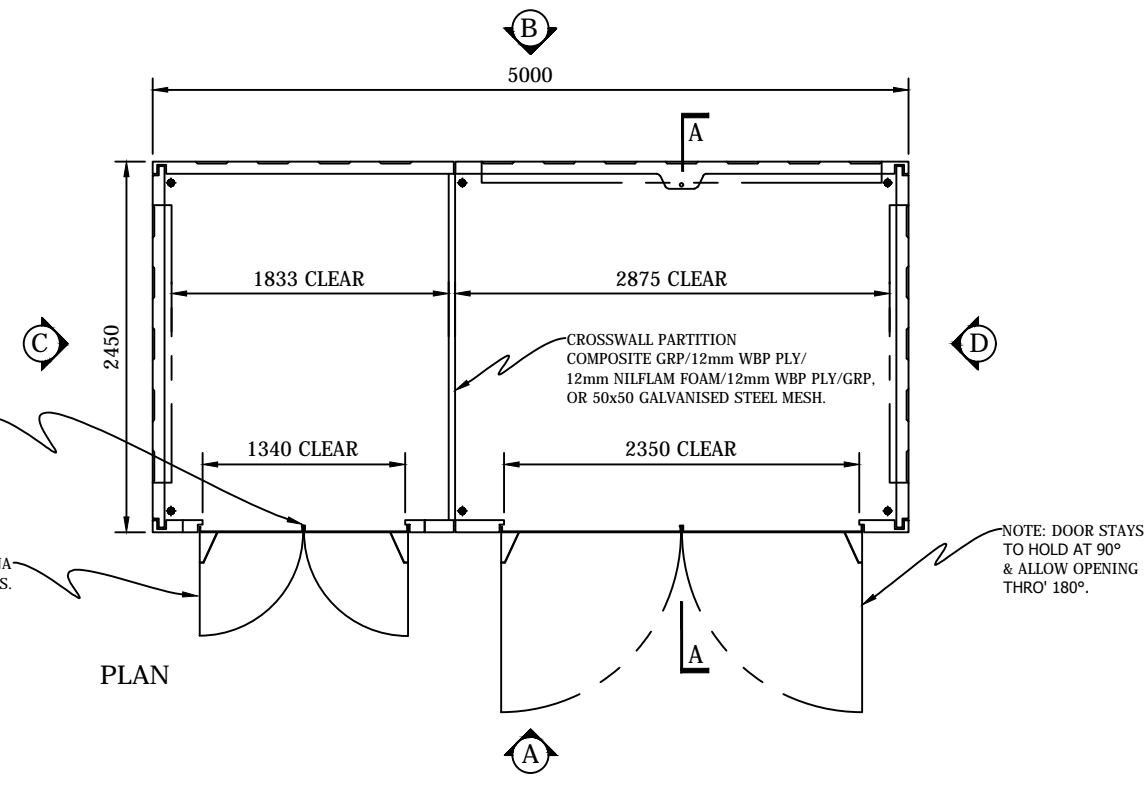
TYPICAL WALL SECTION



VIEW A



VIEW C & D



PLAN

NOTE:  
ENCLOSURE CAN BE SUPPLIED  
WITH SMALL COMPARTMENT  
ON THE LEFT HAND SIDE OR  
RIGHT HAND SIDE.

LEFT HAND SIDE DRAWN.

KINPARS INDUSTRIAL PLASTICS LTD  
WHITLAW ROAD INDUSTRIAL ESTATE  
LAUDER SCOTTISH BORDERS TD2 6QA



TELEPHONE: 01578 718855  
FACSIMILE: 01578 718844  
EMAIL: admin@kinpars.co.uk  
WEB: www.kinpars.co.uk

CLIENT	SPEN		
PROJECT	UNIT SUB-STATION WITH ADJACENT METERING EQUIPMENT		
TITLE	TYPE B		
DRG No	SPEN-GRP-B		

DATE	SCALE	SHEET	REVISION
2018-05-14	1:50 & 1:10		