

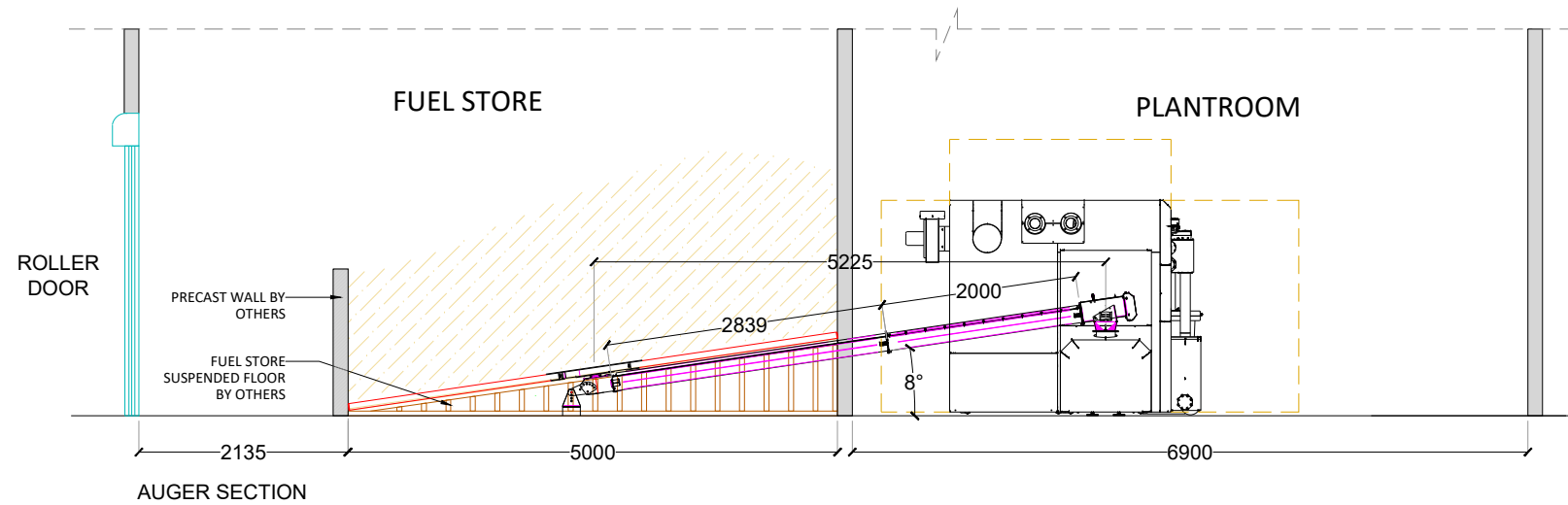
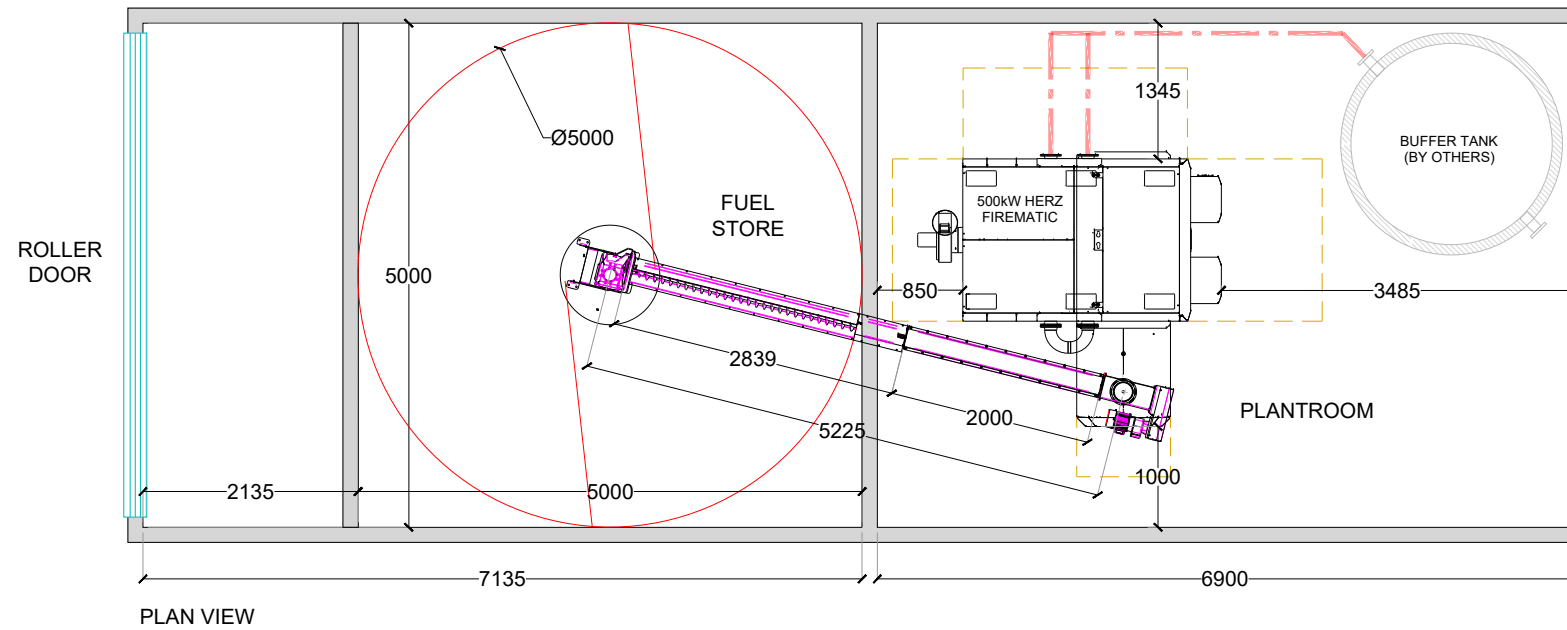
THIS DRAWING IS COPYRIGHT OF ALTERNATIVE HEAT LTD.
 THIS DRAWING MAY NOT BE COPIED OR REPRODUCED WITHOUT THE
 CONSENT OF ALTERNATIVE HEAT LTD.
 THIS DRAWING IS FOR USE ON THIS PROJECT ONLY UNLESS
 CONTRACTUALLY OTHERWISE STATED.

DO NOT SCALE THIS DRAWING (PRINTED OR ELECTRONIC VERSIONS).
 THIS DRAWING IS FOR SPATIAL CO-ORDINATION PURPOSES ONLY. ALL
 CONTRACTORS ARE RESPONSIBLE FOR SETTING OUT AND MUST CHECK
 ALL LEVELS AND DIMENSIONS PRIOR TO INSTALLATION /
 CONSTRUCTION.

ALL OTHER DESIGN ELEMENTS, WHERE INDICATED, HAVE BEEN
 IMPORTED FOR EXTERNAL CONSULTANTS DRAWINGS AND REFERENCE
 SHOULD BE MADE TO THE INDIVIDUAL CONSULTANT DRAWINGS FOR
 EXACT DIMENSIONS & CO-ORDINATION PRIOR TO ONSITE
 INSTALLATION.

DISCREPANCIES AND/OR AMBIGUITIES WITHIN THIS DRAWING AND
 INFORMATION PROVIDED ELSEWHERE, MUST BE REPORTED
 IMMEDIATELY TO ALTERNATIVE HEAT LTD. FOR CLARIFICATION BEFORE
 PROCEEDING WITH INSTALLATION.

ALL WORKS ARE TO BE CARRIED OUT IN ACCORDANCE WITH THE
 LATEST BRITISH STANDARDS AND CODES OF PRACTICE UNLESS
 SPECIFICALLY DIRECTED OTHERWISE IN THE SPECIFICATION.



P1	FIRST ISSUE	OF	EE	08-01-21
rev	revision description	drw	chk	date

status:

PRELIMINARY

client:



project title:

SERVICE TIMBER

drawing title:

GENERAL ARRANGEMENT

drawing no:

DR2101-ALT-ZZ-XX-DR-A-1001 P1

date: 08.01.2021 scale: A3 @ NTS

drawn by: OF checked by: EE



Head Office: Unit 18 - 19 Scarva Road Industrial Estate,
 Scarva Road, Banbridge, Co. Down, BT32 3QD
 Tel: +44 (0) 28 437 70700 Fax: +44 (0) 28 437 78404

info@alternativeheat.co.uk | www.alternativeheat.co.uk