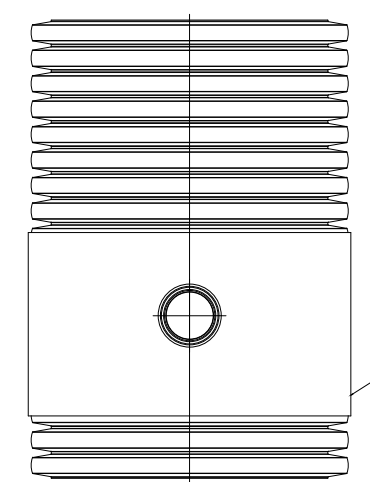
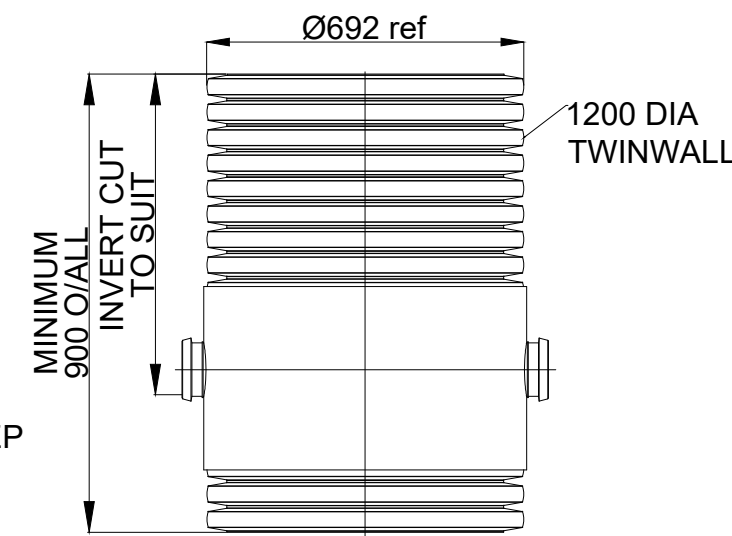


CATCHPIT CHAMBER PLAN

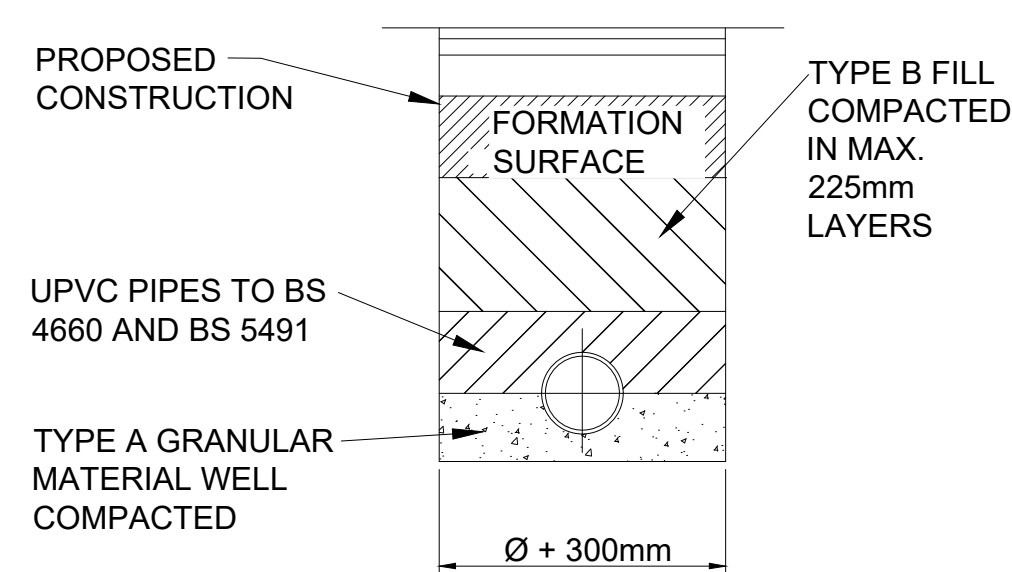


CATCHPIT CHAMBER ELEVATION

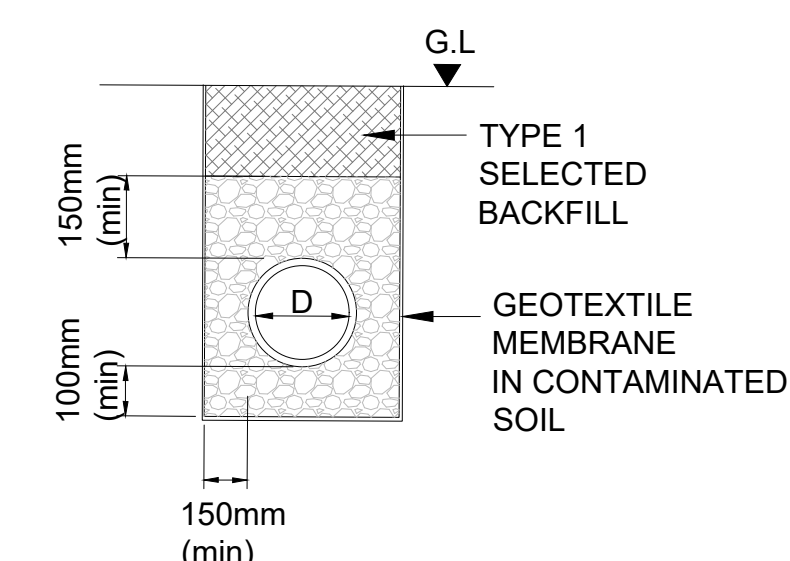


CATCHPIT CHAMBER ELEVATION

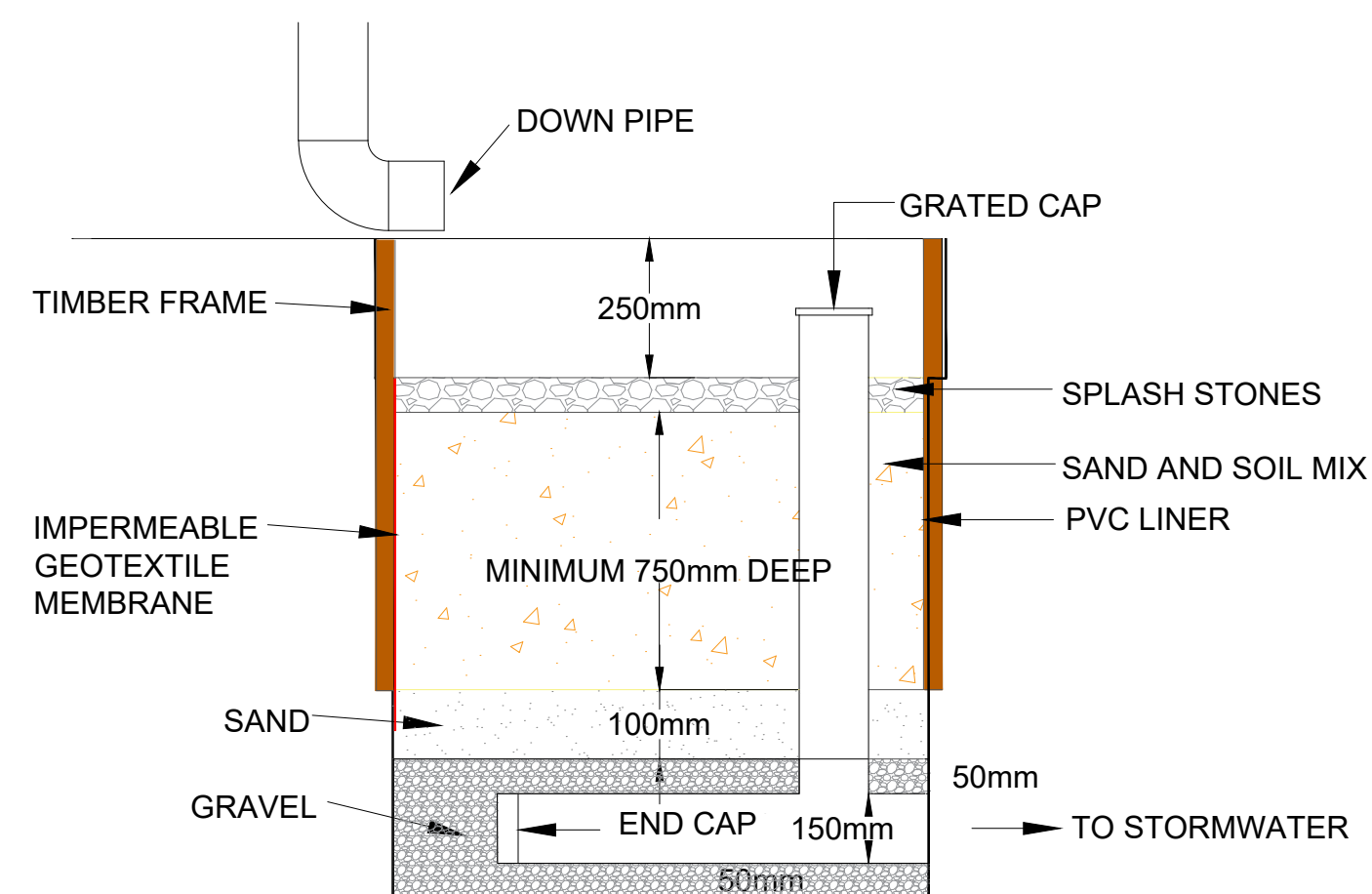
| TRENCH BEDDING AND FILL MATERIALS | | | | | | | | |
|-----------------------------------|-----------------------------|---|--------|--------|--------|--------|------|------|
| GRANULAR BEDDING TYPE A | | | | | | | | |
| TYPE | USE FOR NOMINAL PIPE (DIA.) | % PASSING BY MASS BS 410 SIEVE SIZES (mm) | | | | | | |
| | | 63 | 37.5 | 20 | 14 | 10 | 5 | 2.36 |
| A40 | >1350 | 100 | 85-100 | 0-25 | - | 0-5 | - | - |
| A20 | 600-1350 | - | - | 85-100 | - | 0-25 | 0-5 | - |
| A14 | 300-525 | - | - | 100 | 85-100 | 0-50 | 0-10 | - |
| A10 | <300 | - | - | - | 100 | 85-100 | 0-25 | 0-5 |



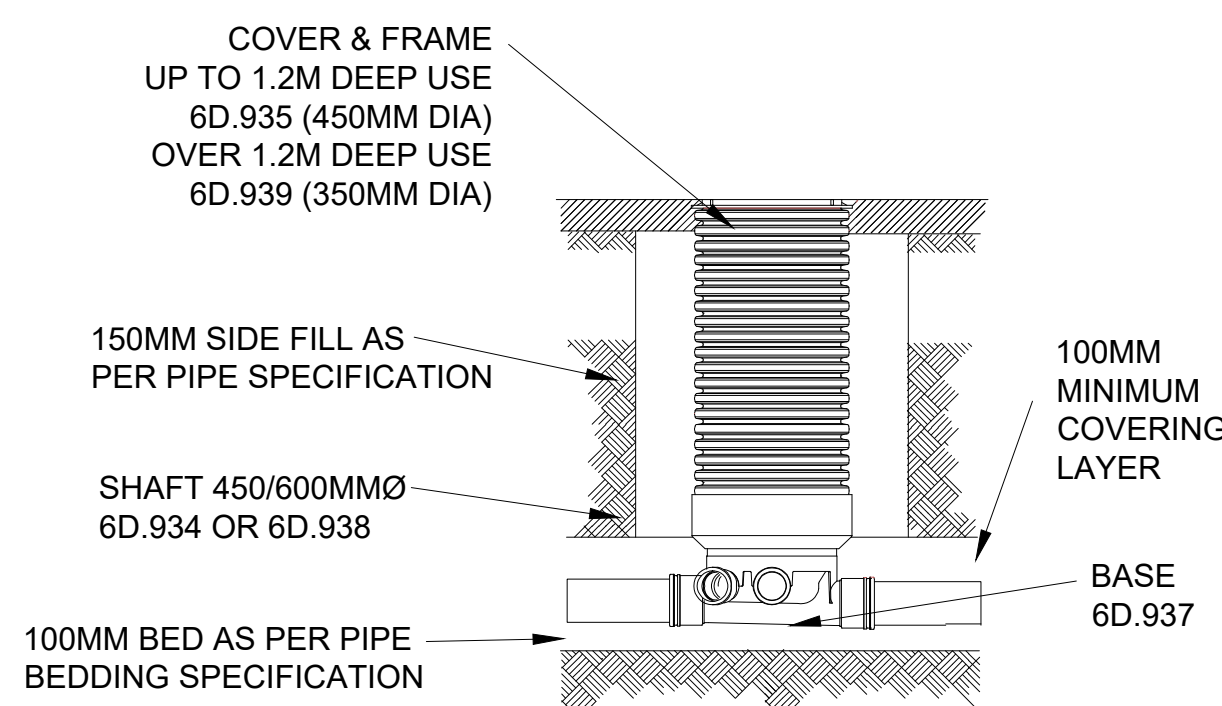
TYPICAL PIPE BEDDING DETAIL (UPVC PIPES)



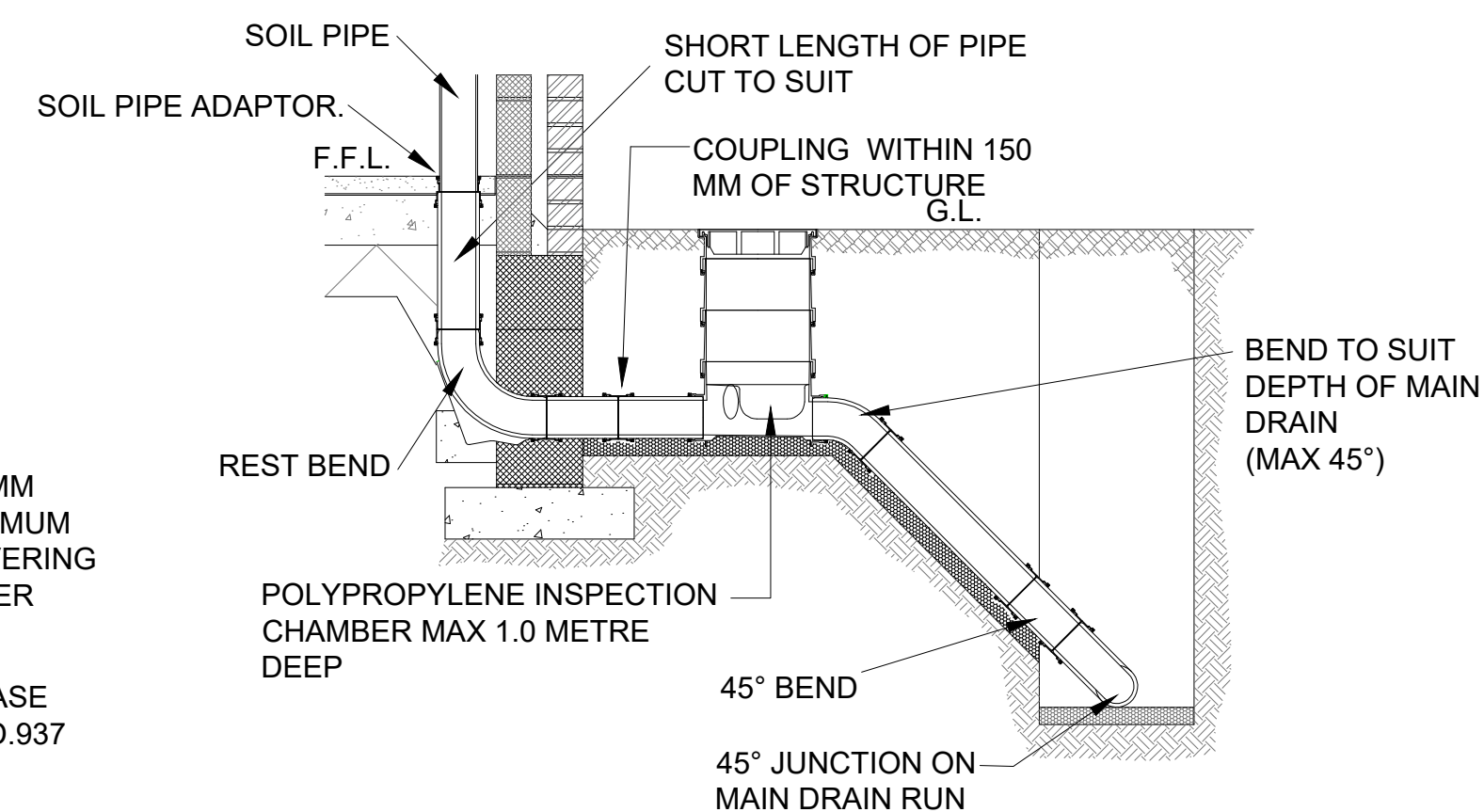
FULL GRANULAR SURROUND CLASS S



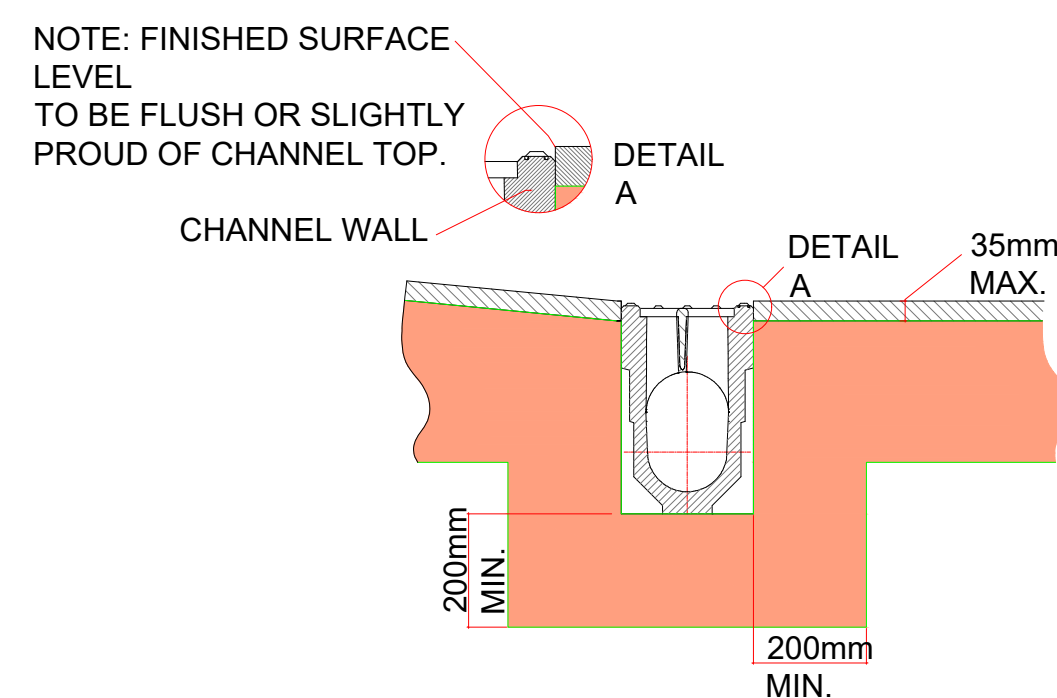
PLANTING TO BE CONFIRMED BY LANDSCAPE ARCHITECT
RAINGARDEN PLANTER CROSS SECTION (NTS)



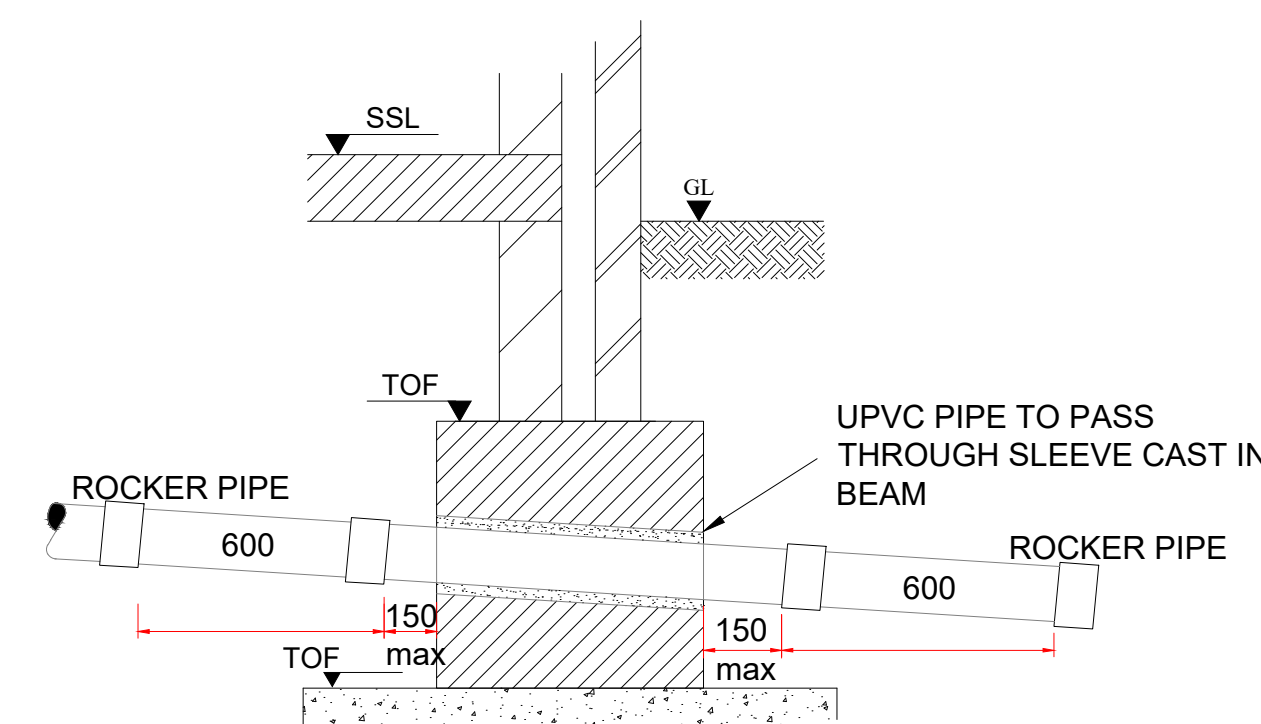
TYPICAL INSPECTION CHAMBER DETAIL



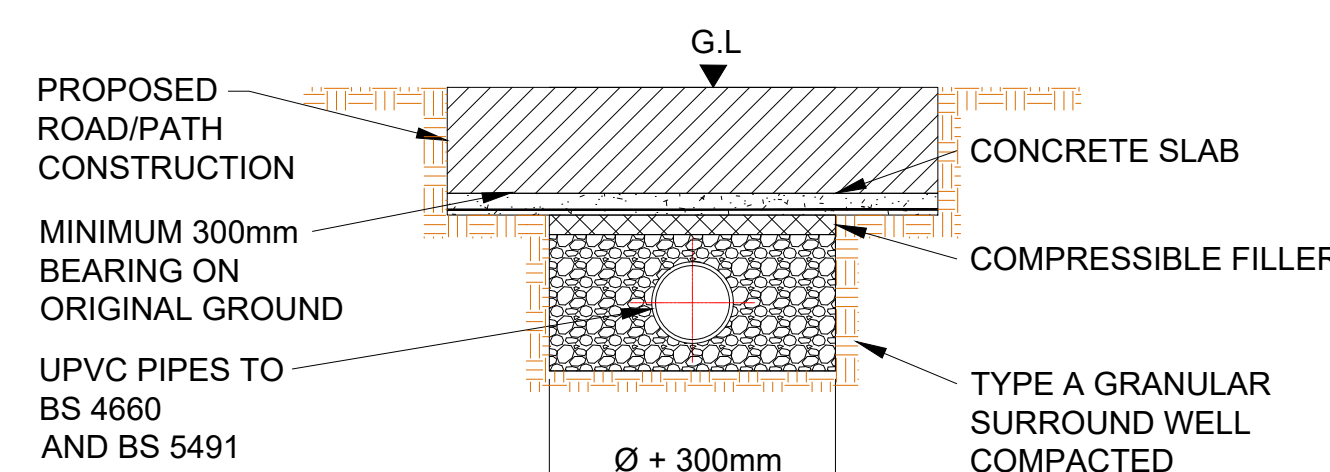
SHALLOW INSPECTION CHAMBER DETAIL



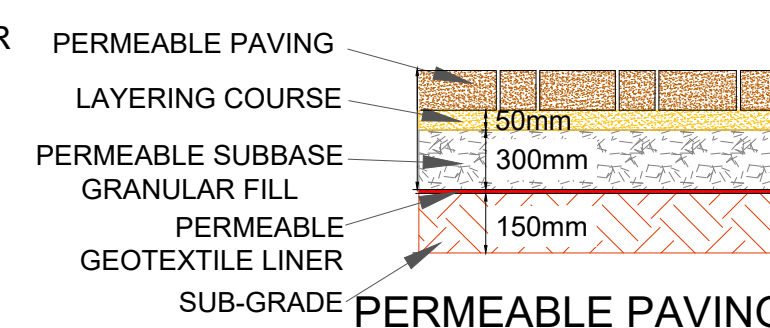
ACO ROAD DRAIN DETAIL



DETAIL OF DRAIN PASSING THROUGH GROUND BEAM OR OTHER STRUCTURE



PROTECTION FOR PIPES LAID AT SHALLOW DEPTHS (UPVC PIPES)



CROSS-SECTION (NON-STORAGE ROAD MAKE-UP)

IMPORTANT

THIS DRAWING IS TO BE CHECKED ON SITE BY THE CONTRACTOR PRIOR TO THE COMMENCEMENT OF THE WORKS. ANY DISCREPANCY MUST BE REPORTED TO THE ENGINEER.

NO DEVIATION MAY BE MADE FROM THE CONTENTS OF THIS DRAWING WITHOUT PRIOR PERMISSION FROM THE ENGINEER.

THIS DRAWING IS TO BE REMOVED FROM CURRENCY IMMEDIATELY AFTER A REVISED EDITION HAS BEEN ISSUED.

ALL RIGHTS DESCRIBED IN CHAPTER IV OF THE COPYRIGHT DESIGN ACTS 1988 HAVE BEEN GENERALLY ASSERTED.

| REV | DATE | DRAWN | DESCRIPTION | CHECK | APPR. |
|-----|----------|-------|-----------------|-------|-------|
| A | 15-12-20 | CH | For Information | RH | SL |

PROJECT:
LAND ADJACENT TO 1 MOUNT VIEW

TITLE:
SURFACE WATER NETWORK AND SuDS DRAINAGE DETAILS

CLIENT:
JOHN PERRIN & SONS LTD



| | | | |
|--------------------|-------------------|-----------------------------|-------------------|
| CHECKED BY: S.L | DATE: 15-12-20 | APPROVED BY: S.L | DATE: 15-12-20 |
| DRN BY: C.H | SCALE: N.T.S | DRAWING NUMBER: C2362-04 | REV: A |
| DATE: 15-12-20 | SIZE: A1 | | |