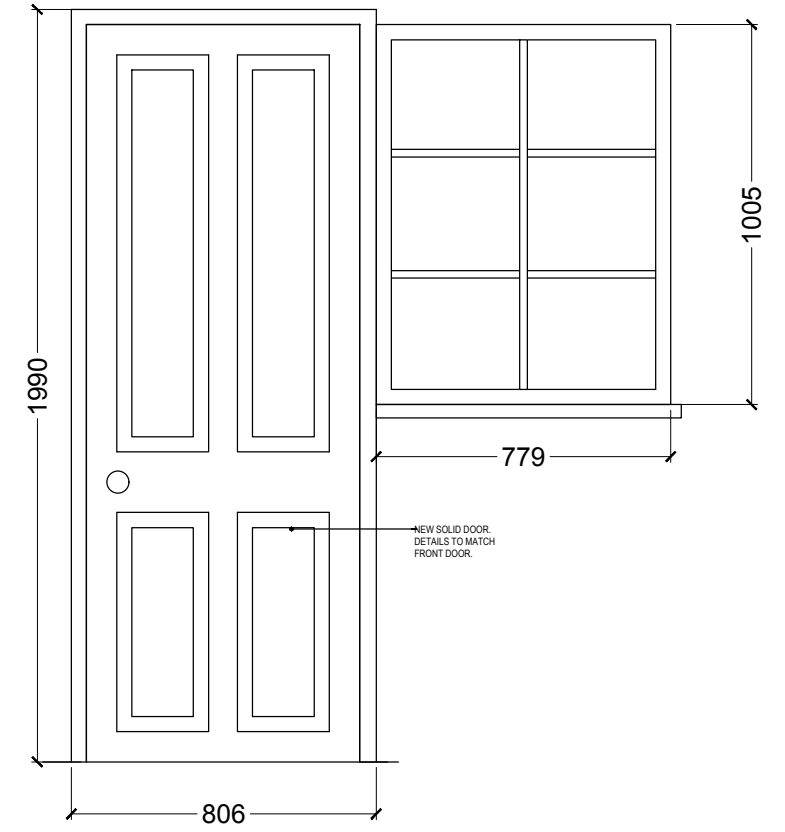
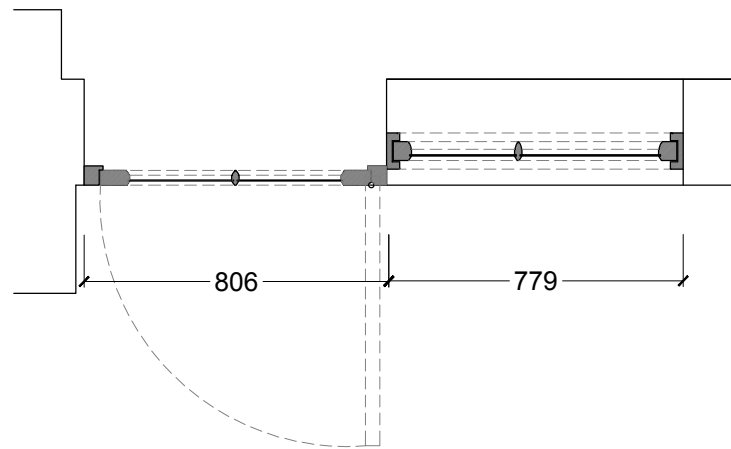


3 PROPOSED MULLION DETAIL
SCALE:1:1@A3



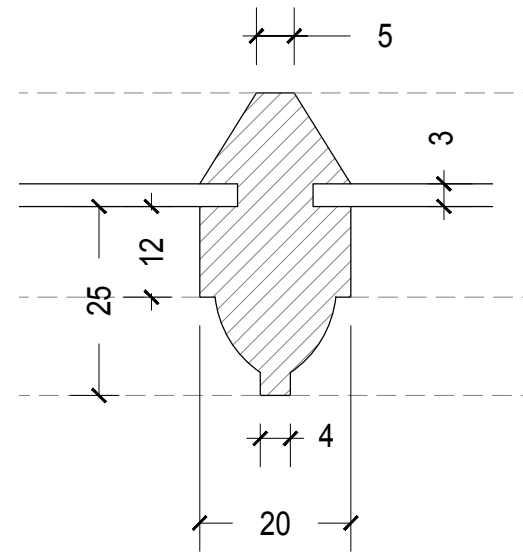
4 W.L.G.02 - PROPOSED LAUNDRY WINDOW & DOOR DETAILS
SCALE:1:20@A3



1 W.L.G.02 - LAUNDRY EXISTING WINDOW DETAILS
SCALE:1:20@A3

NOTES:

- EXISTING WINDOW TO BE REPLACED WITH 8.8MM SINGLE GLAZED LAMINATED UNIT.
- THIS IS TO UNIFY THE FRAMES, WHICH HAVE BEEN MODIFIED SINCE ORIGINAL CONSTRUCTION.
- GLASS SPEC. 8.8MM LAMINATED PILKINGTON OPTIPHON GLASS. REFER TO SPECIFICATION FOR DETAILS.



2 EXISTING MULLION DETAIL
SCALE:1:1@A3



EXISTING WINDOW

EXISTING DOOR



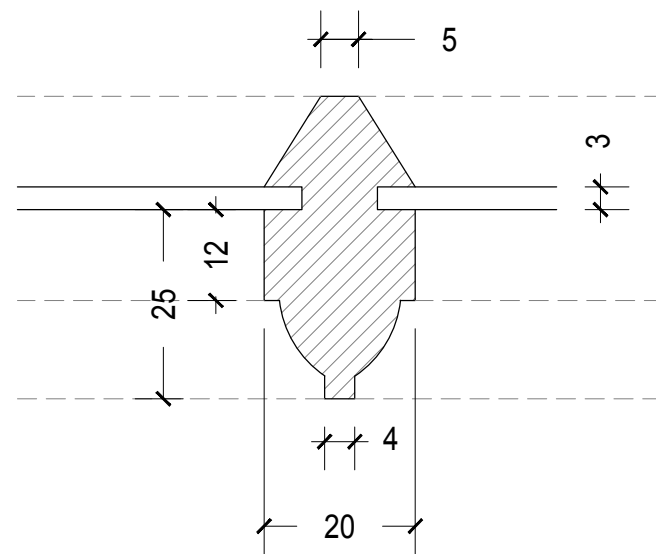
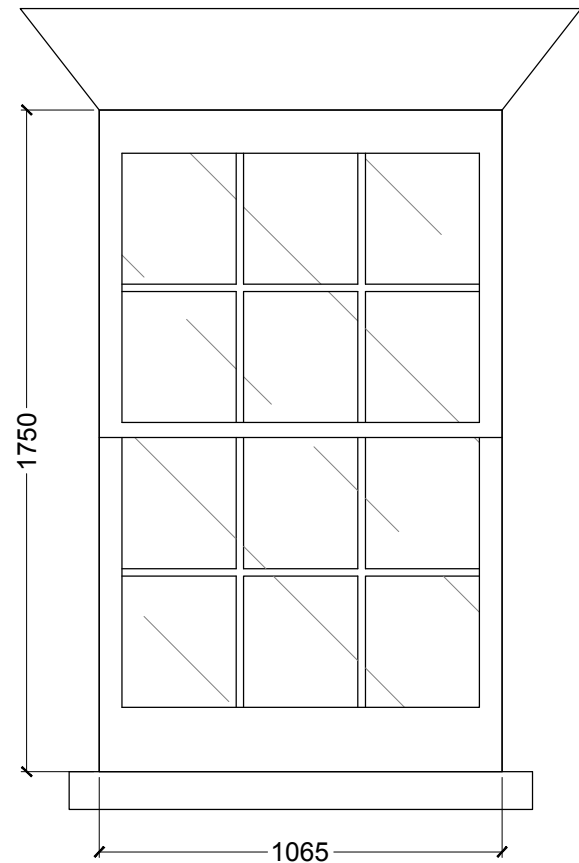
RAINSFORD
LONDON

This drawing incorporating the original designs and conceptions of the designer is protected by copyright and is the sole property of the designer. No part whatsoever may be copied, reproduced, modified or used in any manner without written permission © Rainsford LTD 2015

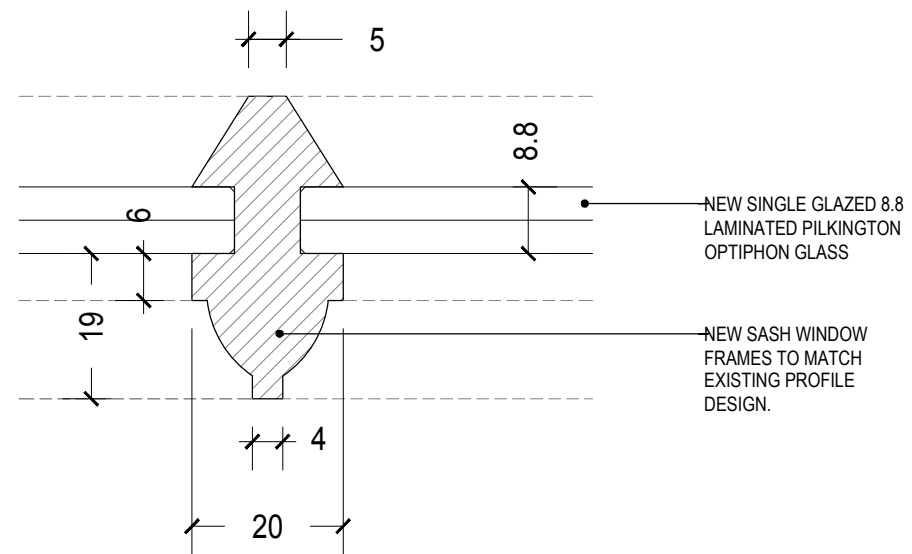
Information not to be used other than as defined by the drawing status
All dimensions are in millimeters and levels in meters.
This drawing is to be read and not to be scaled.
This drawing is a copyright and property of Rainsford Ltd. It is not to be produced, copied, handed over to third party or used for any other purposes other than for which is intended, all dimensions shall be verified on site prior to start of work. Any discrepancy shall be brought to the notice of the architect.
The construction manager / contractor must check all dimensions and details and be responsible for the same. Any discrepancies shall be brought to the notice of the architect.
This drawing shall be read in conjunction with all relevant architectural, structural and services drawings. Any discrepancies noticed shall be brought to the attention of the architect and consultants. Any discrepancies noticed shall be brought to the attention prior to execution of works.
Drawing approval is for the conformity with outline design intent only and does not relieve the project manager / contractors / sub-contractors from the accuracy, integration and fitness for purpose of design.
Design drawings copyright Rainsford Ltd.



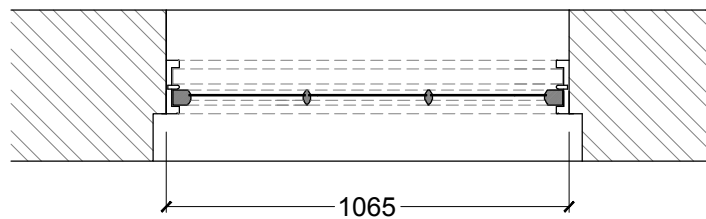
Rev.	Modification	Date	Title:
			26 Lower Belgrave Street
			W.L.G.02
			Status: Proposed
			Scale: 1:50 Drawing No: RAI 055 W.L.G.02
			Format: A3 Start date: 23/10/2020
			Drawn: JF Issue date: 23/10/2020
			Checked: RM Sheet:
			Contractor reference: Revision:
			Rainsford Ltd. The Annex, Harley House, Oxford Road, Donnington Newbury, Berkshire, RG14 2JD info@rainsforddb.com www.rainsforddb.com Tel: +44(0)20 7381 1668



2 EXISTING MULLION DETAIL
SCALE 1:1@A3



3 PROPOSED MULLION DETAIL
SCALE 1:1@A3



1 W.S.01 & 02 - BEDROOM 1 EXISTING WINDOW DETAILS
SCALE 1:20@A3

NOTES:

- EXISTING WINDOW TO BE REPLACED WITH 8.8MM SINGLE GLAZED LAMINATED UNIT.
- THIS IS TO UNIFY THE FRAMES, WHICH HAVE BEEN MODIFIED SINCE ORIGINAL CONSTRUCTION.
- GLASS SPEC. 8.8MM LAMINATED PILKINGTON OPTIPHON GLASS. REFER TO SPECIFICATION FOR DETAILS.



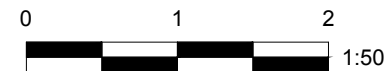
EXISTING WINDOW



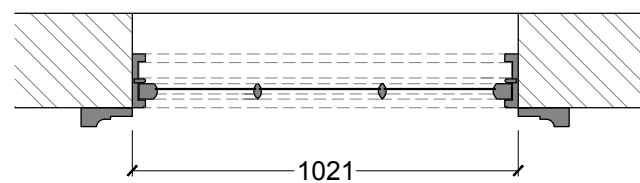
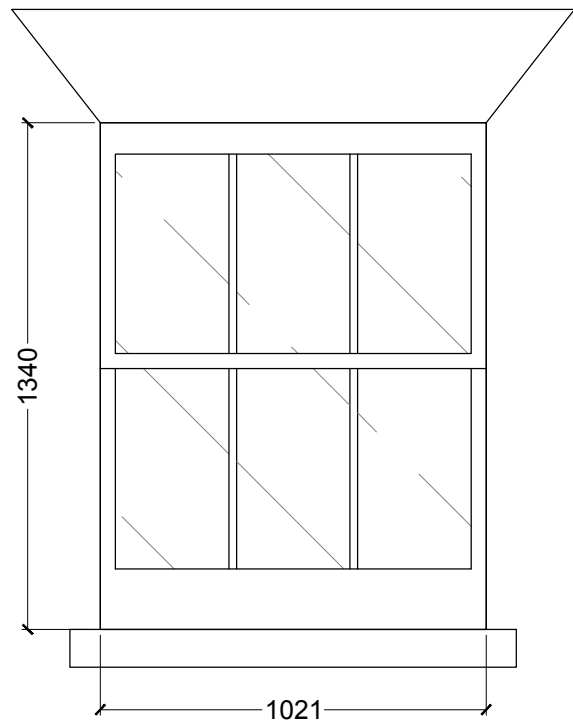
RAINSFORD
LONDON

This drawing incorporating the original designs and conceptions of the designer is protected by copyright and is the sole property of the designer. No part whatsoever may be copied, reproduced, modified or used in any manner without written permission © Rainsford LTD 2015

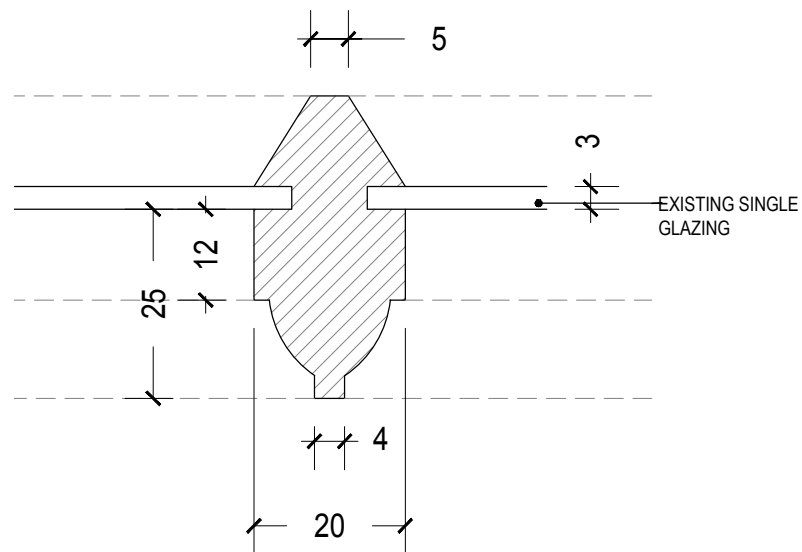
Information not to be used other than as defined by the drawing status.
All dimensions are in millimeters and levels in meters.
This drawing is to be read and not to be scaled.
This drawing is a copyright and property of Rainsford Ltd. It is not to be produced, copied, handed over to third party or used for any other purposes other than for which it is intended. All dimensions shall be verified on site prior to start of work. Any discrepancy shall be brought to the notice of the architect.
The construction manager / contractor must check all dimensions and details and be responsible for the same. Any discrepancies shall be brought to the notice of the architect. This drawing shall be read in conjunction with all relevant architectural, structural and services drawings. Any discrepancies noticed shall be brought to the attention of the architect and consultants. Any discrepancies noticed shall be brought to the attention prior to execution of works.
Drawing approval is for the conformity with outline design intent only and does not relieve the project managers / contractors / sub-contractors from the accuracy, integration and fitness for purpose of design.
Design drawings copyright Rainsford Ltd.



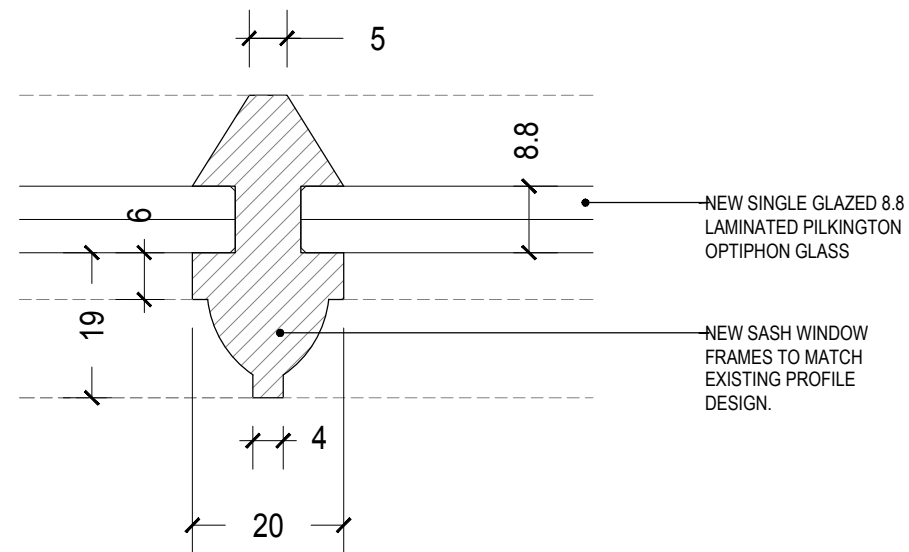
Rev.	Modification	Date	Title:
			26 Lower Belgrave Street
			W.S.01 & 02
			Status: Proposed
			Scale: 1:50 Drawing No: RAI 055.W.S.01.02
			Format: A3 Start date: 22/10/2020
			Drawn: JF Issue date: 23/10/2020
			Checked: RM Sheet:
			Contractor reference: Revision:
			Rainsford Ltd. The Annex, Harley House, Oxford Road, Donnington Newbury, Berkshire, RG14 2JD info@rainsfordb.com www.rainsfordb.com Tel: +44(0)20 7381 1668



1 W.T.01 & 02 - MASTER BEDROOM EXISTING WINDOW
SCALE:1:20@A3



2 EXISTING MULLION DETAIL
SCALE:1:1@A3



3 PROPOSED MULLION DETAIL
SCALE:1:1@A3

NOTES:

- EXISTING WINDOW TO BE REPLACED WITH 8.8MM SINGLE GLAZED LAMINATED UNIT.

- THIS IS TO UNIFY THE FRAMES, WHICH HAVE BEEN MODIFIED SINCE ORIGINAL CONSTRUCTION.

- GLASS SPEC. 8.8MM LAMINATED PILKINGTON OPTIPHON GLASS. REFER TO SPECIFICATION FOR DETAILS.



EXISTING WINDOW



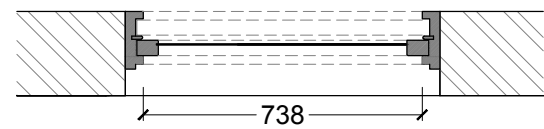
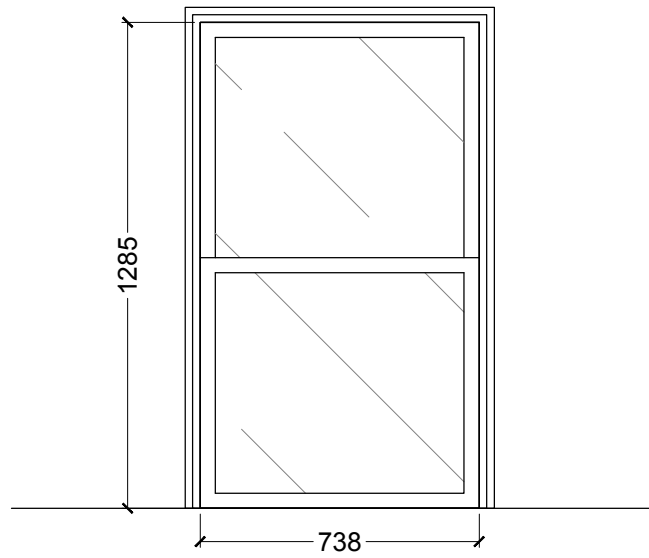
R A I N S F O R D
L O N D O N

This drawing incorporating the original designs and conceptions of the designer is protected by copyright and is the sole property of the designer. No part whatsoever may be copied, reproduced, modified or used in any manner without written permission © Rainsford LTD 2015

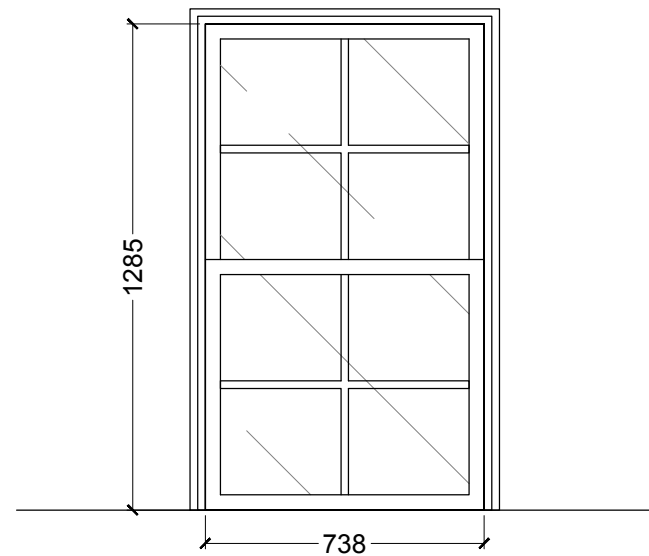
Information not to be used other than as defined by the drawing status.
All dimensions are in millimeters and levels in meters.
This drawing is to be read and not to be scaled.
This drawing is a copyright and property of Rainsford Ltd, is not to be produced, copied, handed over to third party or used for any other purposes other than for which is intended, all dimensions shall be verified on site prior to start of work. Any discrepancy shall be brought to the notice of the architect.
The construction manager / contractor must check all dimensions and details and be responsible for the same. Any discrepancies shall be brought to the notice of the architect.
This drawing shall be read in conjunction with all relevant architectural, structural and services drawings. Any discrepancies noticed shall be brought to the attention of the architect and consultants. Any discrepancies noticed shall be brought to the attention prior to execution of work.
Drawing approval is for the conformity with outline design intent only and does not relieve the project managers / contractors / sub-contractors from the accuracy, integration and fitness for purpose of design.
Design drawings copyright Rainsford Ltd.



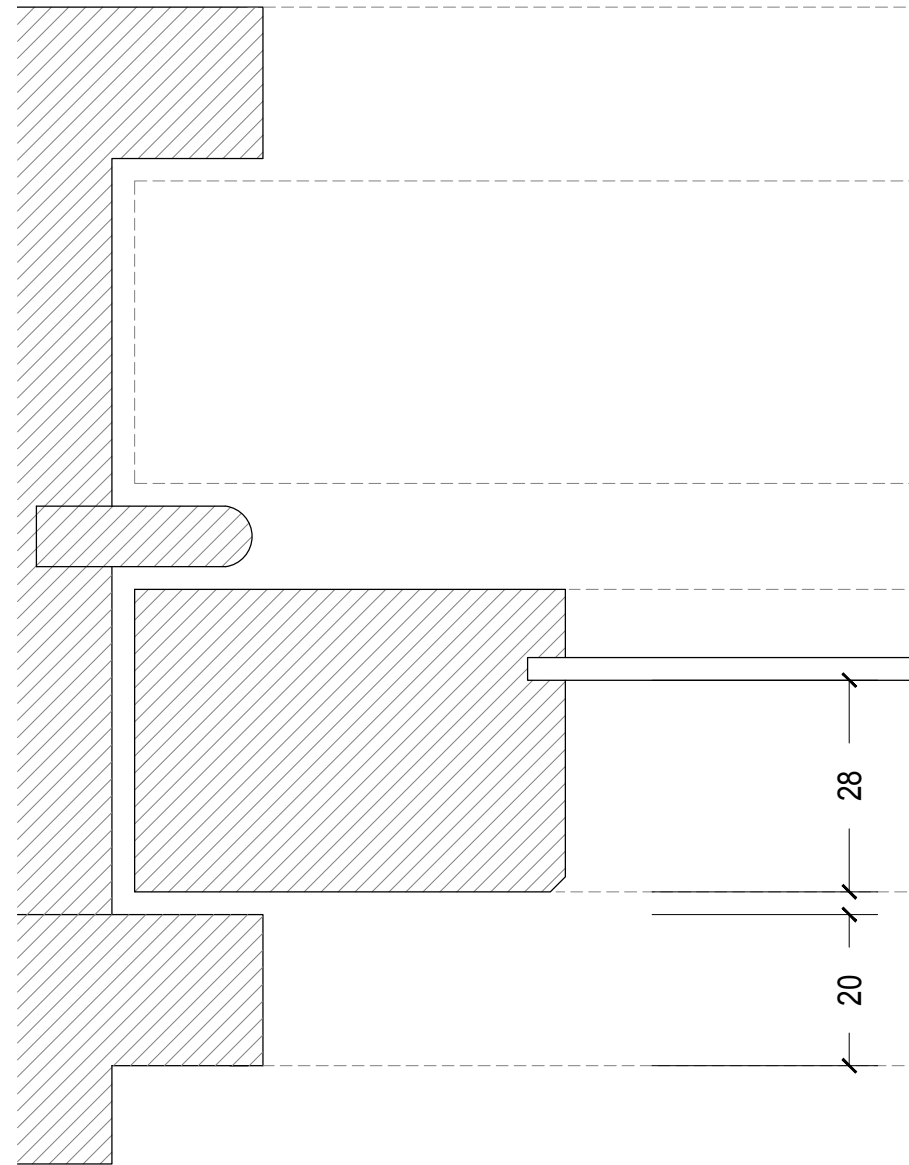
Rev.	Modification	Date	Title:
			26 Lower Belgrave Street
			W.T.01 & 02
			Status: Proposed
			Scale: 1:50 Drawing No: RAI 055.W.T.01/02
			Format: A3 Start date: 22/10/2020
			Drawn: JF Issue date: 23/10/2020
			Checked: RM Sheet:
			Contractor reference: Revision:
			Rainsford Ltd. The Annex, Hartley House, Oxford Road, Donnington Newbury, Berkshire, RG14 2JD info@rainsforddb.com www.rainsforddb.com Tel: +44(0)20 7381 1668



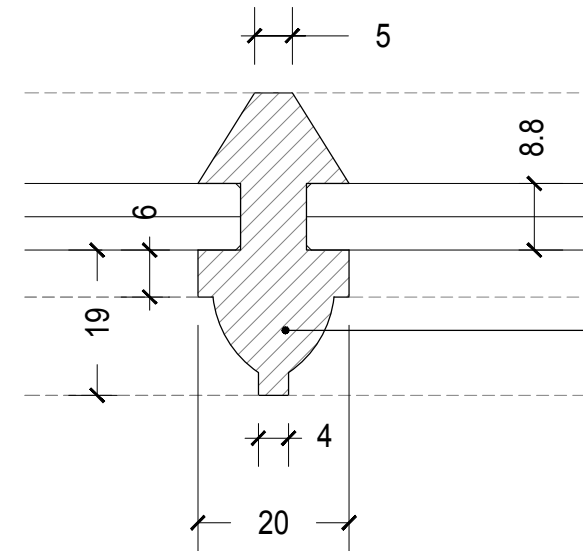
1 W.T.03 - MASTER BATHROOM EXISTING WINDOW
SCALE:1:20@A3



4 W.T.03 - MASTER BATHROOM PROPSED WINDOW
SCALE:1:20@A3



2 EXISTING MULLION DETAIL
SCALE:1:1@A3



3 PROPOSED MULLION DETAIL
SCALE:1:1@A3

NOTES:

- EXISTING WINDOW TO BE REPLACED WITH 8.8MM SINGLE GLAZED LAMINATED UNIT.
- THIS IS TO UNIFY THE FRAMES, WHICH HAVE BEEN MODIFIED SINCE ORIGINAL CONSTRUCTION.
- GLASS SPEC. 8.8MM LAMINATED PILKINGTON OPTIPHON GLASS. REFER TO SPECIFICATION FOR DETAILS.

NEW SINGLE GLAZED 8.8 LAMINATED PILKINGTON OPTIPHON GLASS

NEW SASH WINDOW FRAMES TO MATCH EXISTING PROFILE DESIGN.



EXISTING WINDOW - NEW WINDOW FRAMES TO MATCH ALL EXISTING



RAINSFORD
LONDON

This drawing incorporating the original designs and conceptions of the designer is protected by copyright and is the sole property of the designer. No part whatsoever may be copied, reproduced, modified or used in any manner without written permission © Rainsford LTD 2015

Approved by Client	Date

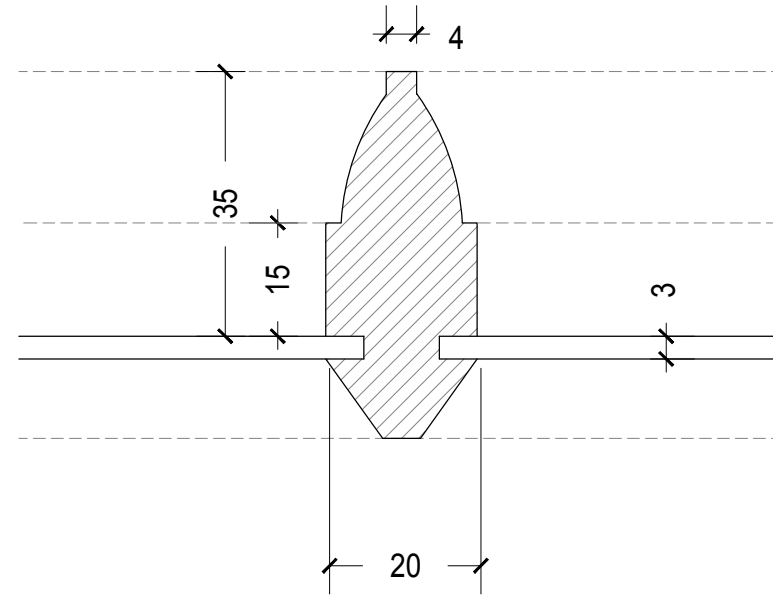
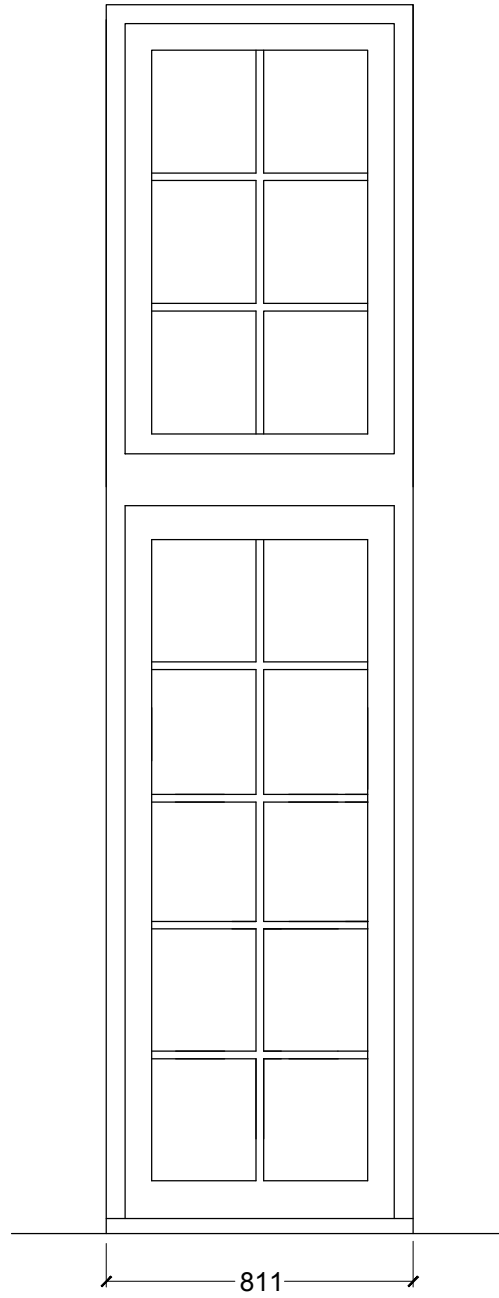
Information not to be used other than as defined by the drawing status.
All dimensions are in millimeters and levels in meters.
This drawing is to be read and not to be scaled.
This drawing is a copyright and property of Rainsford Ltd. It is not to be produced, copied, handed over to third party or used for any other purposes other than for which is intended. All dimensions shall be verified on site prior to start of work. Any discrepancy shall be brought to the notice of the architect.
The construction manager / contractor must check all dimensions and details and be responsible for the same. Any discrepancies shall be brought to the notice of the architect.
This drawing shall be read in conjunction with all relevant architectural, structural and services drawings. Any discrepancies noticed shall be brought to the attention of the architect and consultants. Any discrepancies noticed shall be brought to the attention prior to execution of work.
Drawing approval is for the conformity with outline design intent only and does not relieve the project manager / contractor / sub-contractors from the accuracy, integration and fitness for purpose of design.
Design drawings copyright Rainsford Ltd.



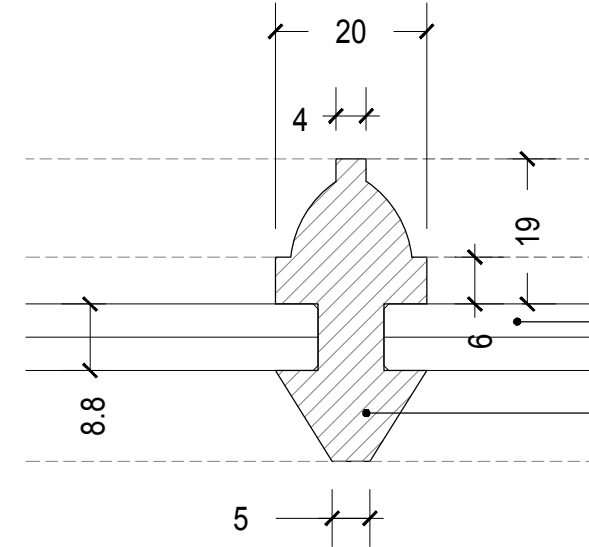
Rev.	Modification	Date	Title:
			26 Lower Belgrave Street
			W.T.03
			Status: Proposed
			Scale: 1:50 Drawing No: RAI 055.W.T.
			Format: A3 Start date: 22/10/20
			Drawn: JF Issue date: 23/10/20
			Checked: RM Sheet:
			Contractor reference: Revision:
			Rainsford Ltd. The Annex, Hartley House, Oxford Road, Donnington Newbury, Berkshire, RG14 2JD info@rainsforddb.com www.rainsforddb.com Tel: +44(0)20 7381 1668

NOTES:

- EXISTING WINDOW TO BE REPLACED WITH 8.8MM SINGLE GLAZED LAMINATED UNIT.
- THIS IS TO UNIFY THE FRAMES, WHICH HAVE BEEN MODIFIED SINCE ORIGINAL CONSTRUCTION.
- GLASS SPEC. 8.8MM LAMINATED PILKINGTON OPTIPHON GLASS. REFER TO SPECIFICATION FOR DETAILS.



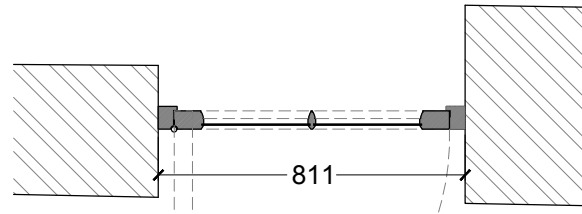
2 EXISTING MULLION DETAIL
SCALE: 1:1 @ A3



3 PROPOSED MULLION DETAIL
SCALE: 1:1 @ A3

NEW SINGLE GLAZED 8.8 LAMINATED PILKINGTON OPTIPHON GLASS

NEW SASH WINDOW FRAMES TO MATCH EXISTING PROFILE DESIGN.



1 W.T.04 - LANDING EXISTING DOOR
SCALE: 1:20 @ A3

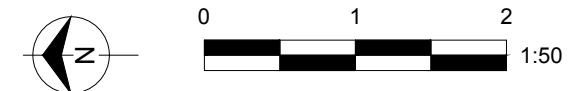


EXISTING WINDOW - NEW WINDOW FRAMES TO MATCH ALL EXISTING



RAINSFORD
LONDON

Information not to be used other than as defined by the drawing status.
All dimensions are in millimeters and levels in meters.
This drawing is to be read and not to be scaled.
This drawing is a copyright and property of Rainsford Ltd. It is not to be produced, copied, handed over to third party or used for any other purposes other than for which it is intended, all dimensions shall be verified on site prior to start of work. Any discrepancy shall be brought to the notice of the architect.
The construction manager / contractor must check all dimensions and details and be responsible for the same. Any discrepancies shall be brought to the notice of the architect. This drawing shall be read in conjunction with all relevant architectural, structural and services drawings. Any discrepancies noticed shall be brought to the attention of the architect and consultants. Any discrepancies noticed shall be brought to the attention prior to execution of works.
Drawing approval is for the conformity with outline design intent only and does not relieve the project managers / contractors / sub-contractors from the accuracy, integration and fitness for purpose of design.
Design drawings copyright Rainsford Ltd.



Rev.	Modification	Date	Title:
			26 Lower Belgrave Street
			W.T.04
			Status: Proposed
			Scale: 1:50 Drawing No: RAI 055.W.T.04
			Format: A3 Start date: 22/10/2020
			Drawn: JF Issue date: 23/10/2020
			Checked: RM Sheet:
			Contractor reference: Revision:
			Rainsford Ltd. The Annex, Hartley House, Oxford Road, Donnington Newbury, Berkshire, RG14 2JD info@rainsforddb.com www.rainsforddb.com Tel: +44(0)20 7381 1668

This drawing incorporating the original designs and conceptions of the designer is protected by copyright and is the sole property of the designer. No part whatsoever may be copied, reproduced, modified or used in any manner without written permission © Rainsford LTD 2015