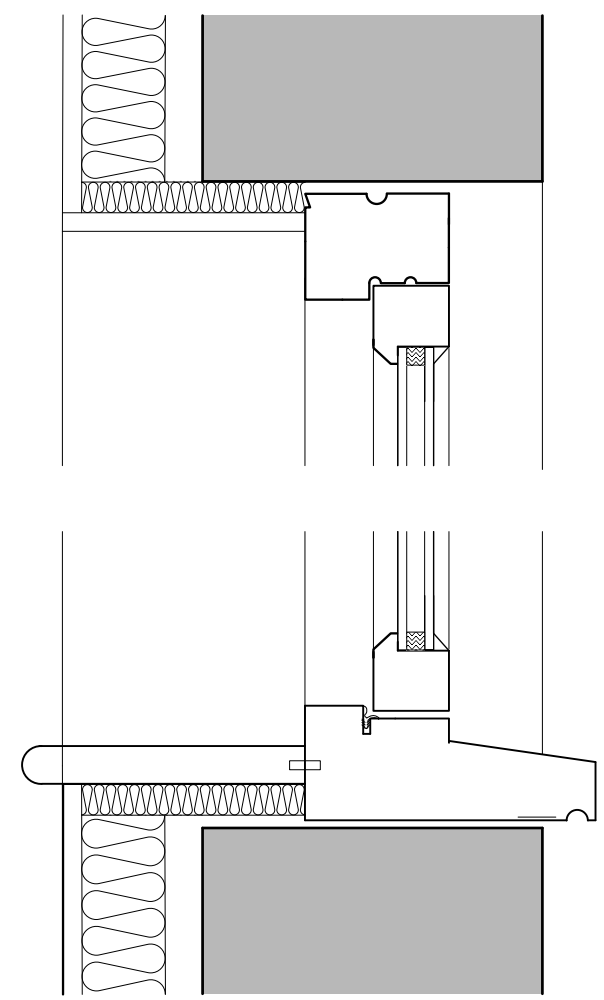
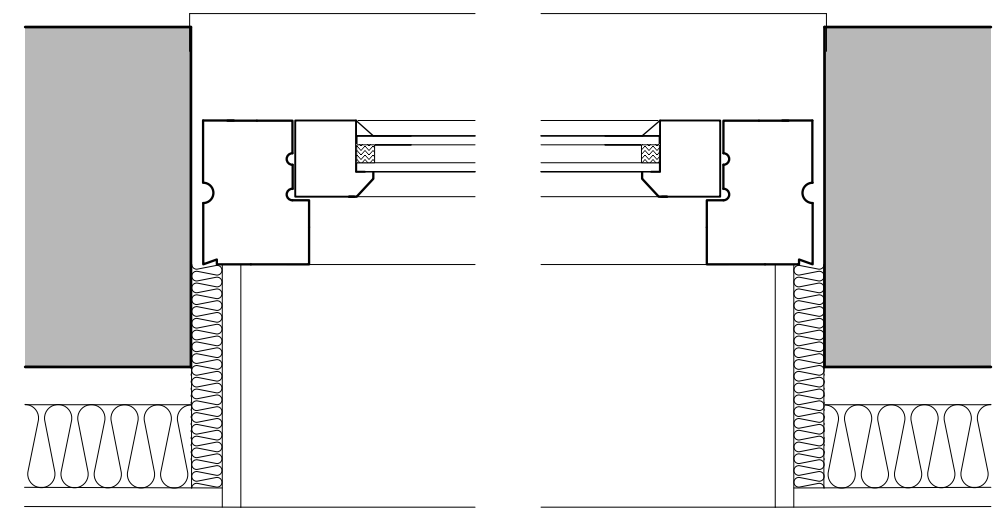


1:20 elevation
Windows to building 2



Detail B 1:5 scale



Detail A 1:5 scale

