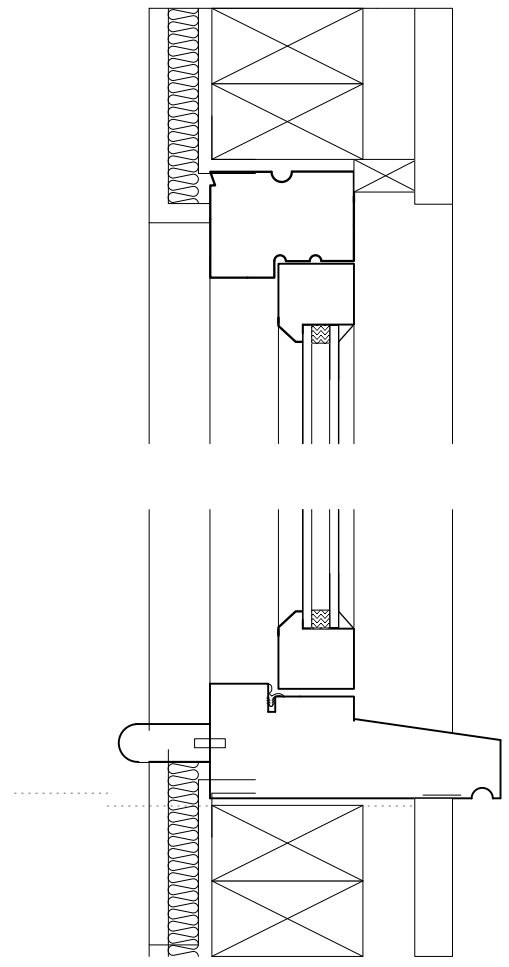
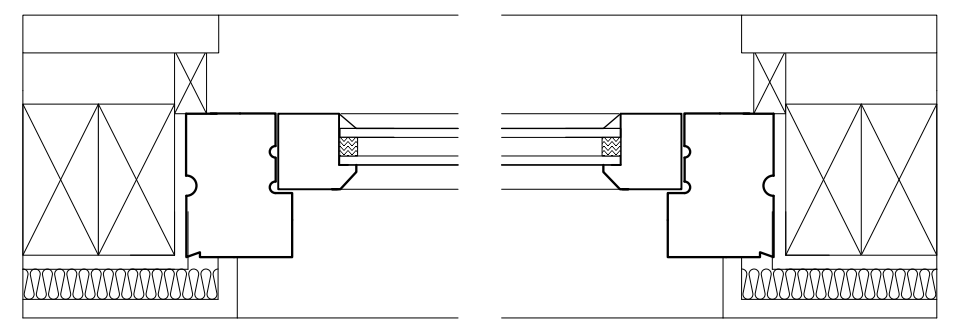


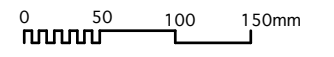
1:20 elevation
Windows to building 3



Detail B 1:5 scale



Detail A 1:5 scale



Purple architects 31 Couching Street Watlington Oxford OX49 5QF t 01491 613020 f 01491 614733 studio@purplearchitects.com	Revisions	Valley Farm, Upper Pollicott	Job No WAY	Status P	Dwg 1.73	Revision
		Joinery details: Building 3 - windows	Scale 1:20 / 1:5 @ A3	Issued for Planning	Date January 2016	Revised

© Purple Architects Ltd. Do not scale off drawing. Check all dimensions on site and advise any discrepancies before commencing work. All figured dimensions are millimetres unless otherwise stated.