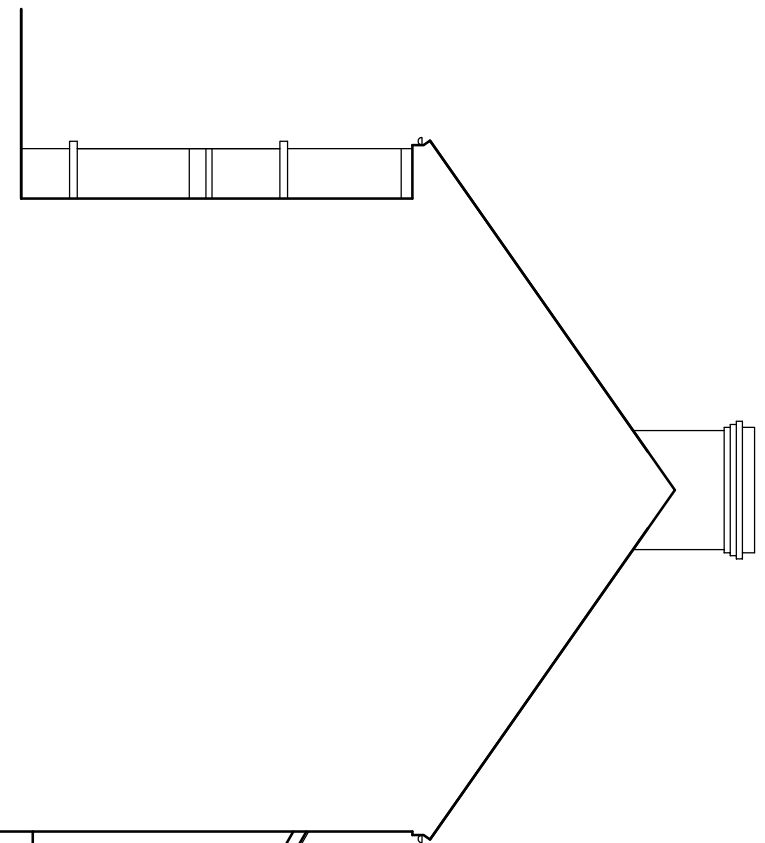
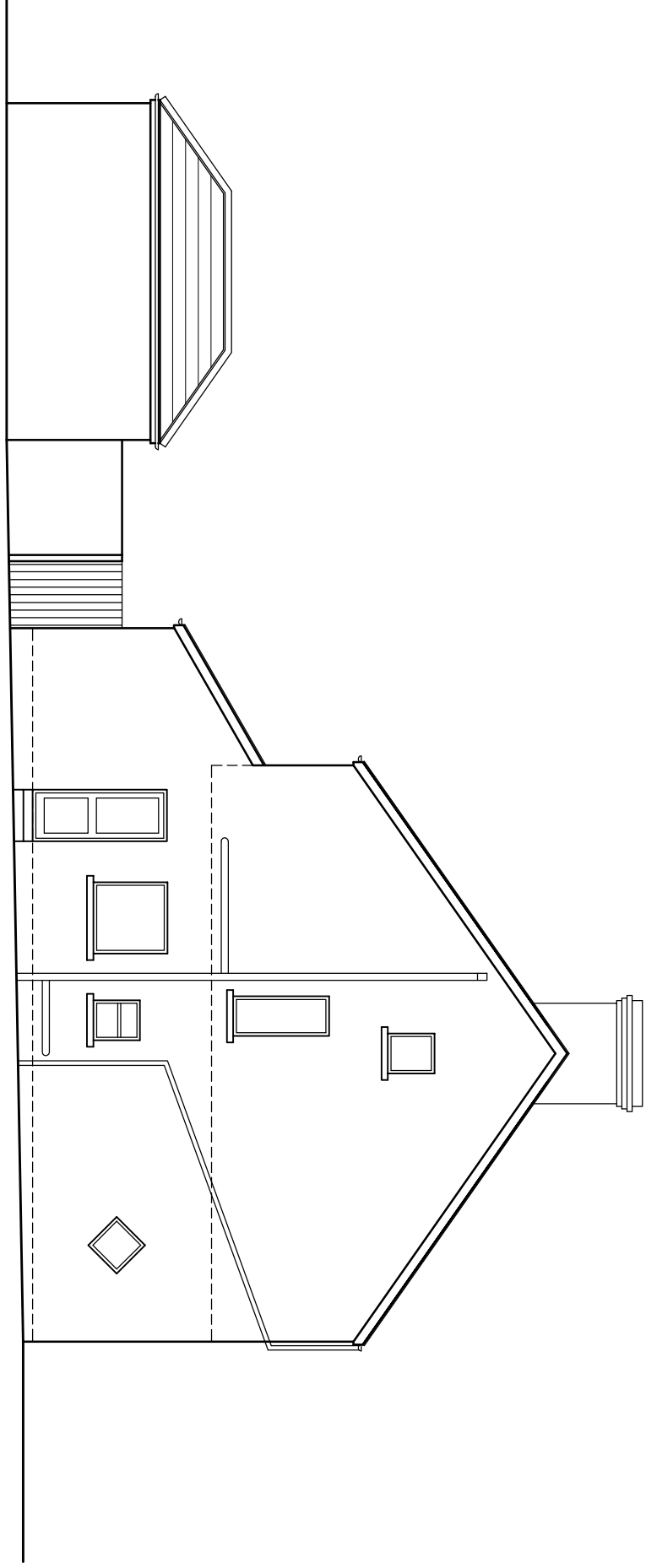


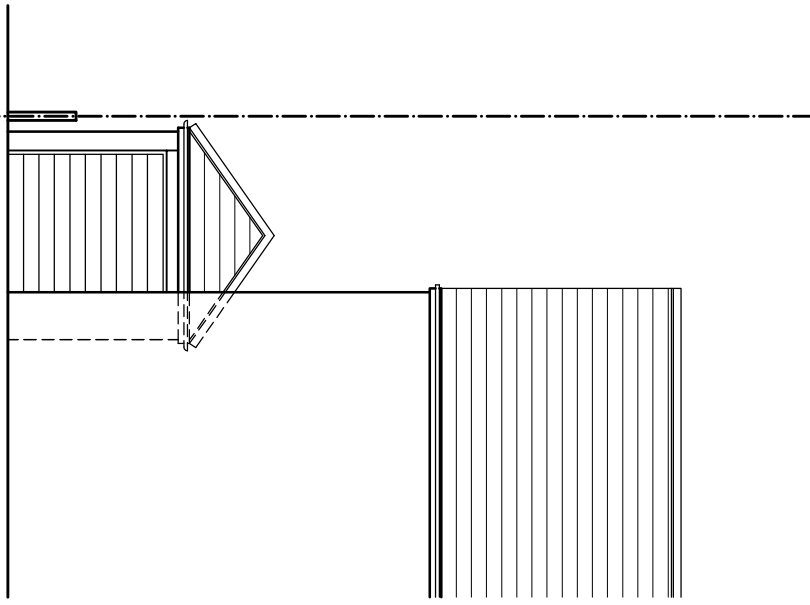
REAR ELEVATION



SIDE ELEVATION FACING 62



SIDE ELEVATION FACING 66



FRONT ELEVATION

Rev:

Rev:

Rev:

Rev:

This drawing must not be scaled.
 Figured dimensions and levels to be used.
 Any inaccuracies must be notified to the
 designer.
 Detail drawings and large scale drawings
 take precedence over smaller drawings.

THIS DRAWING IS COPYRIGHT ©

PRELIMINARY	
PLANNING	✓
DESIGN	
TENDER	
CONSTRUCTION	

Project:	1 POWYS ROAD, PEMARTH, CF64 3PB TEL. 029 2070 3944	Scale:	1-100 @ A3
Client:	LEGUILCHER ARCHITECTURE	Date:	JAN 21
Project Name:	PROPOSED ALTERATIONS AT 64 ST ANGELA ROAD, HEATH, CARDIFF.	Drawn:	ClG
Title:	EXISTING ELEVATIONS	Checked:	
Drawing No.:	1908 / PL03	Rev.:	