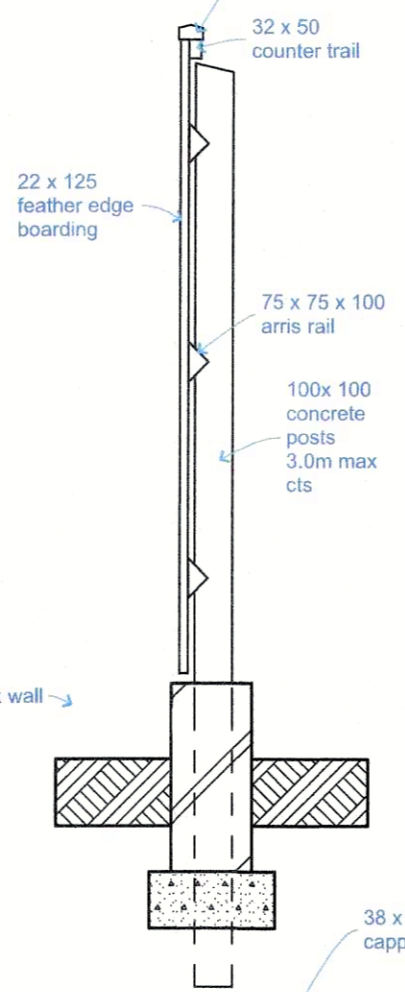
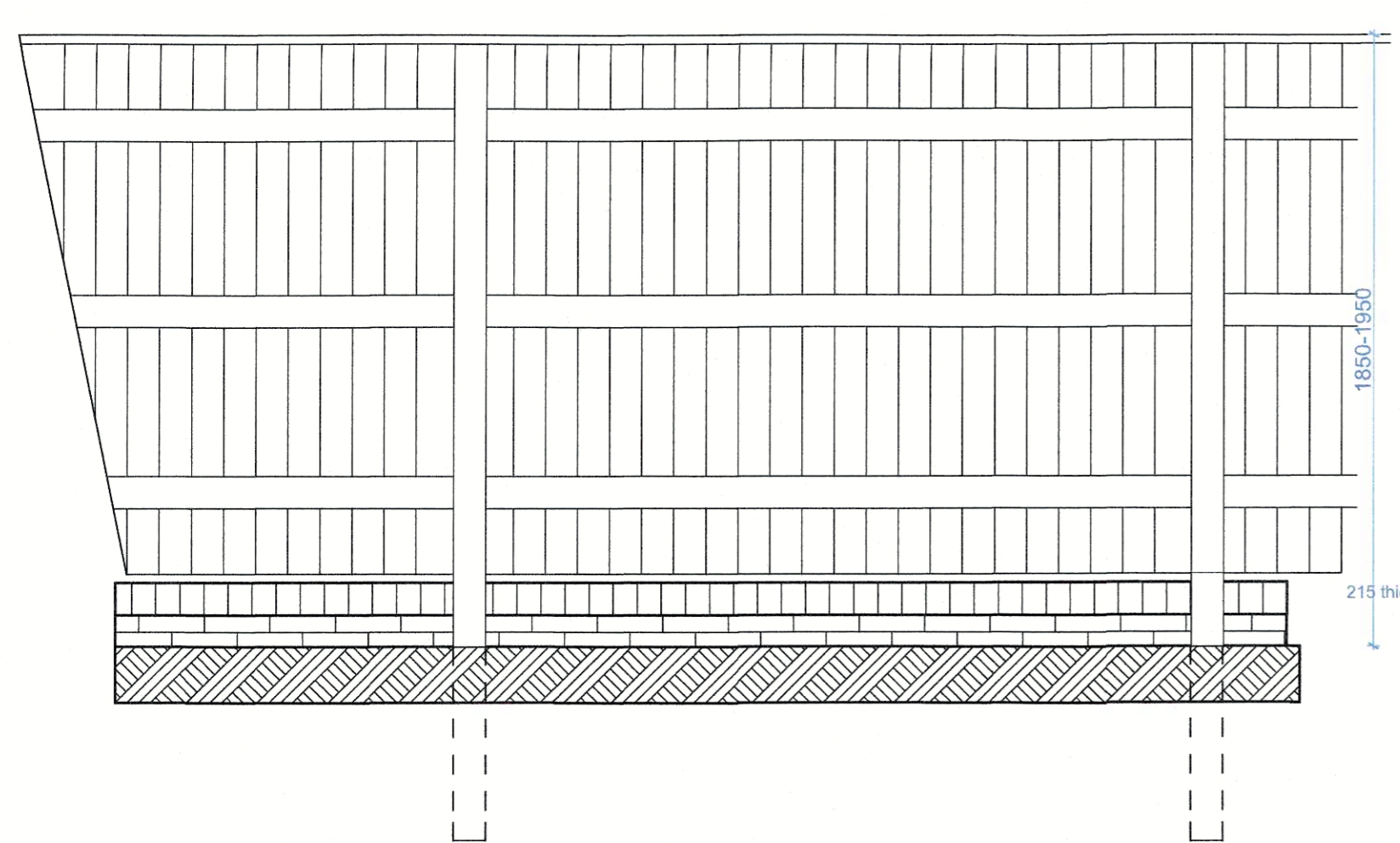
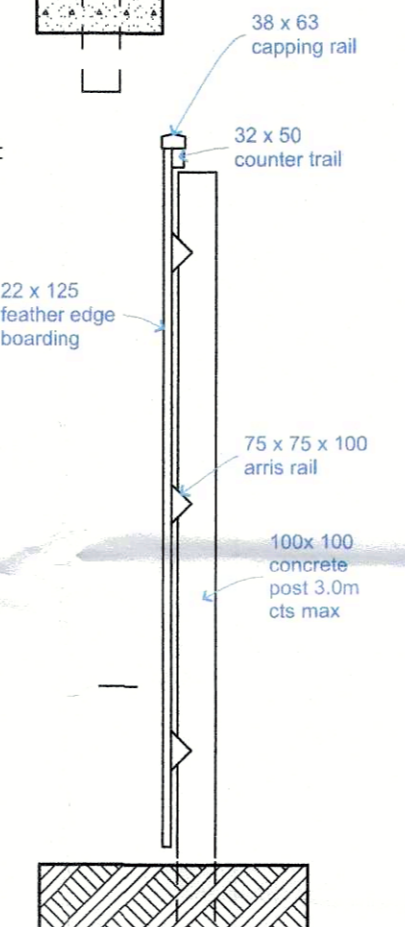
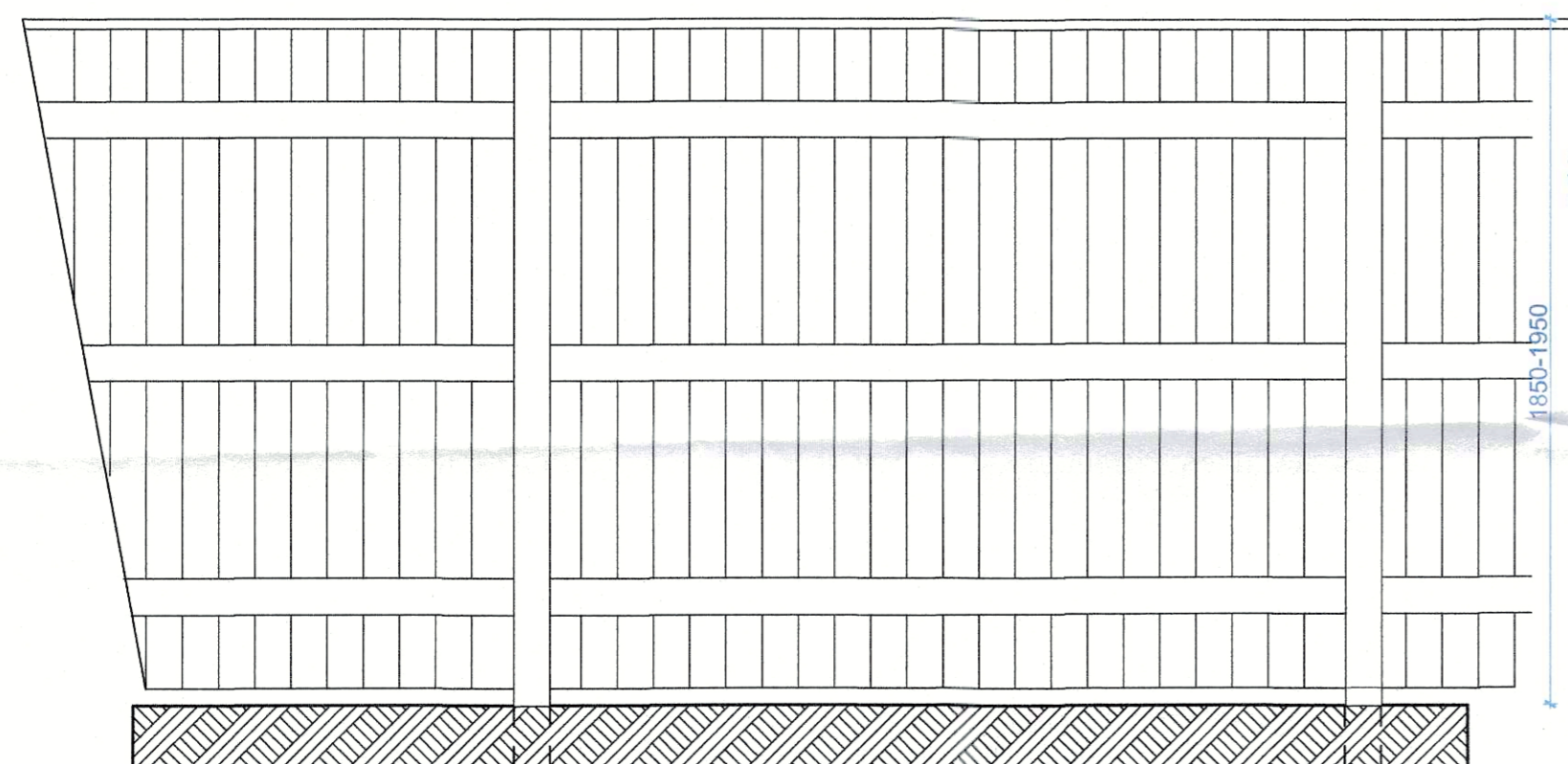


Scale at 1:5 - 250mm, 1:10 - 500mm,
 1:20 - 1.0m, 1:50 - 2.5m, 1:100 - 5.0m,
 1:200 - 10m, 1:500 - 25m

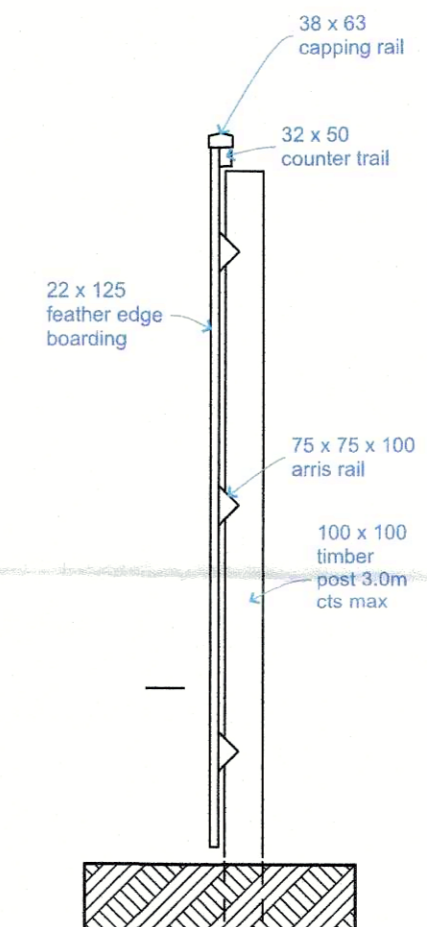
Dimensions of wall thicknesses are
 finished dimensions



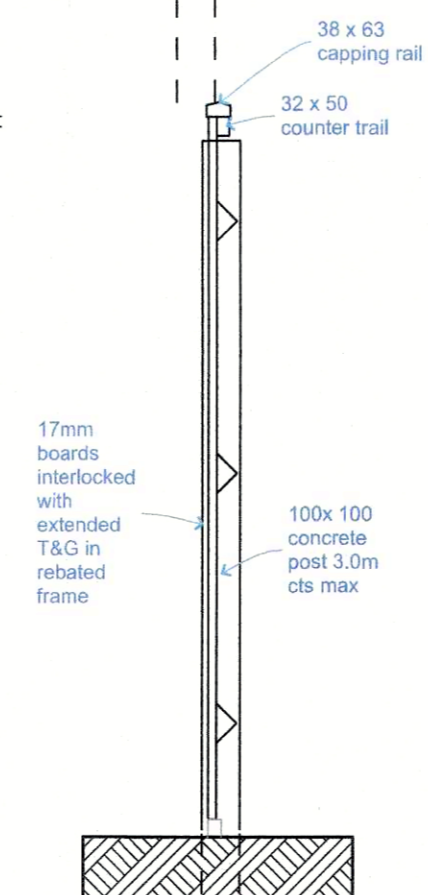
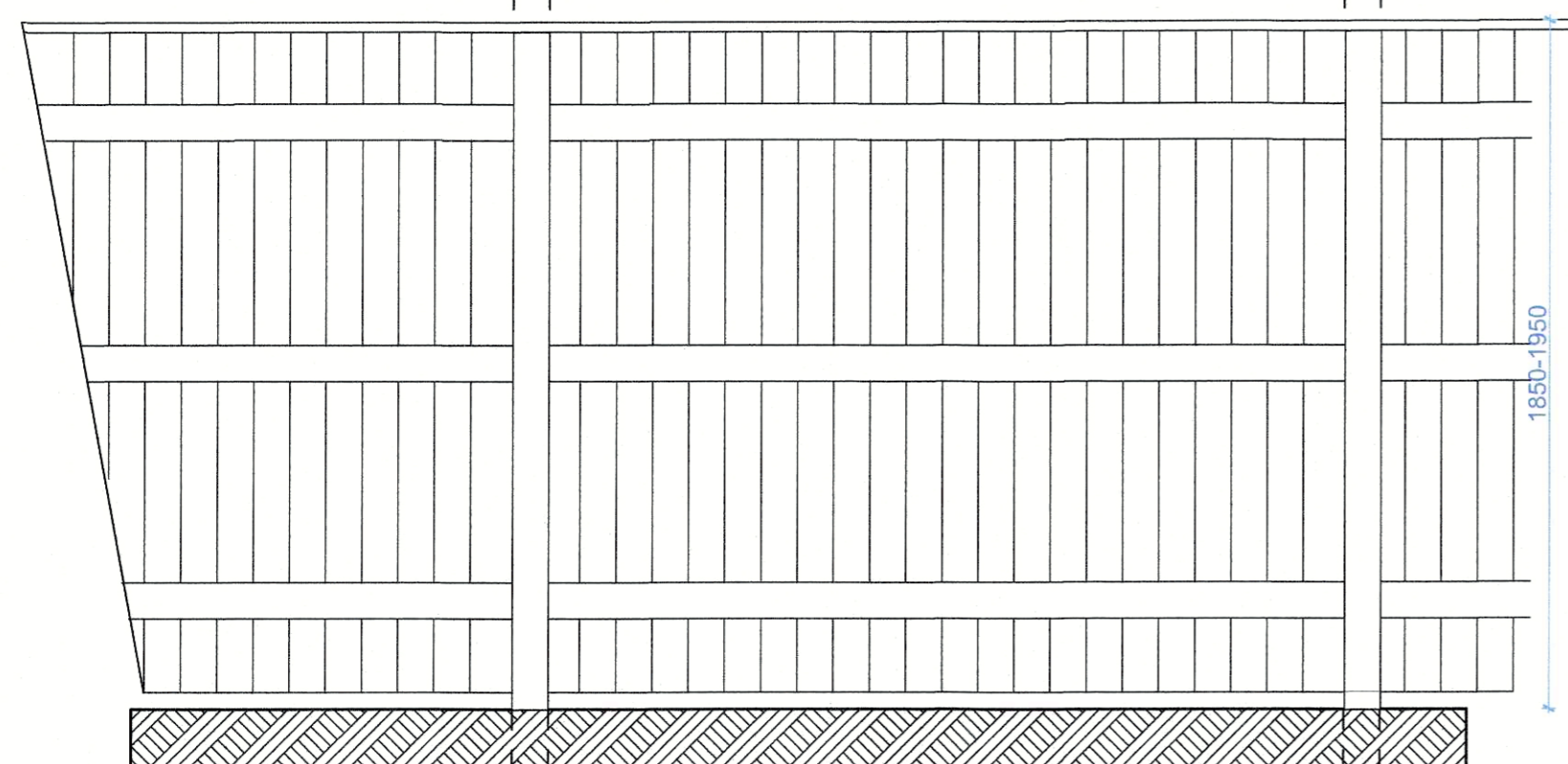
FENCE TYPE 23C



FENCE TYPE 25C



FENCE TYPE 25T



FENCE TYPE 30C (Acoustic)

RECEIVED
 07 DEC 2020

Rev	Date	Chk
PETER HUNT ARCHITECTS Hunters Moon, Gorse Green Lane Beibroughton Worcs DY9 9UH Tel: 09454 300 200 Email: projects17@peterhunt.uk.net		
Client		
client name		
Job Title		
Proposed New Housing		
Robin Hood PH High St Elkesley DN22 8AJ		
Drawing Name		
Fence Details		
Drawing Status		
Approvals		
CAD File Ref 20-876 Robin Hood B01.pln		
<small>This drawing is Copyright and is the property of Peter Hunt Architects. It has been produced for this specific project and client as indicated and is not intended for use by any other person or for any other purpose. During construction, work to figured dimensions only - do not scale. If in doubt ask - Only the original drg should be relied on.</small>		Drawn by Date
		Check'd by Date
Drawing Scale		Drwg Size
1:20		A2
Project No	Drawing No - Revision	
20-876	375	