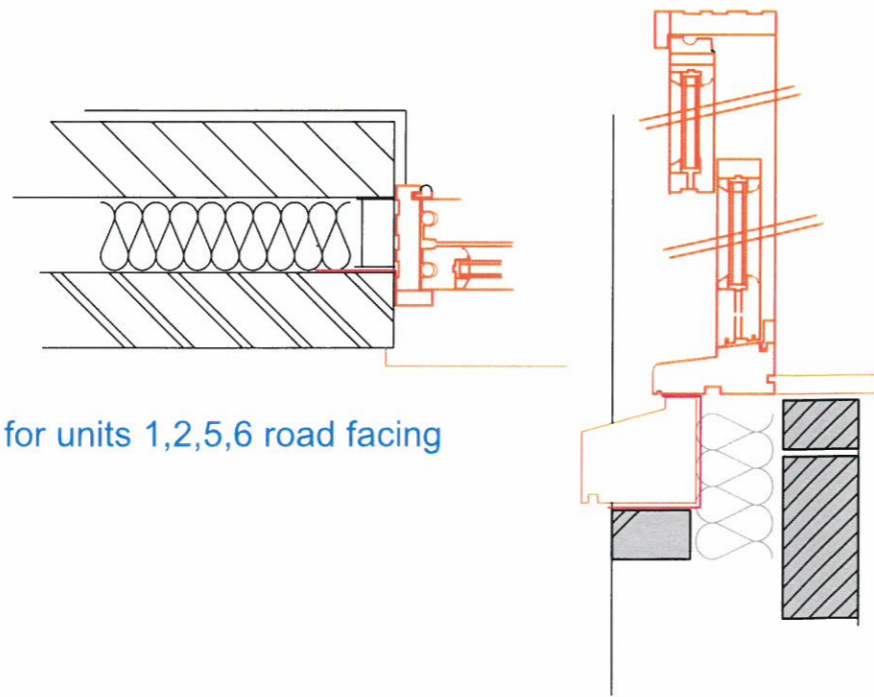
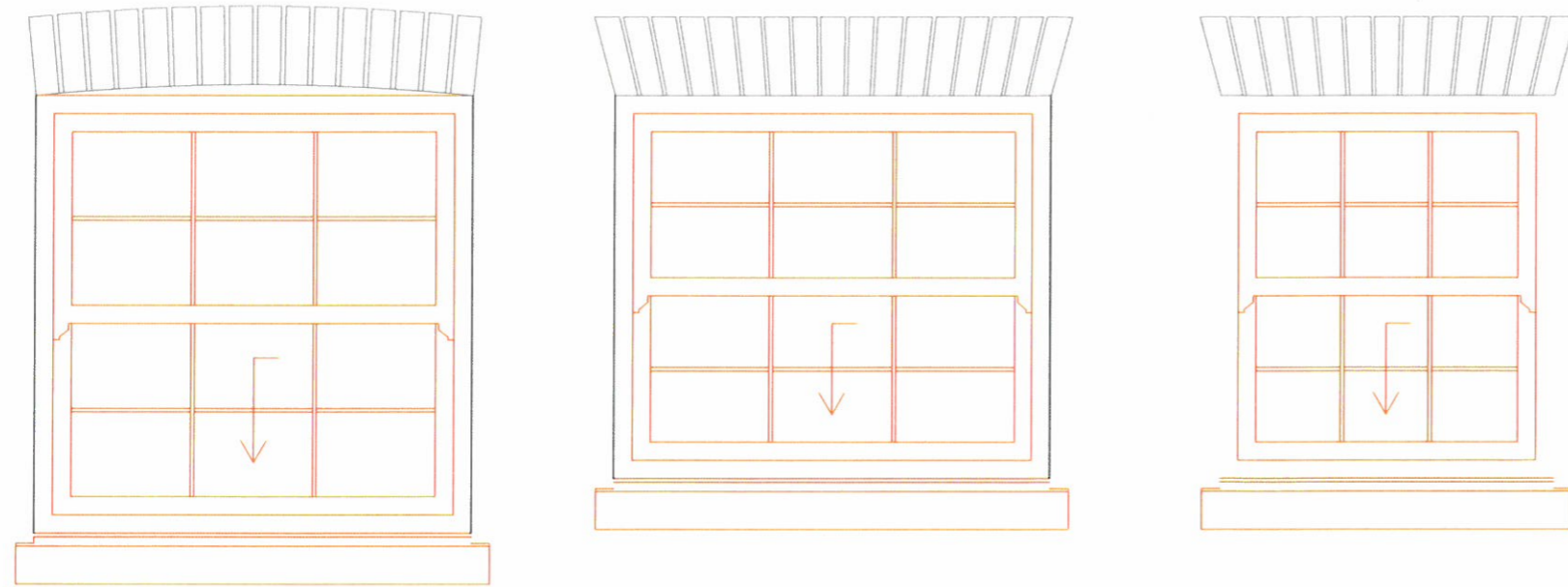


Scale at 1:5 - 250mm, 1:10 - 500mm,
1:20 - 1.0m, 1:50 - 2.5m, 1:100 - 5.0m,
1:200 - 10m, 1:500 - 25m

Dimensions of wall thicknesses are finished dimensions



Window section for units 1,2,5,6 road facing

Rev	Date	Chk
-----	------	-----

PETER HUNT
ARCHITECTS
Hunters Moon, Gorse Green Lane
Belbroughton Worcs DY9 9UH
Tel: 08454 300 200
Email: projects17@peterhunt.uk.net

Client
client name

Job Title
Proposed New Housing
-
Robbin Hood PH
High St
Elkesley
DN22 8AJ

RECEIVED

07 DEC 2020

Drawing Name
Window Details

Drawing Status
Approvals

CAD File Ref 20-876 Robin Hood B01.pln

This drawing is Copyright and is the property of Peter Hunt Architects. It has been produced for this specific project and client as indicated and is not intended for use by any other person or for any other purpose. During construction, work to figured dimensions only - do not scale, If in doubt ask. Only the original drg should be relied on.

Drawn by
Date

Check'd by
Date

Drawing Scale
1:20, 1:10

Drwg Size
A3

Project No
20-876

Drawing No - Revision
373