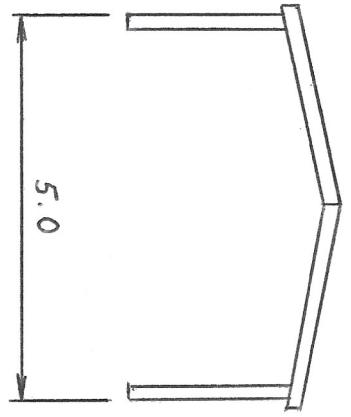
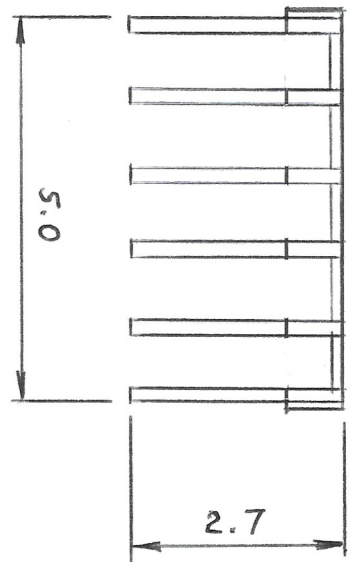


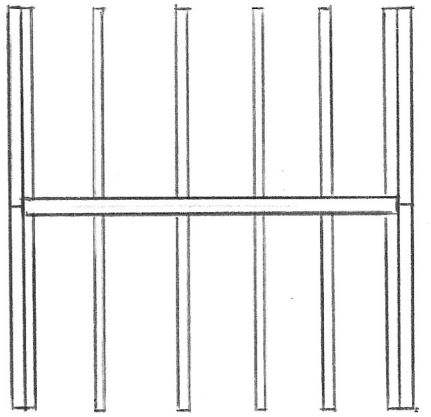
FRONT / REAR



LEFT / RIGHT SIDE



ROOF PLAN



SCALE 1:100 @ A4



DIMENSIONS IN METRES

SESL 001-02-21

SHEET 6 04-FEB-2021

PROPOSED PERGOLA

(EXISTING PERGOLA MADE SMALLER AND RELOCATED, AS INDICATED ON SHEETS 2 & 3)

EXTERNAL FINISH : NATURAL TIMBER POSTS & RAFTERS