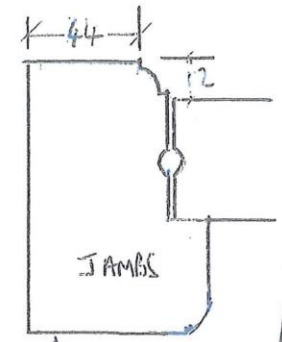


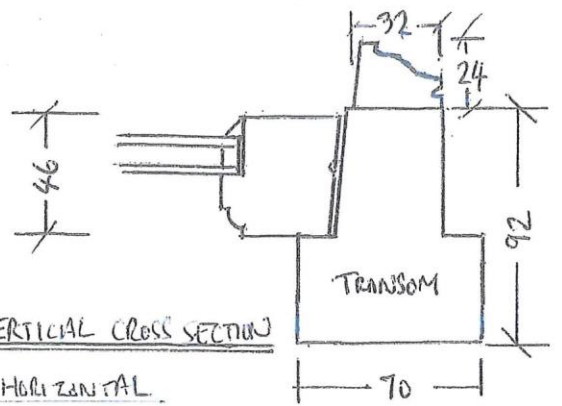
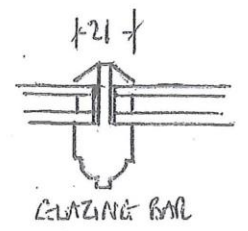
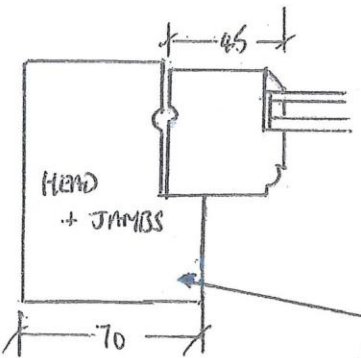
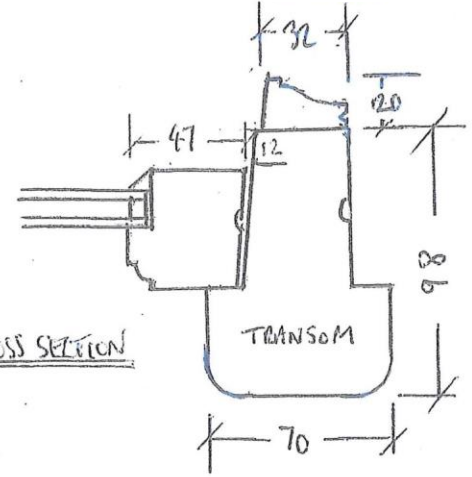
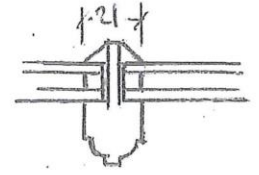
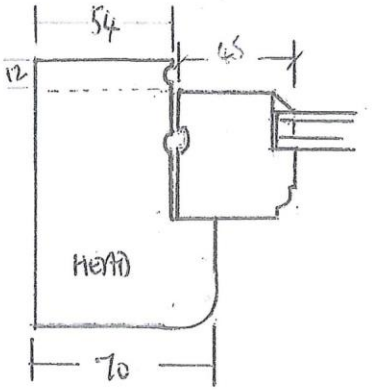
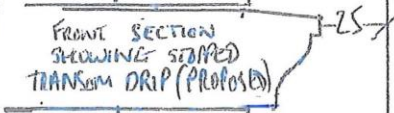
**TRADITIONAL WINDOW  
& CONSERVATORY  
COMPANY**  
ESTABLISHED 1875  
Manufacturers of the  
*Finest Traditional Timber Windows, Doors  
and Conservatories*



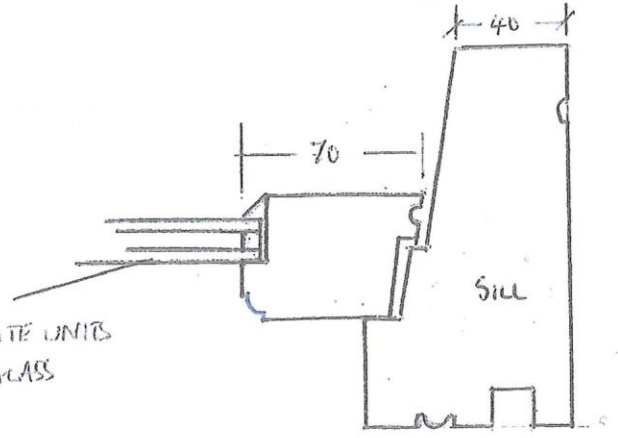
**Laura Mackiewicz,  
115 Fowlers Walk,  
Basing  
WS1BQ**



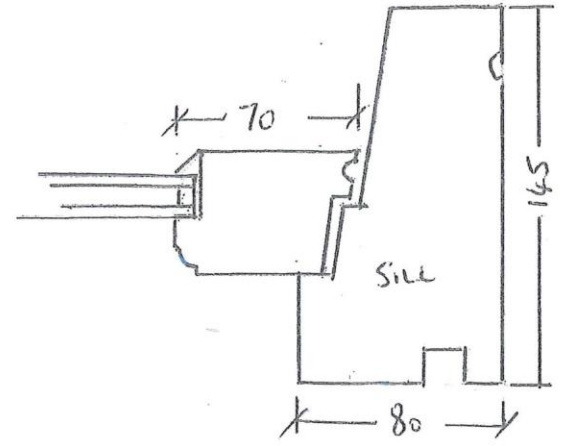
↑ Proposed  
HORIZONTAL CROSS SECTION



THIS PART IS VERTICAL + HORIZONTAL



KEMM SLIMLINE UNITS  
EASICLEAN GLASS



**Window Assembly Generally**

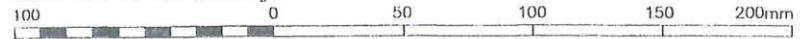
Double Glazed & preservative treated Selected Softwood/ European Redwood window assemblies with hardwood sills to the patterns shown in the drawings. Painted white, glazed using 14mm (1/2") 1279 Compliant sealed double glazing units (4:6:4) incorporating Low E Glass & Xenon or Krypton fill & including proprietary weather/brought seals to all opening elements. A U-value of 1.6 or better is to be achieved.

The defined joinery details/window sections reflect the use of 14mm (1/2") Slim Sealed Double Glazing Units, poly foam & incorporating a 3mm depth White warm edge spacer system such as the Super Spacer (SE) supplied by Lojtech (UK) Ltd.

Note 1: mouldings/profiles & general pattern of the various sections to match/reflect those to the existing/original window assemblies to the house, as applicable, save that the thickness of the window sections increase by 5mm to suit the use of Slim Double Glazing Units.

Note 2: hinges to top & side lining opening lights/elements to be white colour coated or painted, fixed in the same manner as those to the existing/original window & with the depth of the hinges sunk into the frame frames in the same manner & position as the existing.

Scale Bar re 1:2 Drawings



Note: Drawing Scales to Suit A3 Size Drawing