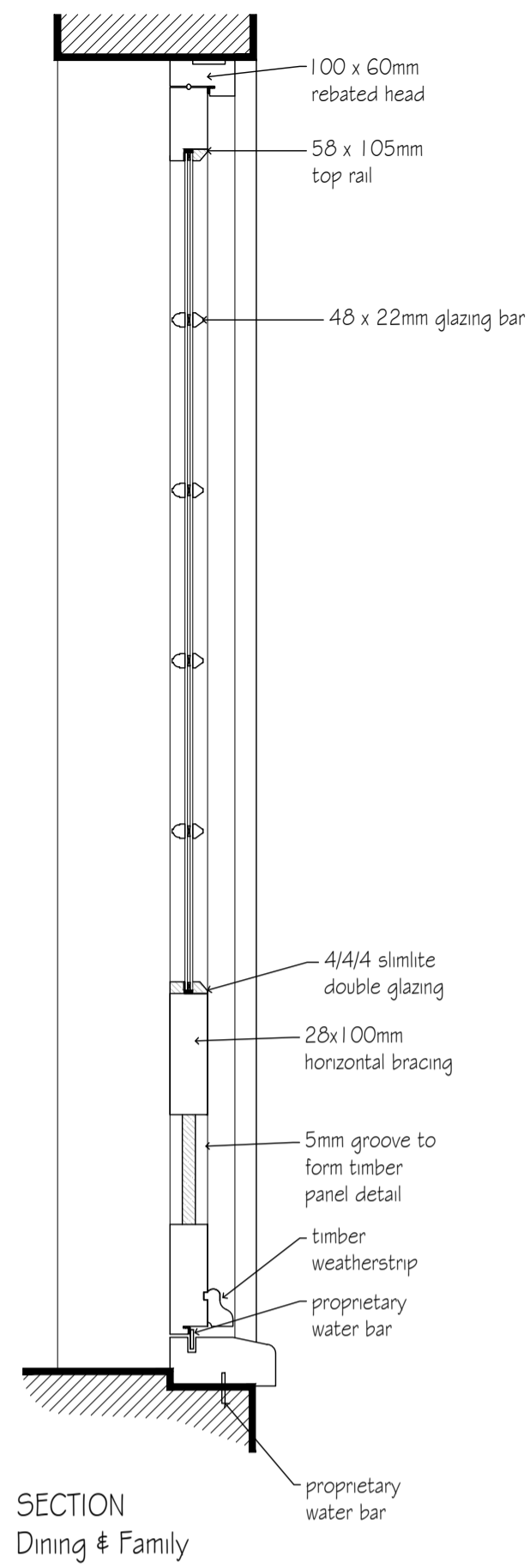
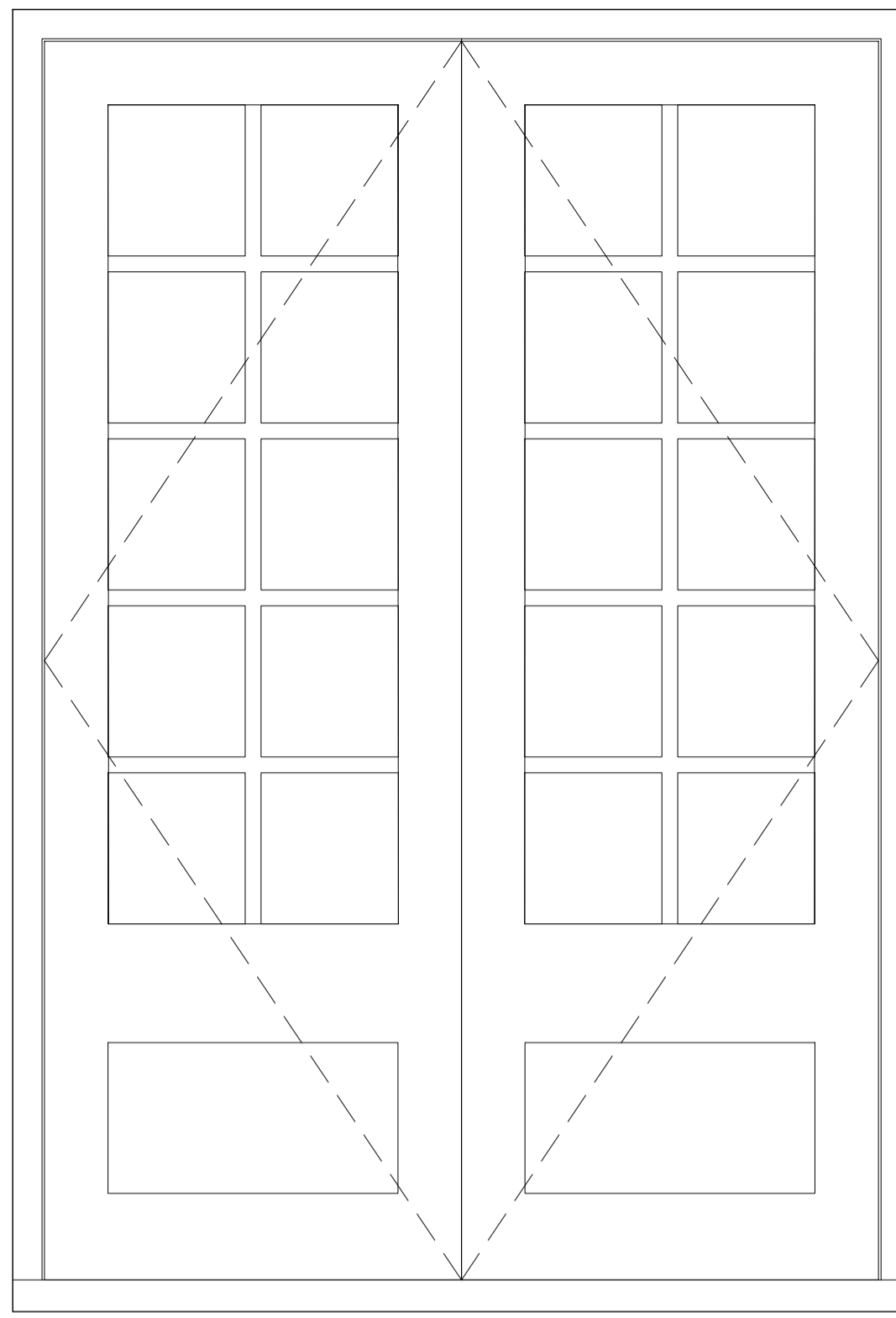


SECTION  
Front Door, Entrance Hall

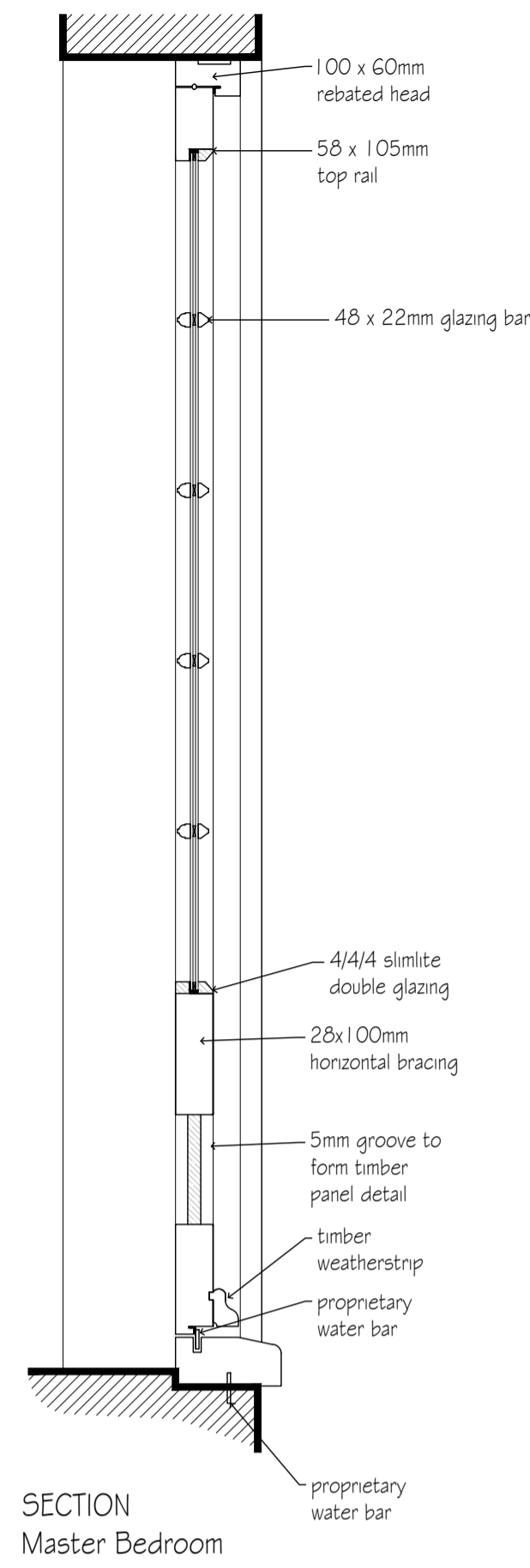
EXTERNAL ELEVATION  
Front Door, Entrance Hall



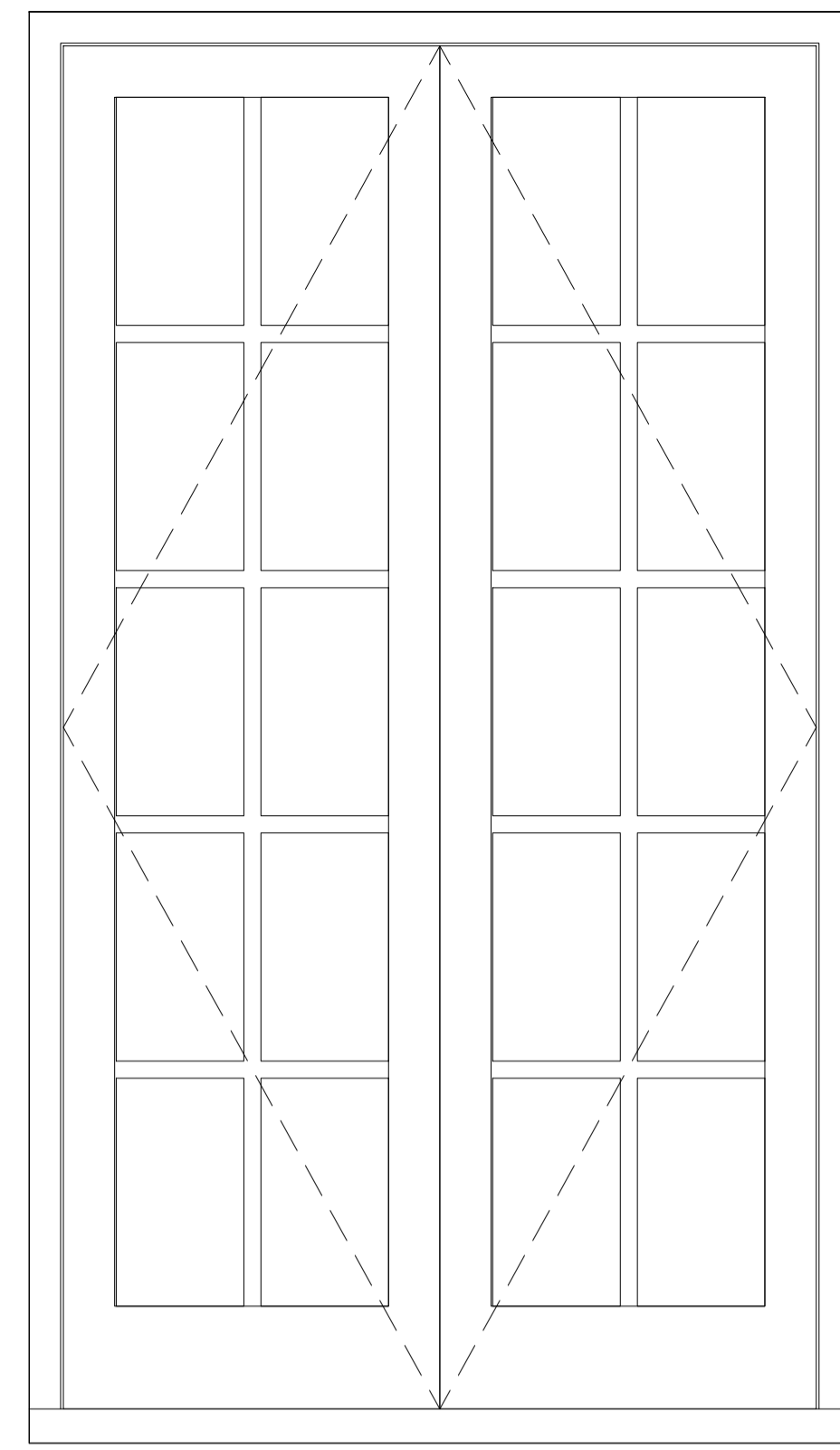
SECTION  
Dining & Family



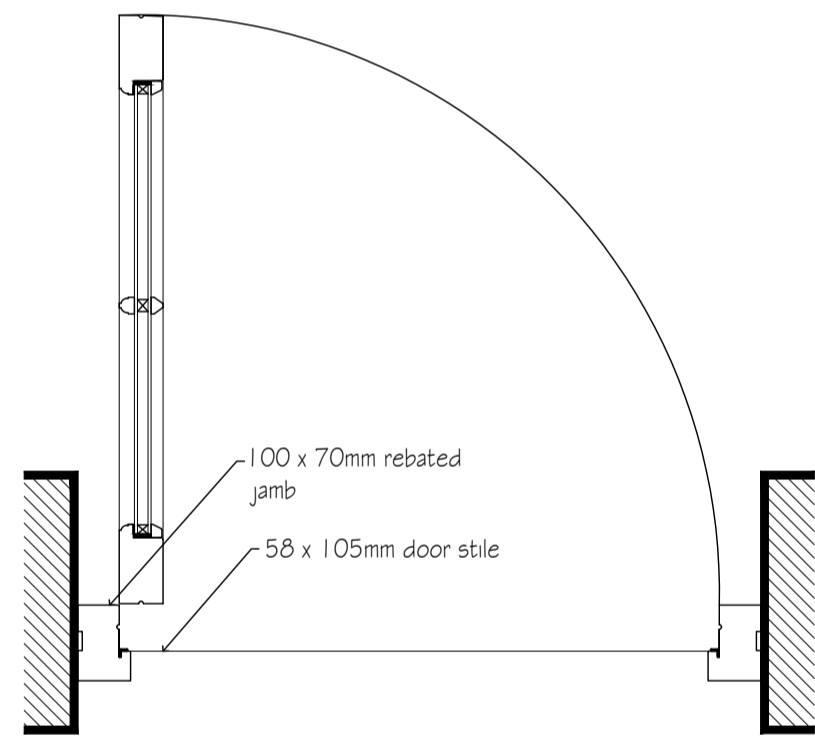
EXTERNAL ELEVATION  
Dining & Family



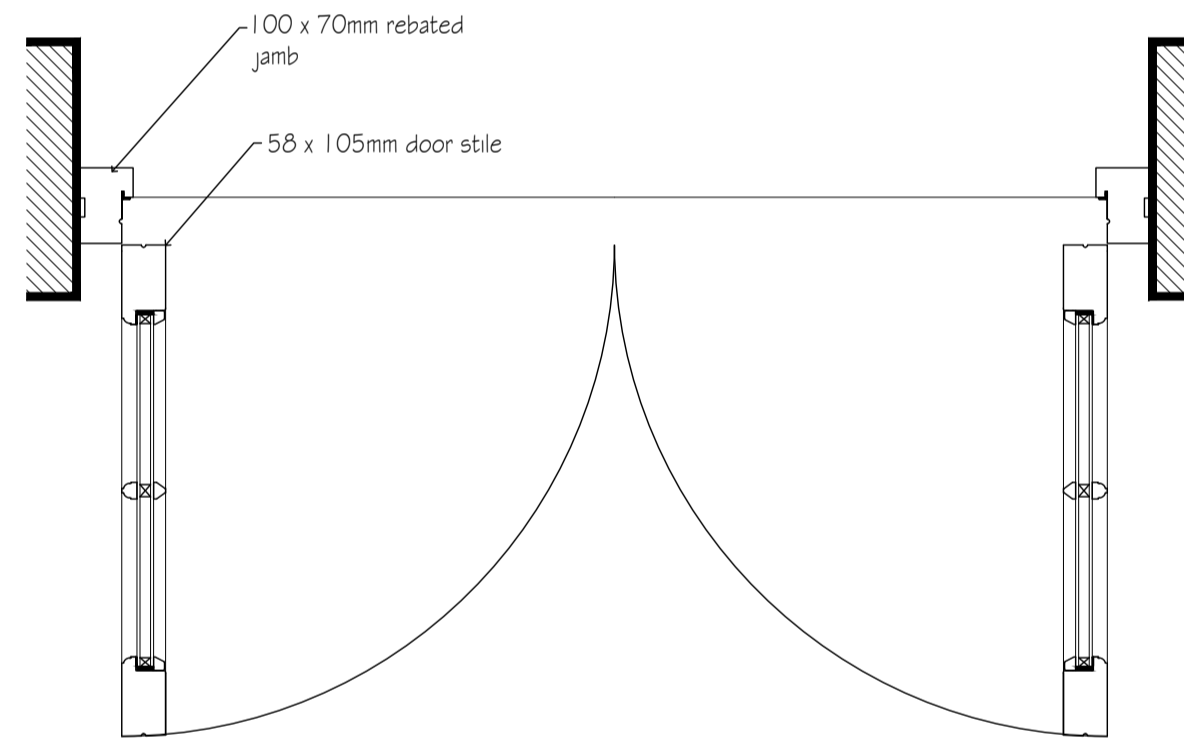
SECTION  
Master Bedroom



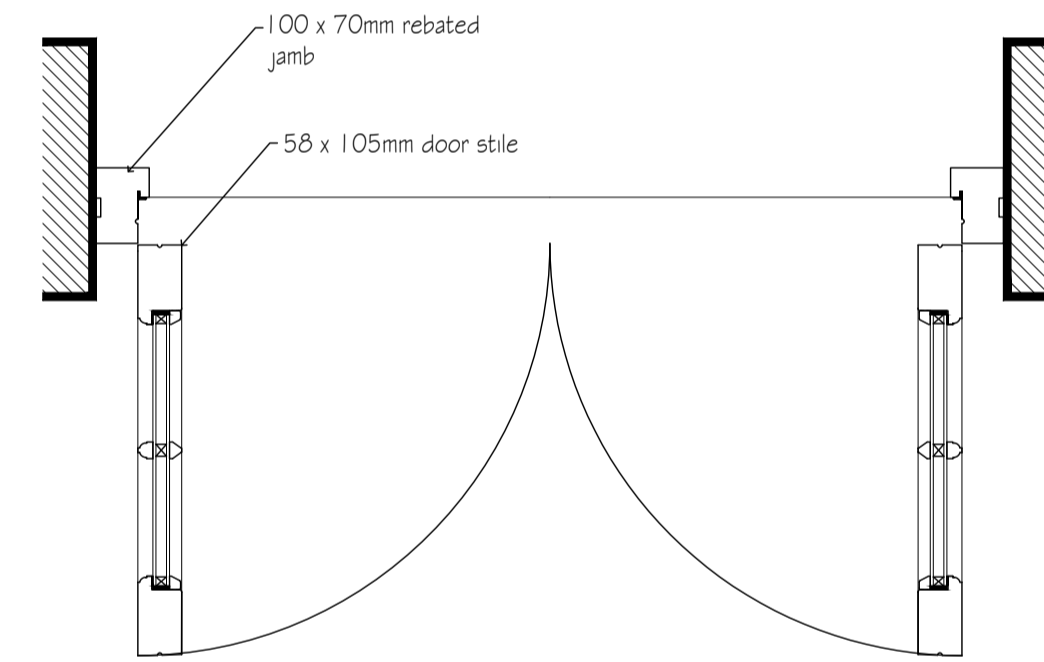
EXTERNAL ELEVATION  
Master Bedroom



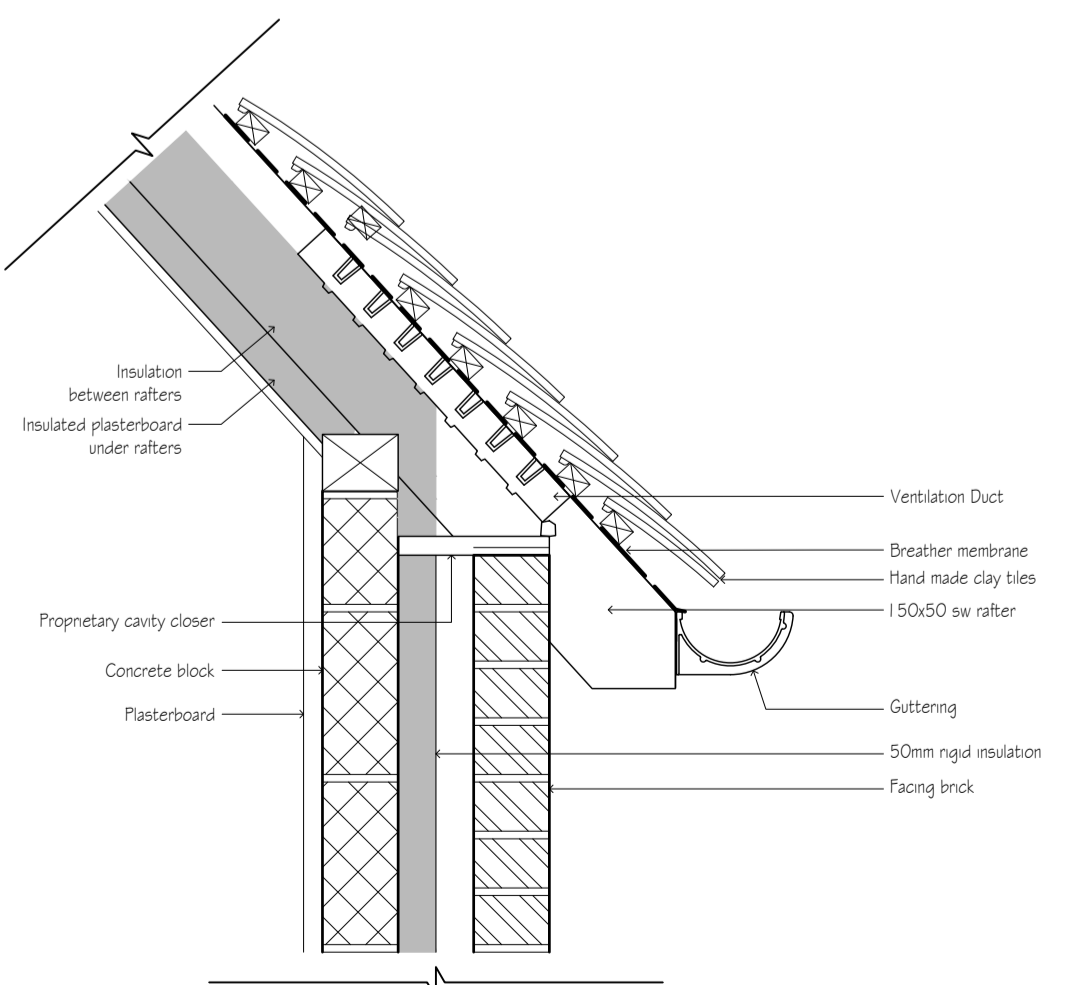
PLAN  
Front Door, Entrance Hall



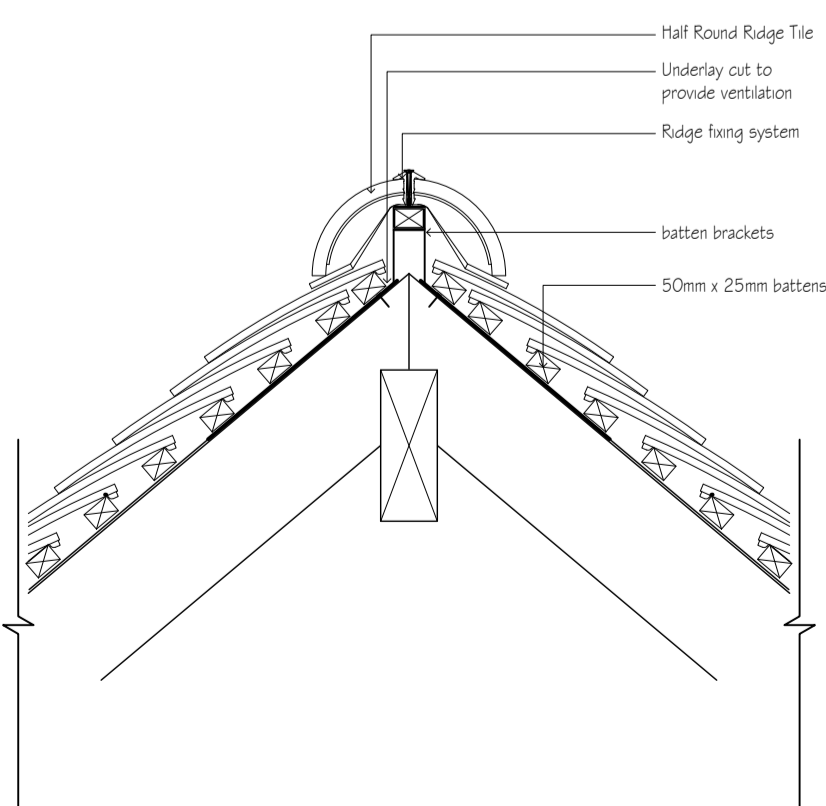
PLAN  
Front Door, Entrance Hall



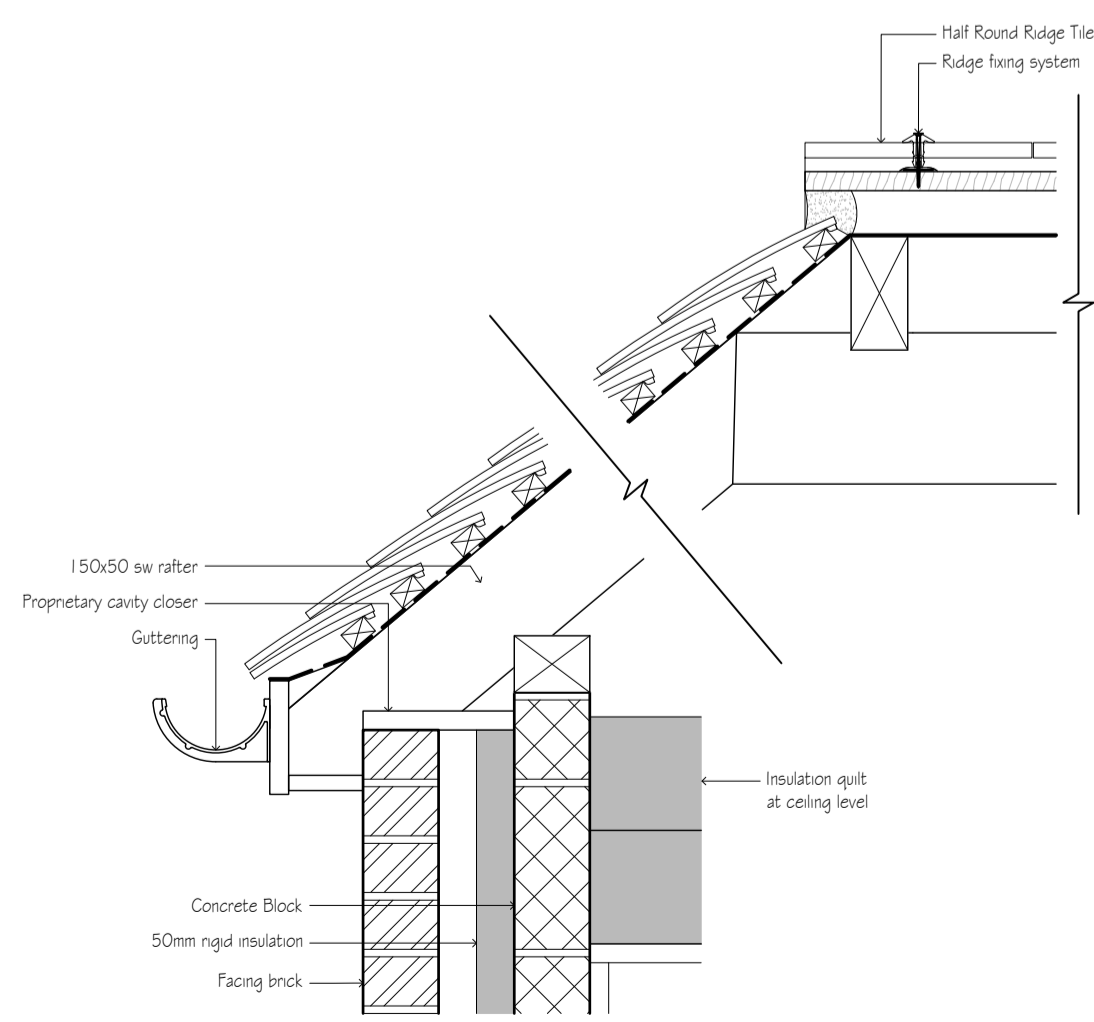
PLAN  
Master Bedroom



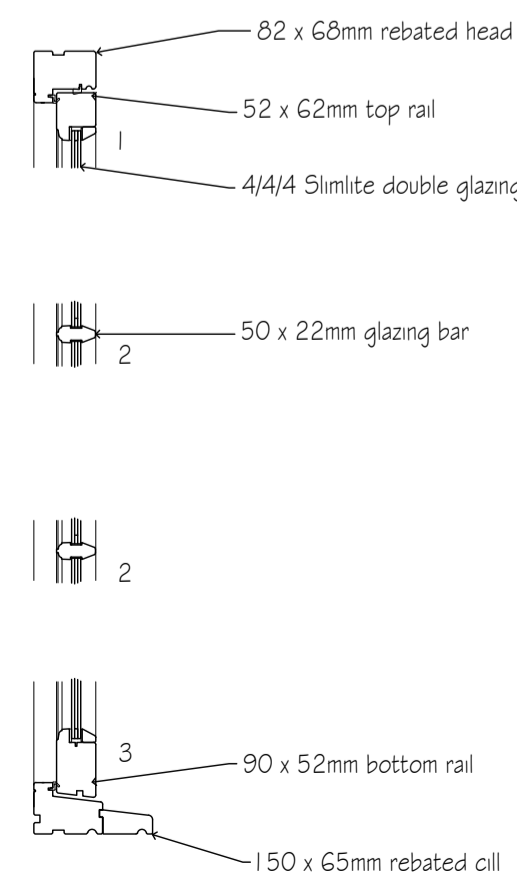
EAVES DETAIL



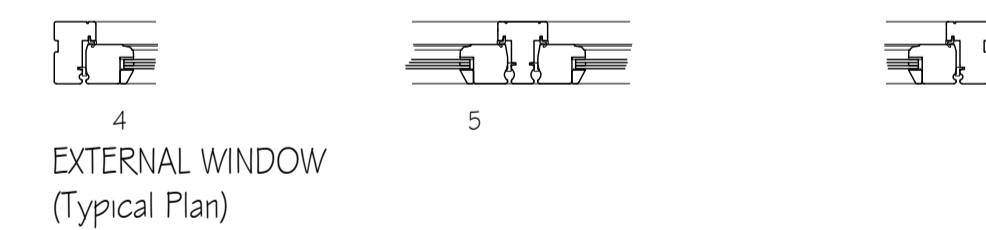
RIDGE DETAIL



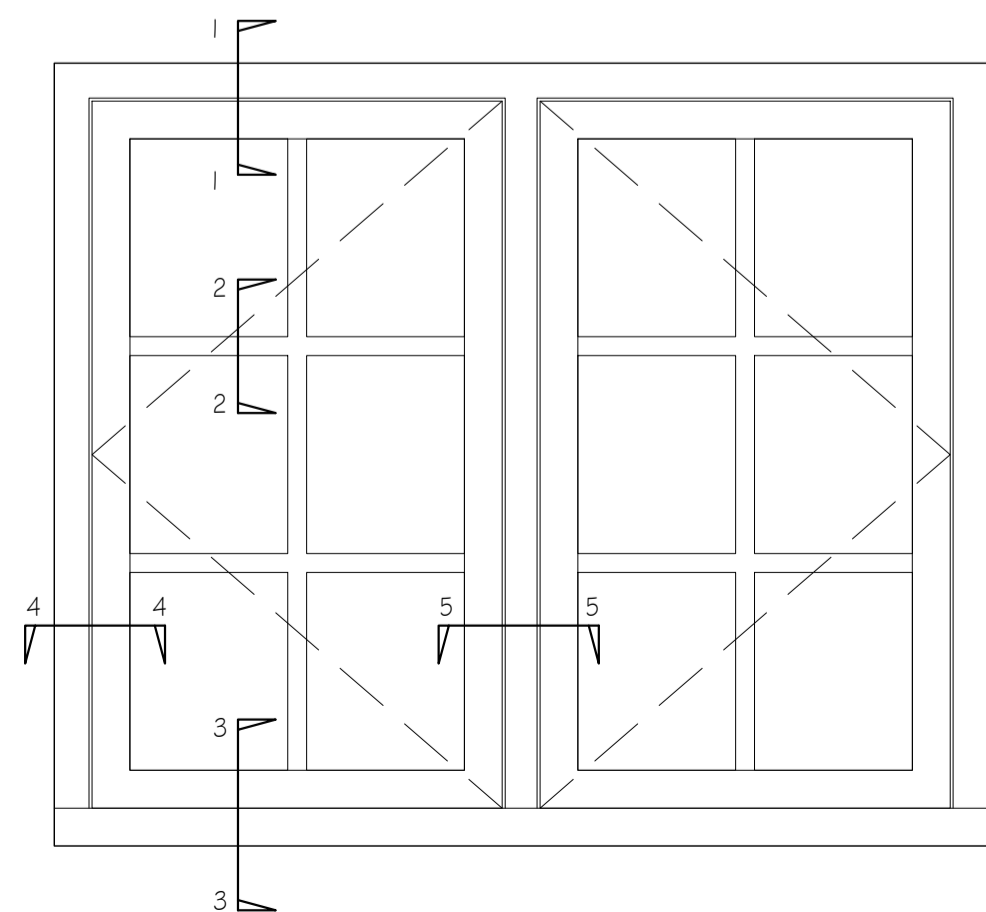
HIP DETAIL



EXTERNAL WINDOW  
(Typical Section)



EXTERNAL WINDOW  
(Typical Plan)



EXTERNAL WINDOW  
(Typical Elevation)

revisions	initial	date

Contractors, Sub Contractors and Suppliers are to check all relevant dimensions and levels of site and buildings before commencing any shop drawings or building work.

This drawing is copyright and may not be reproduced in any part of form without the written consent of Fowler Architecture and Planning

project  
**THE MALTHOUSE,**  
Beauworth

**planning**

drawing  
**Details 1 of 2**

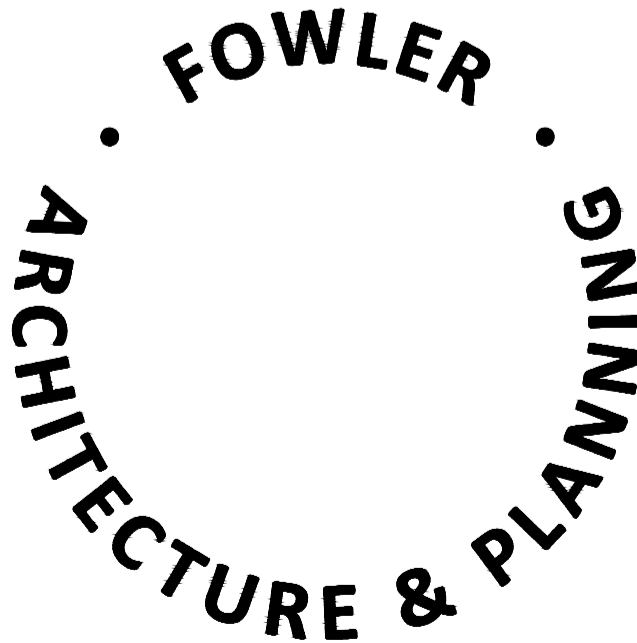
scale  
1:10 @A1

drawn by  
BL

date  
January 2021

191125-300  
drawing no

rev



19 High Street  
Pewsey  
Wiltshire  
SN9 5AF

tel (01672) 569444  
fax (01672) 569488  
enquiries@faap.co.uk

