

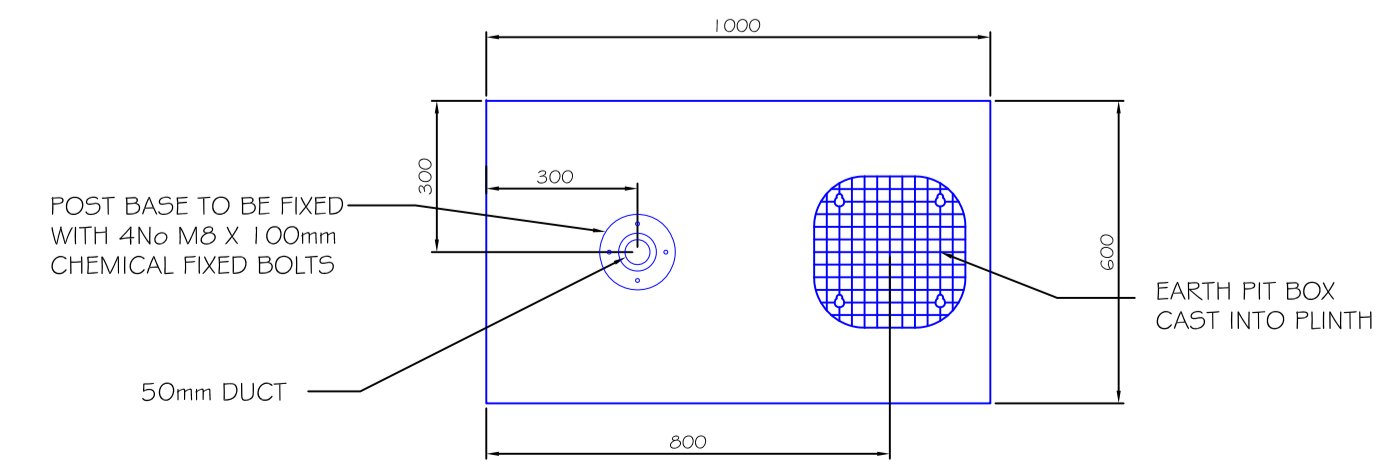
227 Total Car Parking Spaces
 2.5m x 5m (New Spaces)
 (inc. 14x disabled bays,
 9x Parent & Child Spaces)

Symbol	Label	Qty	Catalog Number	Description	Lamp	Watts
	F	3	Holophane FTS.3.LA094.FW	Column Mounted @ 6m 0° Bracket Tilt	LED C.900LM-4000K	66
	F2	6	Holophane FTS.3.LA094.FW	Column Mounted @ 6m 0° Bracket Tilt	LED C.900LM-4000K	132
	A	7	Holophane FTS.3.LA094.AY BLS	Column Mounted @ 6m 0° Bracket Tilt	LED C.900LM-4000K	66
	H	6	Flux LED 1x36W LED clear glass	Under Canopy	LED C.3300LM - 4000K	36
	K	9	MTA.5404.157.37	Wall Mounted @ 3.6m	LED C.2200LM - 4000K	33

--- 100mm DUCTS FOR POWER
 --- 100mm DUCTS FOR EXTERNAL LIGHTING

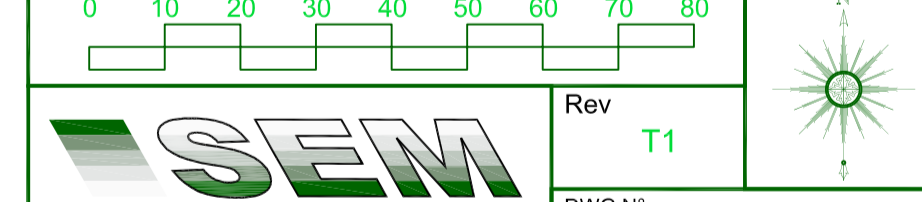
Description	Symbol	Avg	Min	Min/Avg
Car Park	+	20 lux	6 lux	0.30
Car Park	+	21 lux	6 lux	0.29
Car Park Whole	+	21 lux	6 lux	0.29

- NOTES**
- ALL FITTINGS DARK SKY COMPLIANT
 - ALL FITTINGS HAVE 0.9 MAINTENANCE FACTOR
 - ALL EXTERNAL LIGHTING TO BE AUTOMATICALLY CONTROLLED FOR PREVENTION OF OPERATION DURING DAYLIGHT HOURS (LUX METER AND TIMECLOCK) AND SHALL HAVE AN AVERAGE LUMINOUS EFFICACY OF >70LMS/CW
 - LIGHTING WILL NOT OPERATE BETWEEN 10:30PM - 06:00AM
 - FITTINGS BACKING ON TO ROADS AND HOUSES HAVE BACK LIGHT SHIELDS TO AVOID NUISANCE GLARE



ELECTRIC CAR CHARGING POINT BASE
 TO BE 1000 x 600 x 60mmD. WITH 50mm DUCT THROUGH CENTER FOR POWER.
 ADJACENT INSTALLATION OF EITHER AN EARTH MAT OR EARTH ROD, CONNECTED TO CHARGE POST, WITH THE ZE READING FOR THE EARTH TO BE LESS THAN 100(ohms)

T1	TENDER ISSUE	13/07/20	J.P.
REV	DESCRIPTION	DATE	CHK/APP



SEM Technology Limited
 HQ
 Clippers Quay
 Salford Quays
 M50 3XP
 Tel: 0161 813 2560
 Email: info@semtechnology.co.uk

Rev	T1
DWG N°	SEM1039/E05
Issue	TENDER
Scale	1:250@A1
Date	JUL 20

ALDI FOODSTORES
 HOLYOAKE AVENUE
 BLACKPOOL



PROPOSED EXTERNAL ELECTRICAL SERVICES LAYOUT

© THIS DRAWING IS THE COPYRIGHT OF SEM TECHNOLOGY LTD.
 It shall not be in any way used or reproduced without their prior written consent.
 All dimensions are to be checked on site prior to commencing work. Work only to figured dimensions.
 All dimensions are in millimeters unless stated otherwise.
 Any discrepancies are to be reported to the Services Engineer.