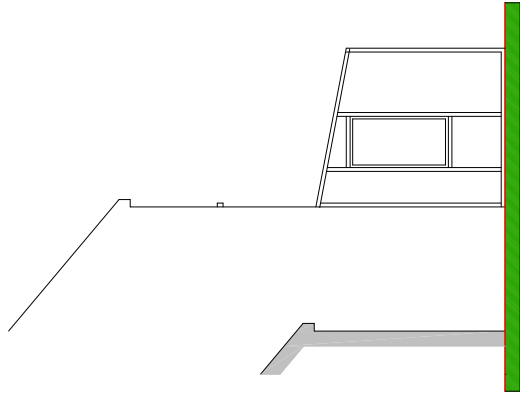
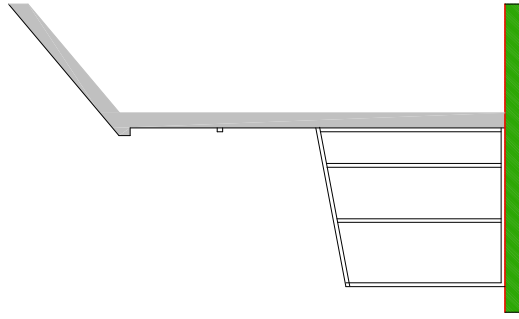


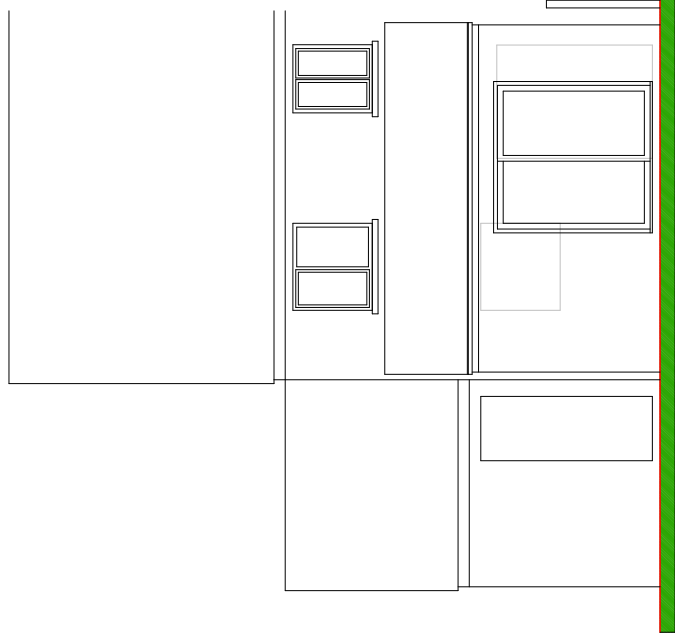
REAR ELEVATION WEST



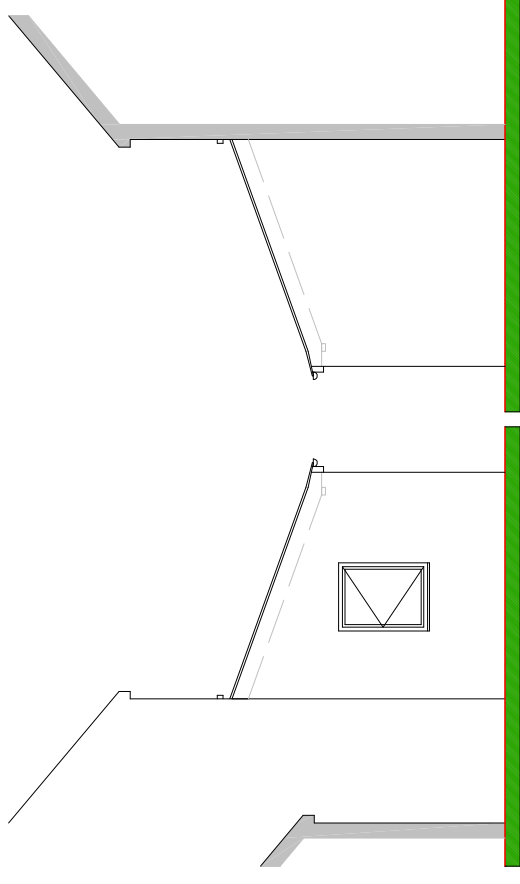
SIDE ELEVATION NORTH



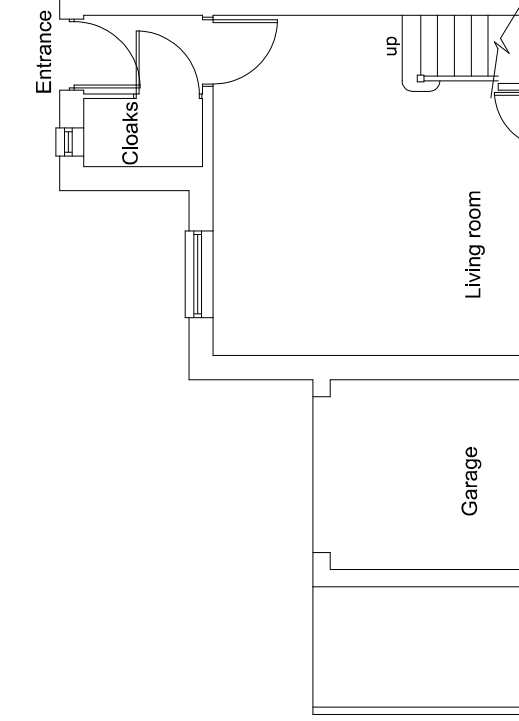
SIDE ELEVATION SOUTH



REAR ELEVATION WEST

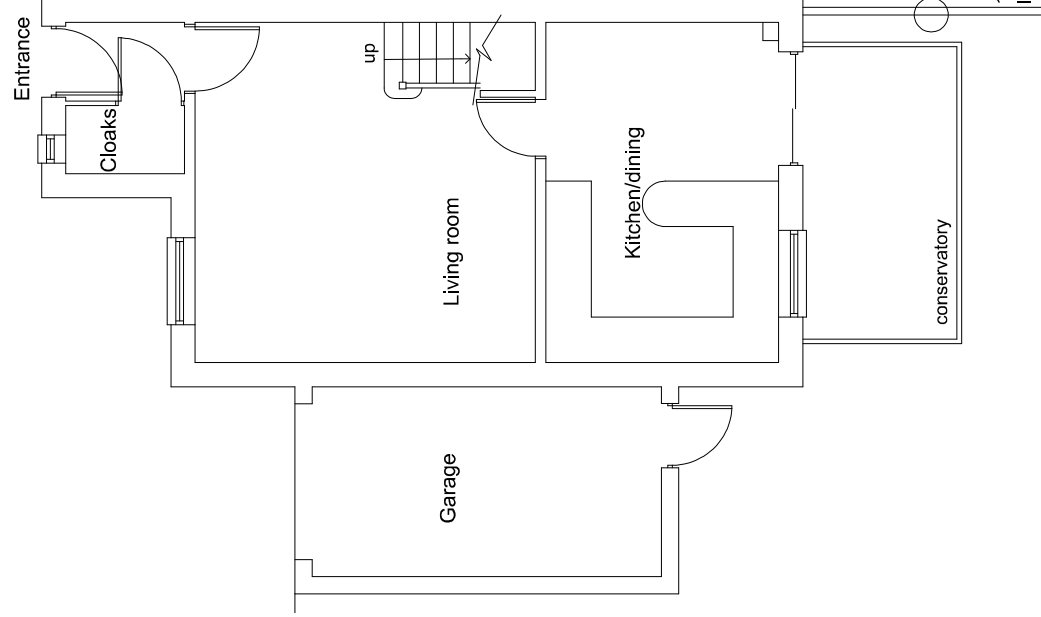


SIDE ELEVATION NORTH

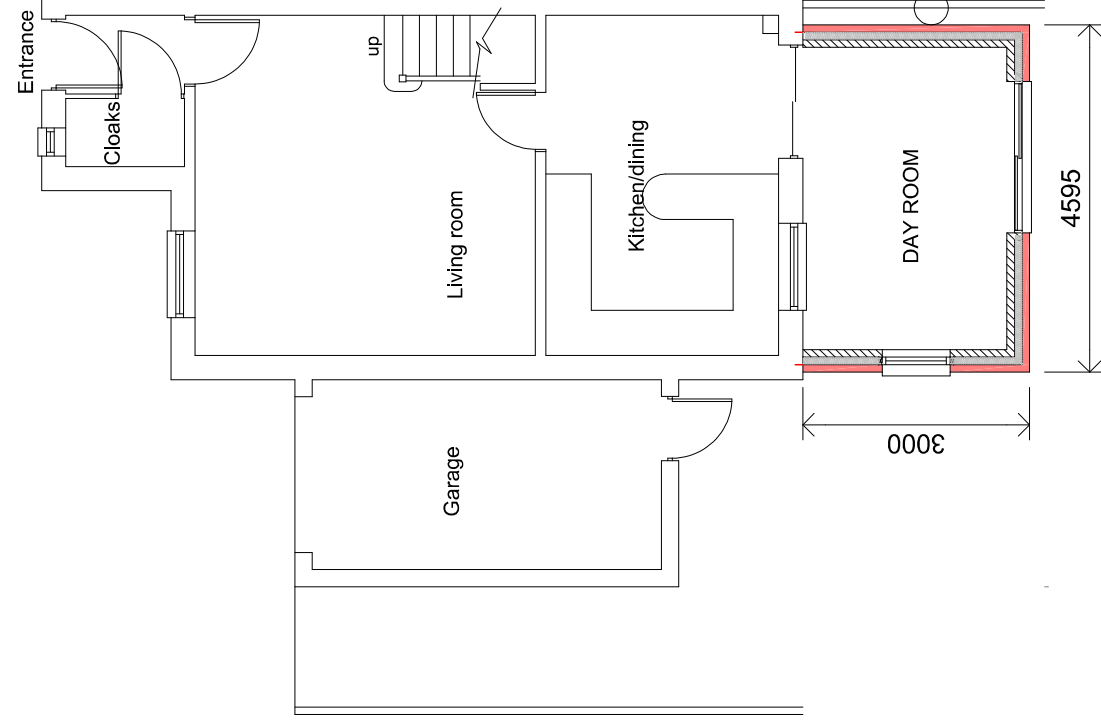


SIDE ELEVATION SOUTH

EXISTING PROPOSED



Rear garden



--	--	--	--	--	--	--	--	--	--

Revisions

Project  
12 ROTHERMERE CLOSE  
UP HATHERLEY GL51 3UU  
PROPOSED DAY ROOM  
PLANS AND ELEVATIONS

Drawing No. 485- PL 02

Scale 1:100 @ A3

Date February 2021

ARCHITECTNICS 01242 234351

BUILDING DESIGN AND PROJECT MANAGEMENT  
27 Cambray Place Cheltenham GL50 1JN