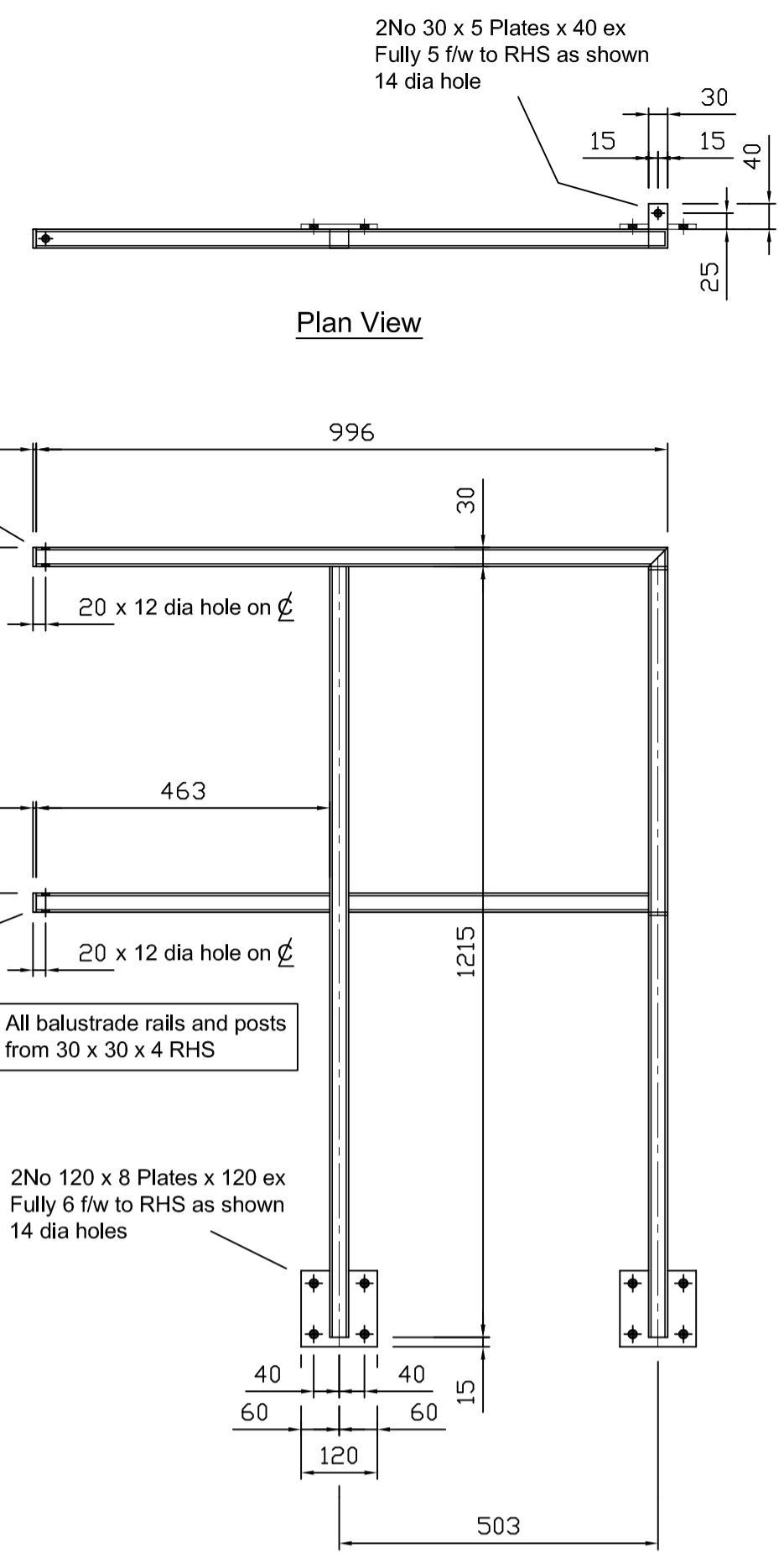
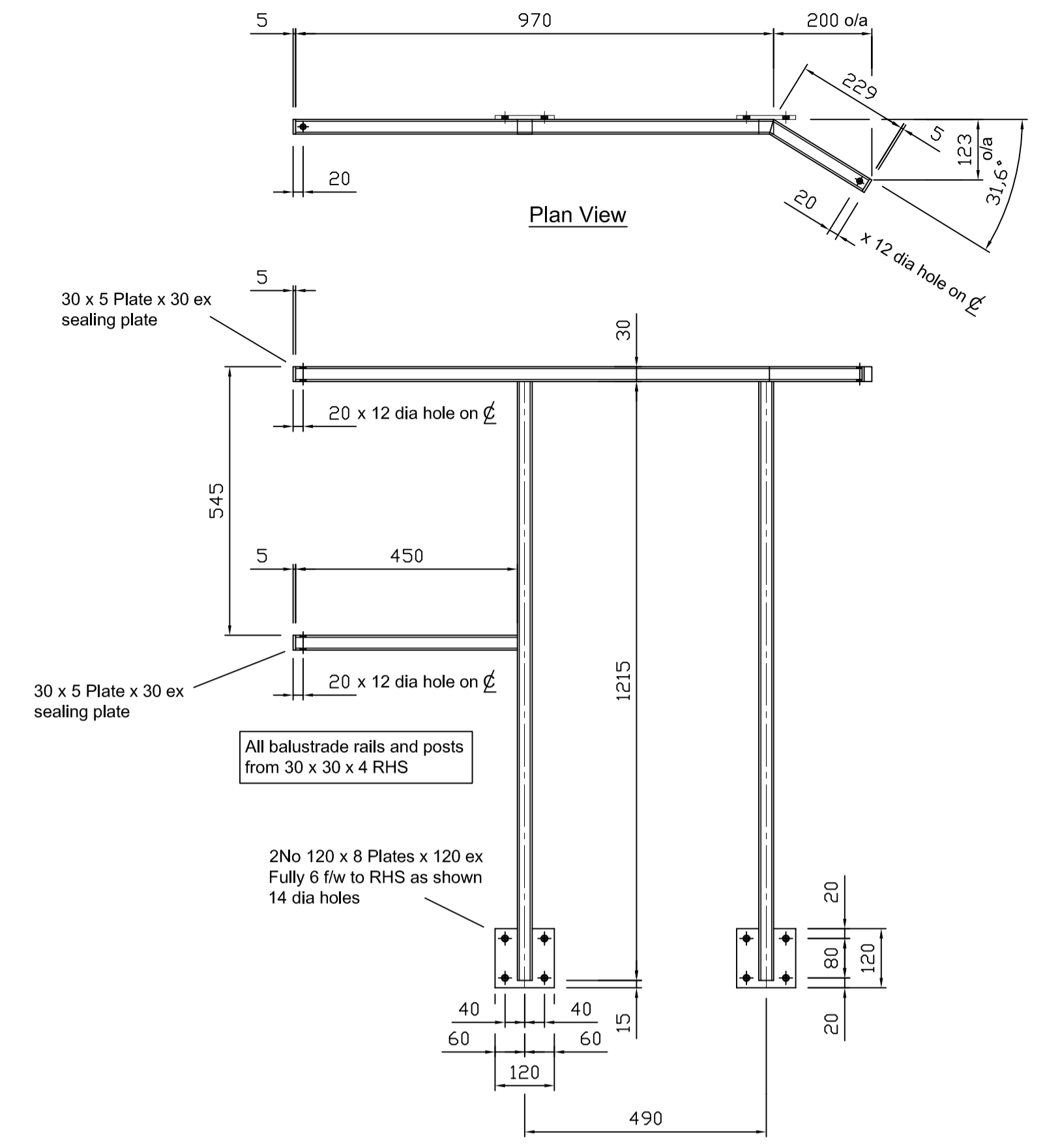


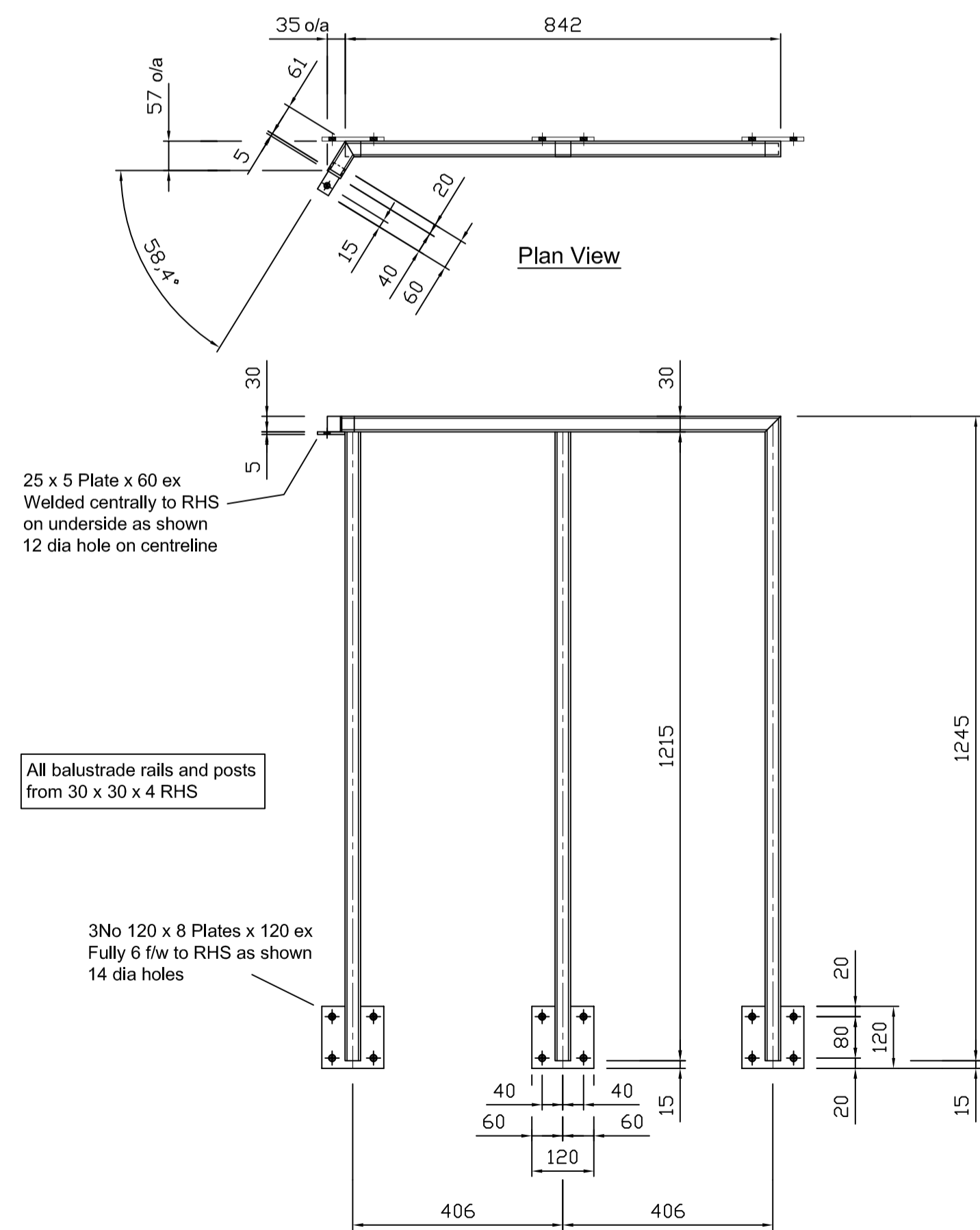
No 1 Balustrade Frame Req'd As Drawn Mkd BP1



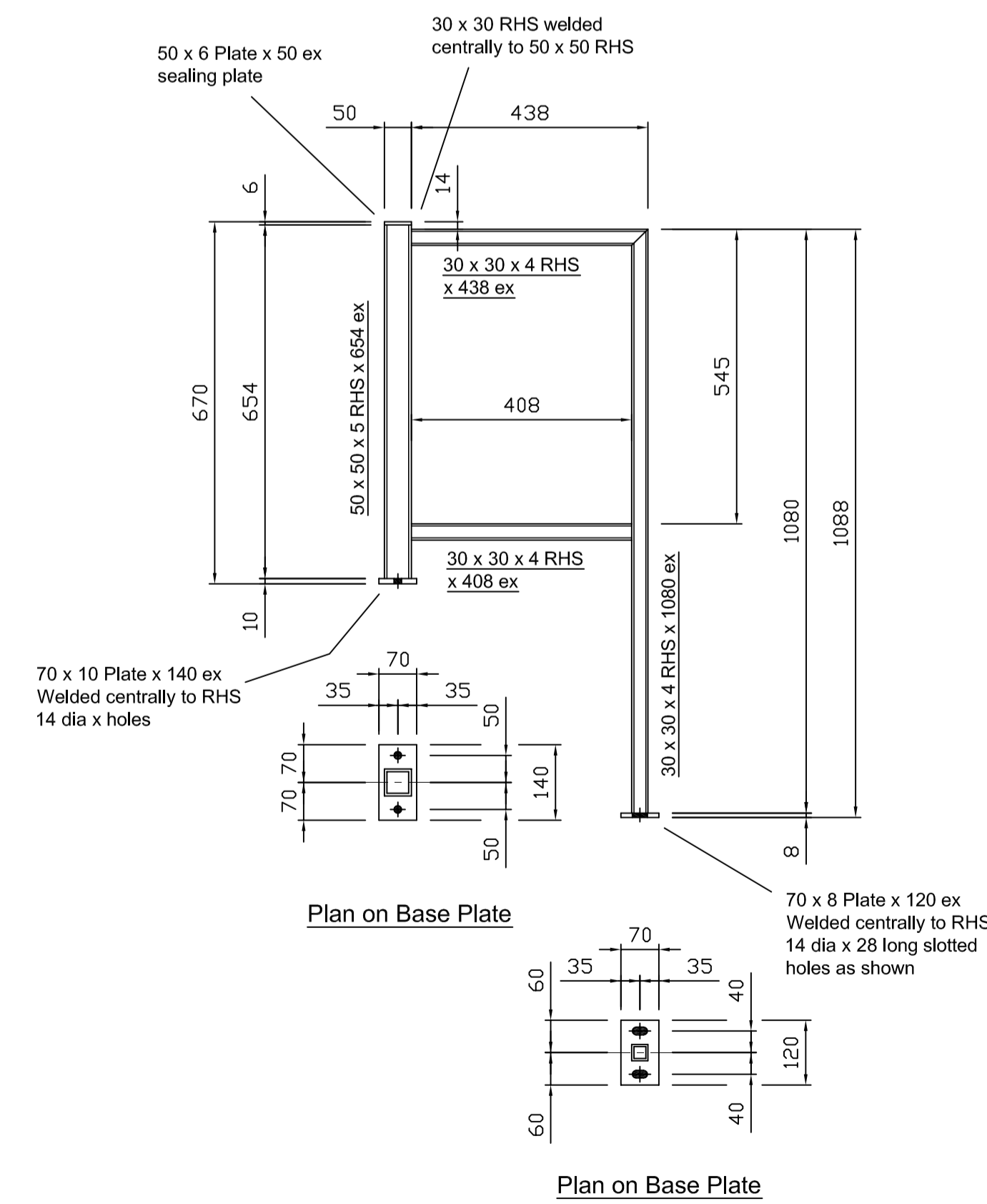
No 1 Balustrade Frame Req'd As Drawn Mkd BP2



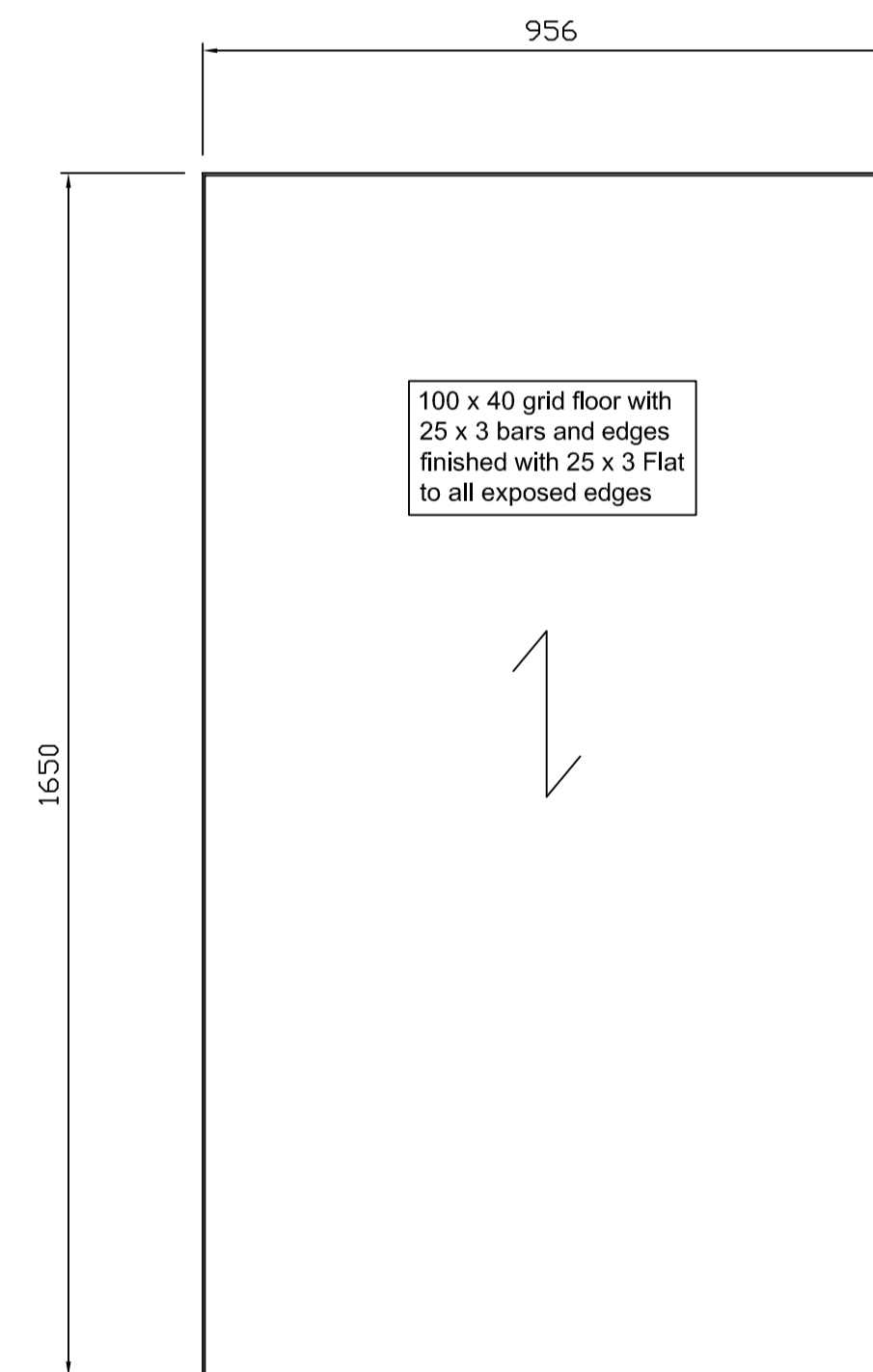
No 1 Balustrade Frame Req'd As Drawn Mkd BP3



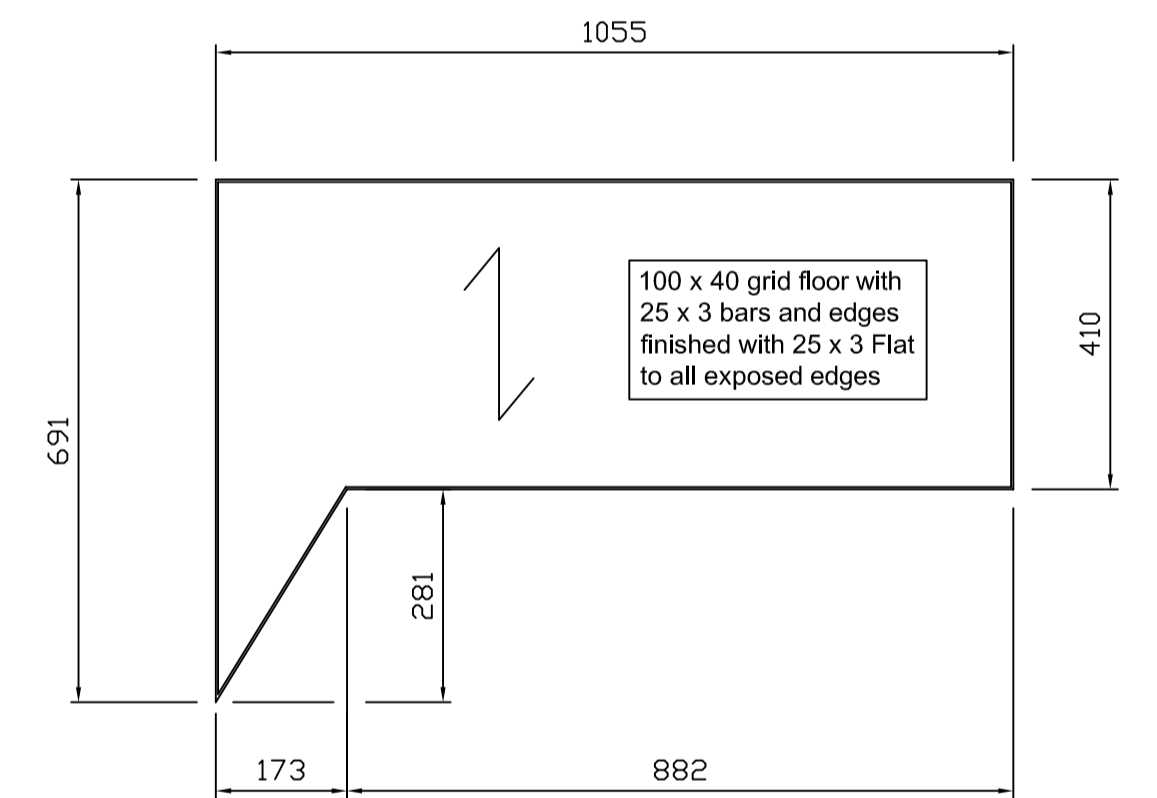
No 1 Balustrade Frame Req'd As Drawn Mkd BP4



No 1 Balustrade Frame Req'd As Drawn Mkd BP5



No 1 Grid Floor Req'd As Drawn Mkd GF1



No 1 Grid Floor Req'd As Drawn Mkd GF2

Site:-
Harlow

Title:-
Cat Ladder 1 Platform Balustrade and Grid Floor Details

PEC Playle Engineering Co. Ltd.
Home Farm Works, Birch, Colchester, Essex.

Drawn:- Jan 2021
Scale:- 1:10 @ A1

Drg No:-
PE-HCL-03