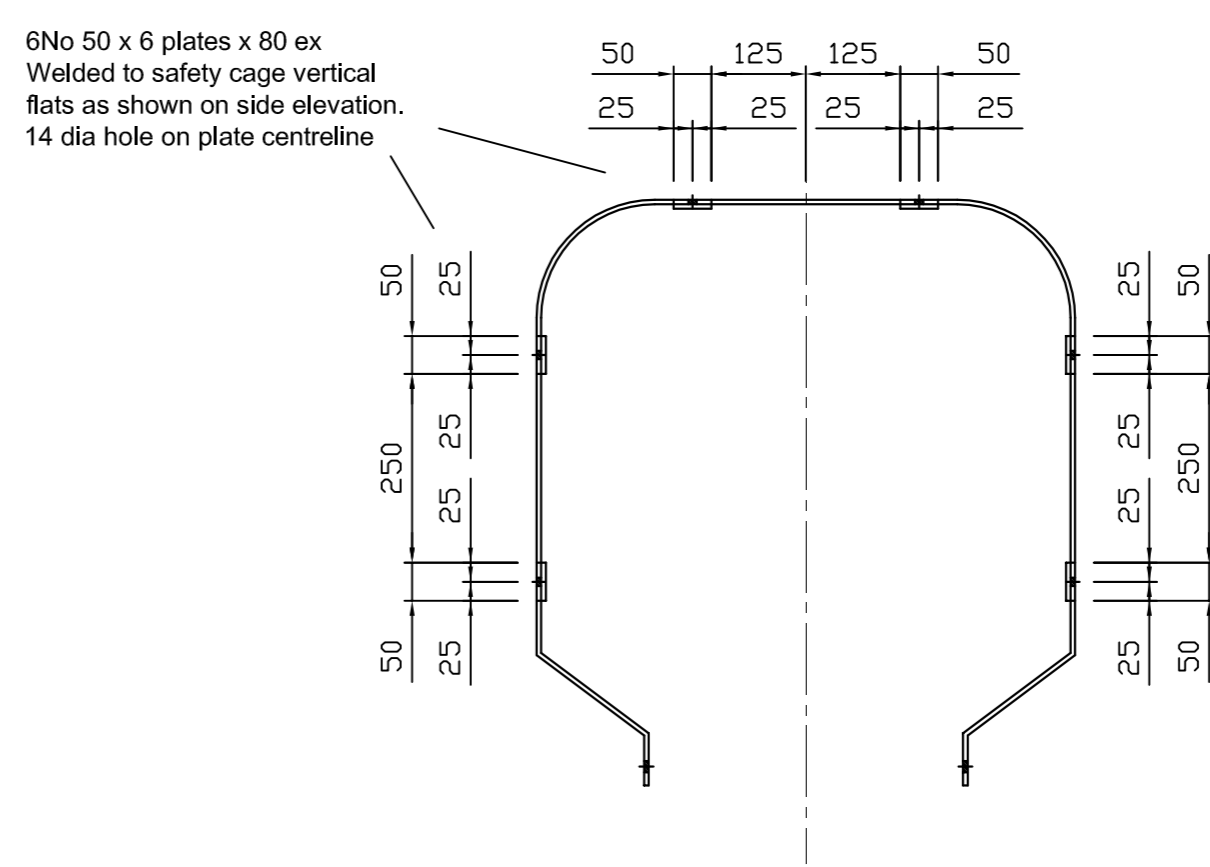
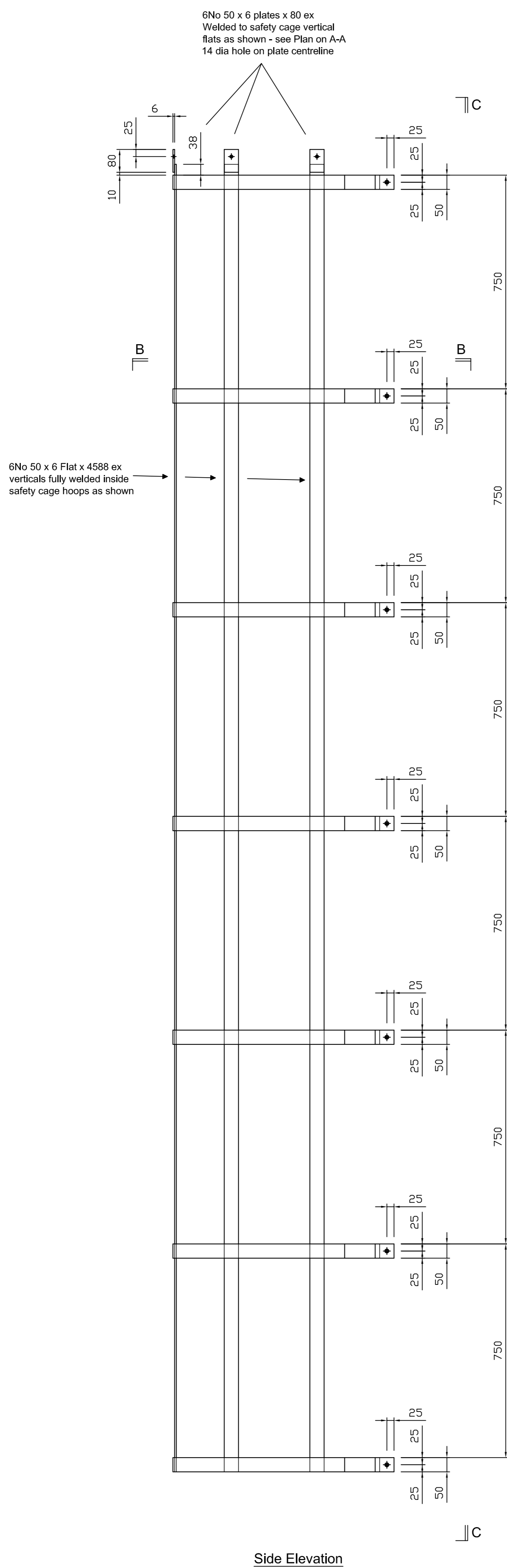


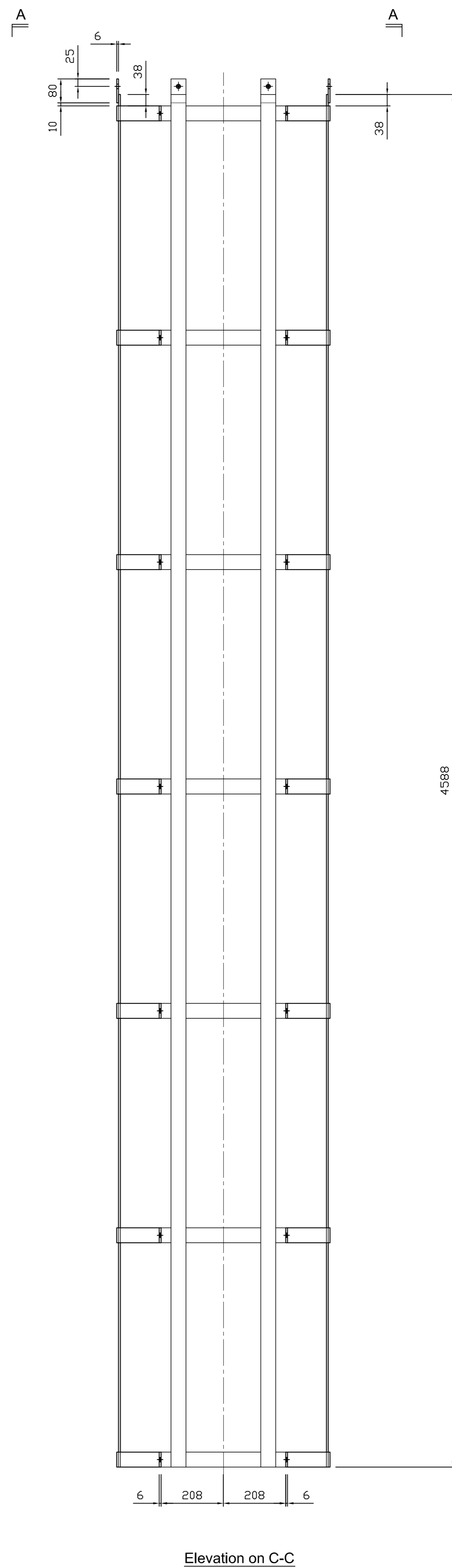
Section on B-B



Plan on A-A
All safety hoop dimensions as Section on B-B



Side Elevation



Elevation on C-C

No 1 Safety Cage Lower Section Req'd As Drawn