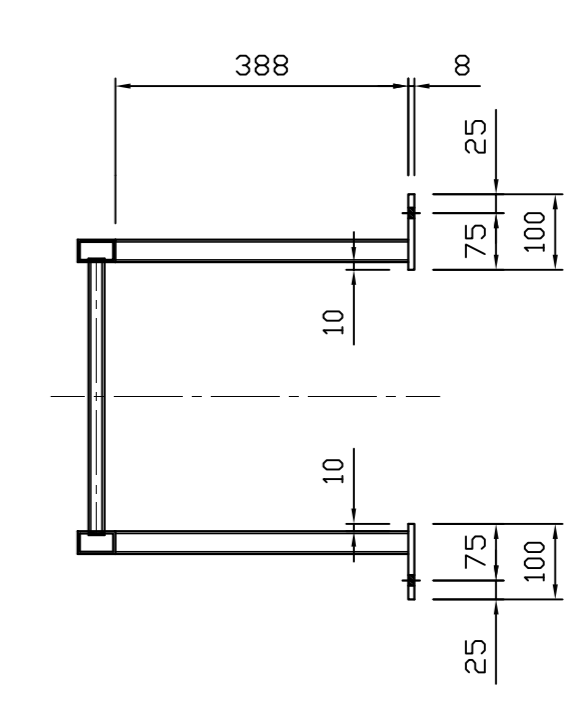
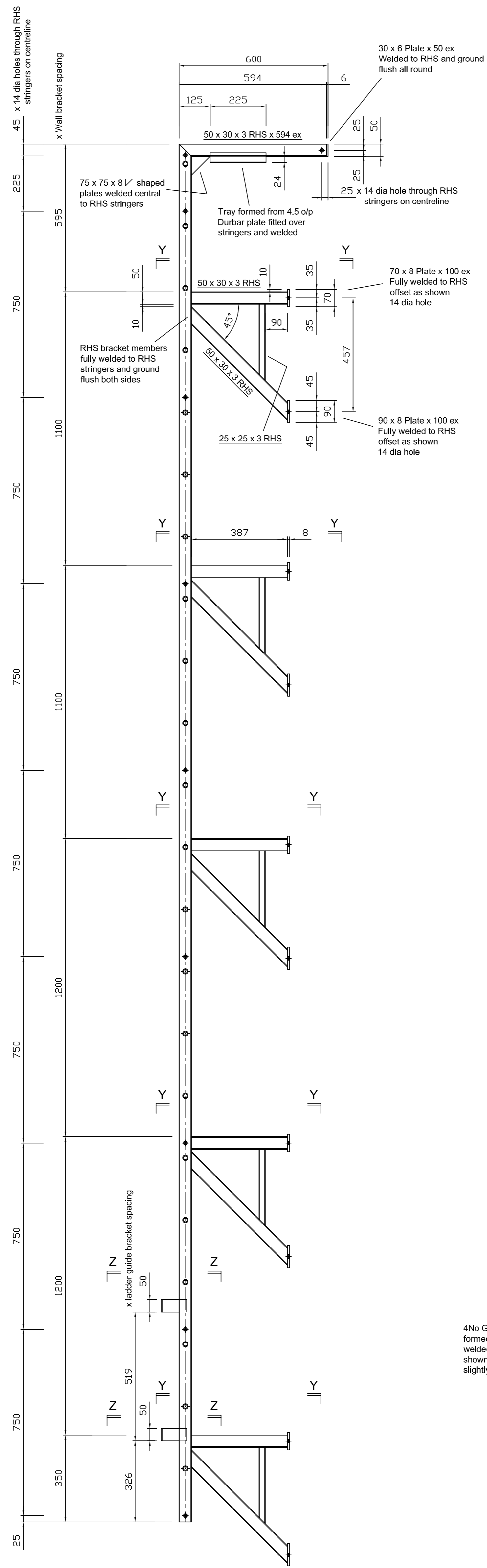
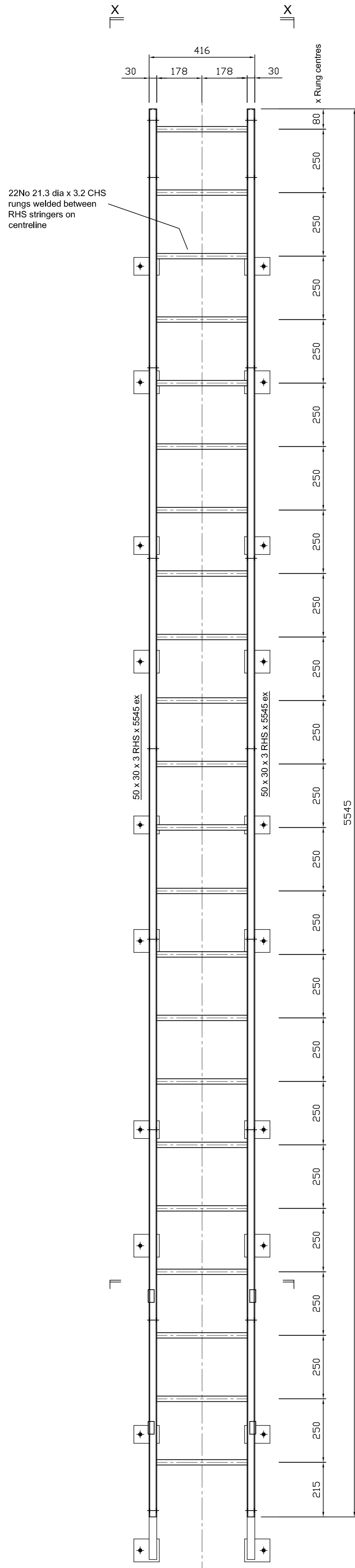
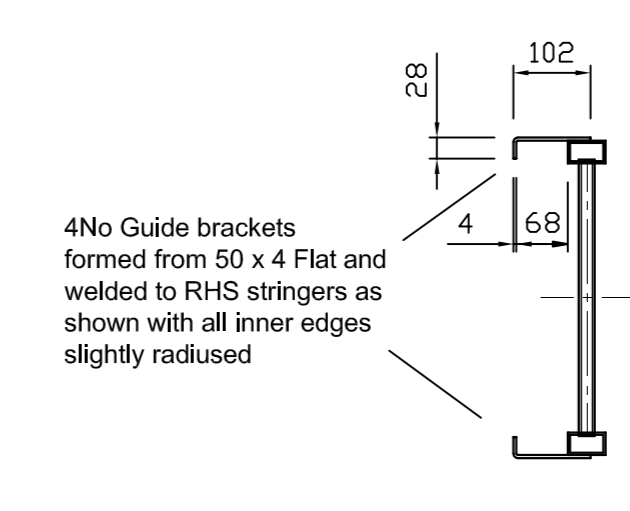


Plan on X-X




Section on Y-Y
Typical wall brackets detail



Section on Z-Z
Typical lower ladder guide bracket details

No 1 Cat Ladder Req'd As Drawn

Site:- Harlow	Title:- New Cat Ladder Steel Component Details	 Playle Engineering Co. Ltd. Home Farm Works, Birch, Colchester, Essex.	Drawn:- Jan 2021 Scale:- 1:10 @ A1	Drg No:- PE-HCL-09
-------------------------	--	--	---	------------------------------