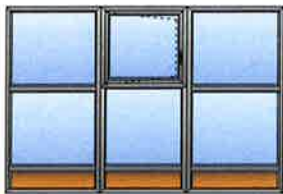


# **Appendix A**

## **Ottostumm Windows and Doors Specifications**

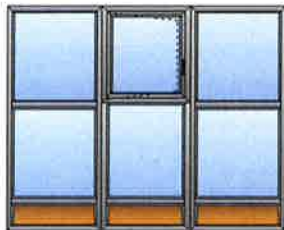
Items list-10 Pieces (1 of 2)

**Item: 1 open out window LEFT + fixed**



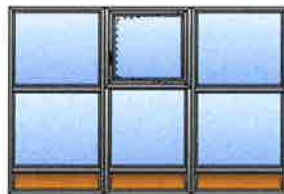
View: Internal  
 Type: 1  
 Prof.Serie: #W20 / #OS\_COM  
**Qty: 1, Dimension (WxH): 3340x2235**  
**Total surface: 1x7,5 mq = 7,5 mq**  
**Perimeter: 1x11,15 m = 11,15 m**  
 Exter.Color: ,,  
 Inter.Color: ,,  
 Fit.Color: ,, +BURNISHED BRASS, ,  
 Glasses: 16MM  
 Panels: 16MM  
 Location:

**Item: 2 open out window LEFT + fixed**



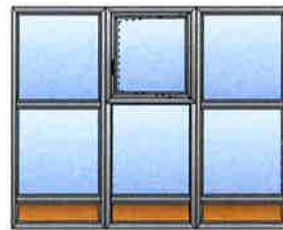
View: Internal  
 Type: 2  
 Prof.Serie: #W20 / #OS\_COM  
**Qty: 1, Dimension (WxH): 2780x2235**  
**Total surface: 1x6,2 mq = 6,2 mq**  
**Perimeter: 1x10,03 m = 10,03 m**  
 Exter.Color: ,,  
 Inter.Color: ,,  
 Fit.Color: ,, +BURNISHED BRASS, ,  
 Glasses: 16MM  
 Panels: 16MM  
 Location:

**Item: 3 open out window RIGHT+ fixed**



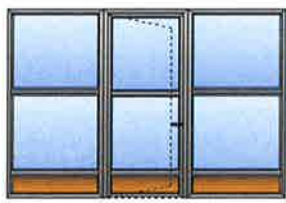
View: Internal  
 Type: 3  
 Prof.Serie: #W20 / #OS\_COM  
**Qty: 1, Dimension (WxH): 3320x2235**  
**Total surface: 1x7,4 mq = 7,4 mq**  
**Perimeter: 1x11,11 m = 11,11 m**  
 Exter.Color: ,,  
 Inter.Color: ,,  
 Fit.Color: ,, +BURNISHED BRASS, ,  
 Glasses: 16MM  
 Panels: 16MM  
 Location:

**Item: 4 open out window RIGHT+ fixed**



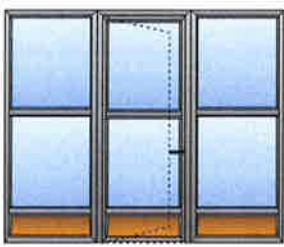
View: Internal  
 Type: 4  
 Prof.Serie: #W20 / #OS\_COM  
**Qty: 1, Dimension (WxH): 2815x2235**  
**Total surface: 1x6,3 mq = 6,3 mq**  
**Perimeter: 1x10,1 m = 10,1 m**  
 Exter.Color: ,,  
 Inter.Color: ,,  
 Fit.Color: ,, +BURNISHED BRASS, ,  
 Glasses: 16MM  
 Panels: 16MM  
 Location:

**Item: 5 open out door + fixed**



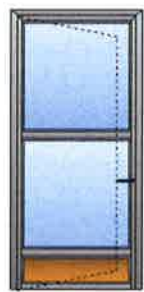
View: Internal  
 Type: 5  
 Prof.Serie: #W20 / #OS\_COM  
**Qty: 1, Dimension (WxH): 3300x2235**  
**Total surface: 1x7,4 mq = 7,4 mq**  
**Perimeter: 1x11,07 m = 11,07 m**  
 Exter.Color: ,,  
 Inter.Color: ,,  
 Fit.Color: ,, +BRUSHED BRASS, ,  
 Glasses: 16MM  
 Panels: 16MM  
 Location:

**Item: 6 open out door + fixed**



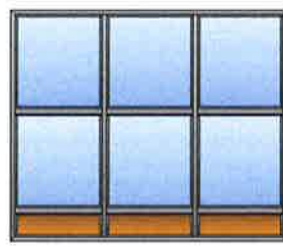
View: Internal  
 Type: 6  
 Prof.Serie: #W20 / #OS\_COM  
**Qty: 1, Dimension (WxH): 2705x2235**  
**Total surface: 1x6 mq = 6 mq**  
**Perimeter: 1x9,88 m = 9,88 m**  
 Exter.Color: ,,  
 Inter.Color: ,,  
 Fit.Color: ,, +BRUSHED BRASS, ,  
 Glasses: 16MM  
 Panels: 16MM  
 Location:

**Item: 7 open out door**



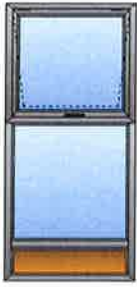
View: Internal  
 Type: 7  
 Prof.Serie: #W20 / #OS\_COM  
**Qty: 1, Dimension (WxH): 1050x2235**  
**Total surface: 1x2,3 mq = 2,3 mq**  
**Perimeter: 1x6,57 m = 6,57 m**  
 Exter.Color: ,,  
 Inter.Color: ,,  
 Fit.Color: ,, +SATIN CHROME, ,  
 Glasses: 16MM  
 Panels: 16MM  
 Location:

**Item: 8 fixed**



View: Internal  
 Type: 8  
 Prof.Serie: #W20 / #OS\_COM  
**Qty: 1, Dimension (WxH): 2690x2235**  
**Total surface: 1x6 mq = 6 mq**  
**Perimeter: 1x9,85 m = 9,85 m**  
 Exter.Color: ,,  
 Inter.Color: ,,  
 Fit.Color: ,,  
 Glasses: 16MM  
 Panels: 16MM  
 Location:

## Item: 9 top hung + fixed



View:	Internal
Type:	9
Prof.Serie:	#W20 / #OS_COM
<b>Qty: 1, Dimension (WxH): 1050x2235</b>	
<b>Total surface: 1x2,3 mq = 2,3 mq</b>	
<b>Perimeter: 1x6,57 m = 6,57 m</b>	
Exter.Color:	, ,
Inter.Color:	, ,
Fit.Color:	, , +BURNISHED BRASS, ,
Glasses:	16MM
Panels:	16MM
Location:	

## Item: 10 Top hung



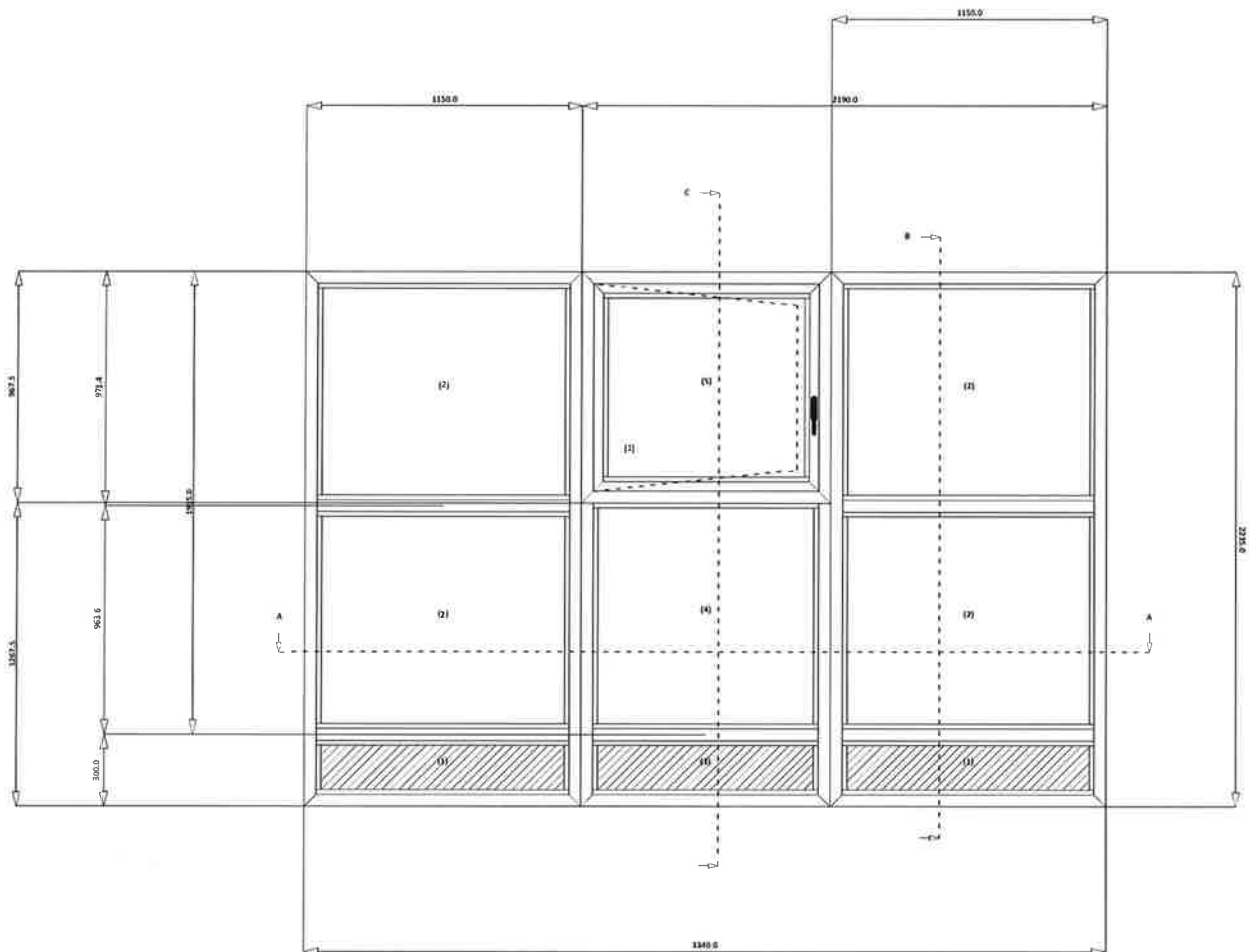
View:	Internal
Type:	10
Prof.Serie:	#W20 / #OS_COM
<b>Qty: 1, Dimension (WxH): 780x830</b>	
<b>Total surface: 1x0,6 mq = 0,6 mq</b>	
<b>Perimeter: 1x3,22 m = 3,22 m</b>	
Exter.Color:	, ,
Inter.Color:	, ,
Fit.Color:	, , +BURNISHED BRASS, ,
Glasses:	16MM
Panels:	
Location:	

TOTALI	
Area:	52,16 mq
Perimeter:	89,55 m

Style Drawings + Sections (1 of 10)

(INTERNAL VIEW - DIMENSIONS REFERRED TO EXTERNAL CHAMBER - MAXIMUM GLASSES EXTENSION)

Item: 1 Type: 1 Pieces: 1 Size: 3340x2235 Area: 7,46 mq  
 Description: open out window LEFT + fixed  
 Serie: #W20 / #OS\_COM Location:  
 Exter.Color: , ,  
 Inter.Color: , ,  
 Fit Color: , , +BURNISHED BRASS, ,  
 Variables: HND=0 LCK=0 HNG=0  
 (1) 16MM - 1121 x 279 \*\* (2) 16MM - 1119 x 948 \*\* (3) 16MM - 1011 x 279 \*\* (4) 16MM - 1009 x 954 \*\* (5) 16MM - 943 x 883  
 Openings Weight: (1)-10,64 kg \*\*



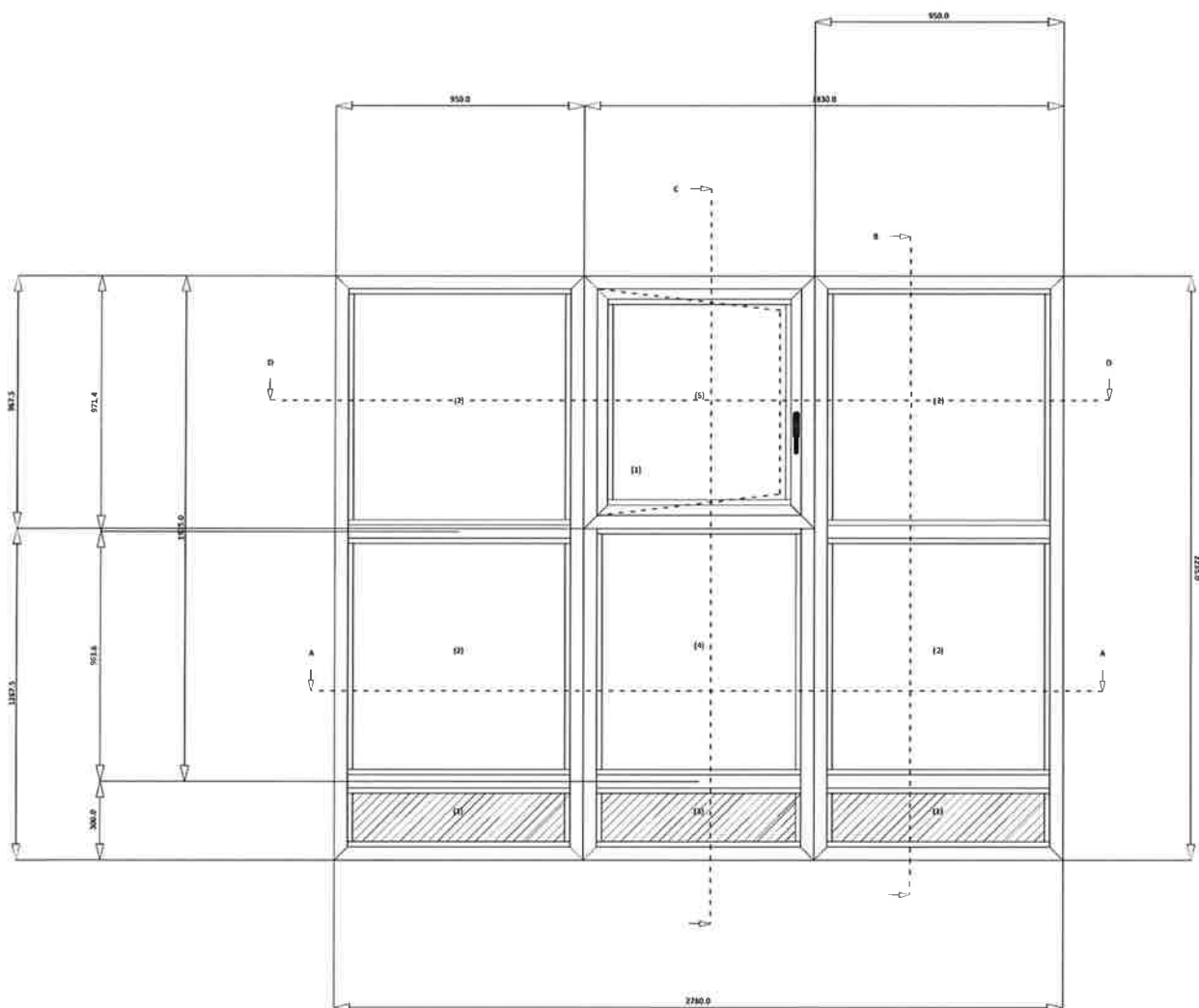
Notes:

(INTERNAL VIEW - DIMENSIONS REFERRED TO EXTERNAL CHAMBER - MAXIMUM GLASSES EXTENSION)

**Item:** 2      **Type:** 2      **Pieces:** 1      **Size:** 2780x2235      **Area:** 6,21 mq  
**Description:** open out window LEFT+ fixed  
**Serie:** #W20 / #OS\_COM      **Location:**  
**Exter.Color:** , ,  
**Inter.Color:** , ,  
**Fit Color:** , , +BURNISHED BRASS, ,  
**Variables:** HND=0 LCK=0 HNG=0

(1) 16MM - 921 x 279 \*\* (2) 16MM - 919 x 948 \*\* (3) 16MM - 851 x 279 \*\* (4) 16MM - 849 x 954 \*\* (5) 16MM - 783 x 883

Openings Weight: (1)-9,72 kg \*\*



Notes:

(INTERNAL VIEW - DIMENSIONS REFERRED TO EXTERNAL CHAMBER - MAXIMUM GLASSES EXTENSION)

Item: 3      Type: 3      Pieces: 1      Size: 3320x2235      Area: 7,42 mq

Description: open out window RIGHT+ fixed

Serie: #W20 / #OS\_COM      Location:

Exter.Color: , ,

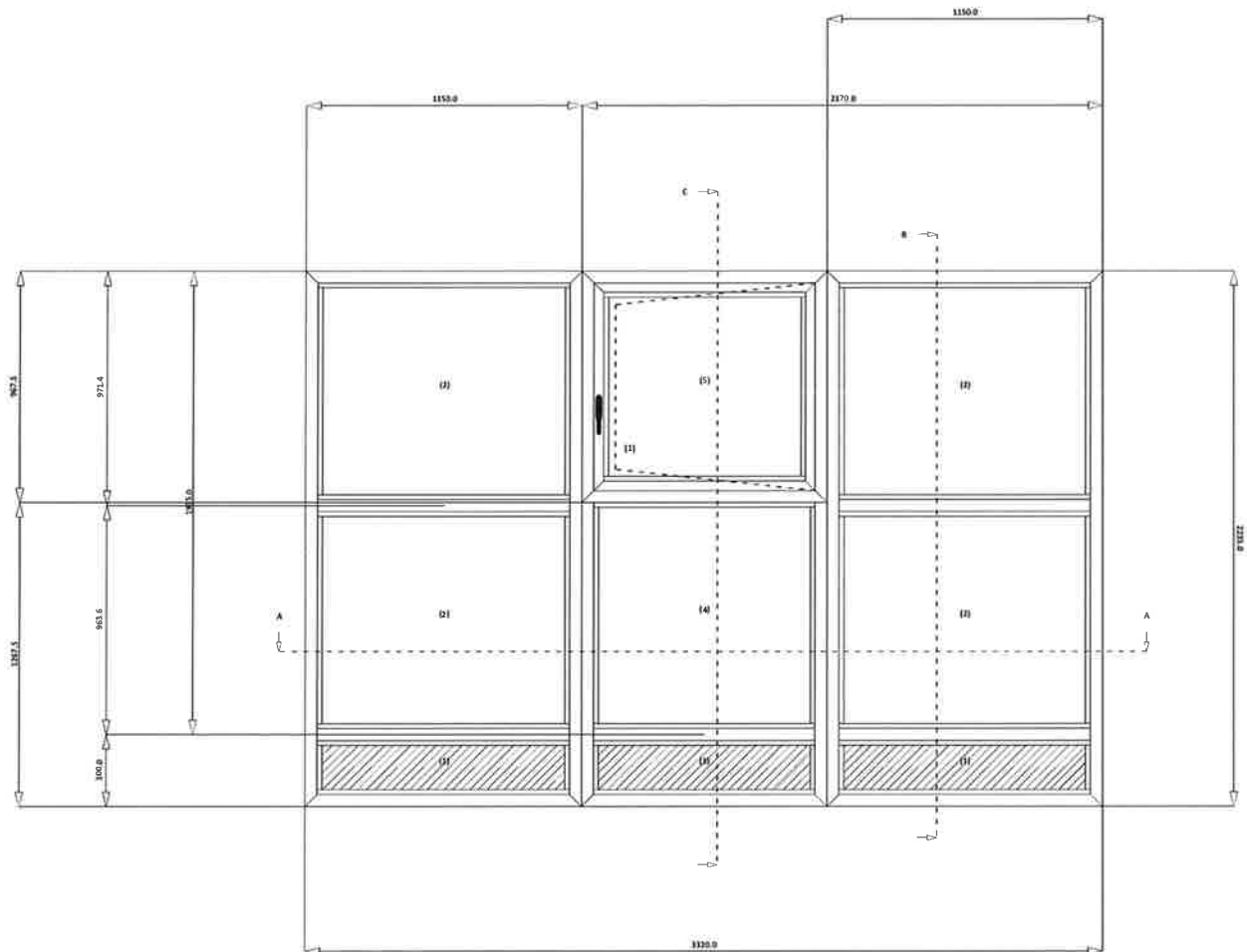
Inter.Color: , ,

Fit Color: , , +BURNISHED BRASS, ,

Variables: HND=0 LCK=0 HNG=0

(1) 16MM - 1121 x 279 \*\* (2) 16MM - 1119 x 948 \*\* (3) 16MM - 991 x 279 \*\* (4) 16MM - 989 x 954 \*\* (5) 16MM - 923 x 883

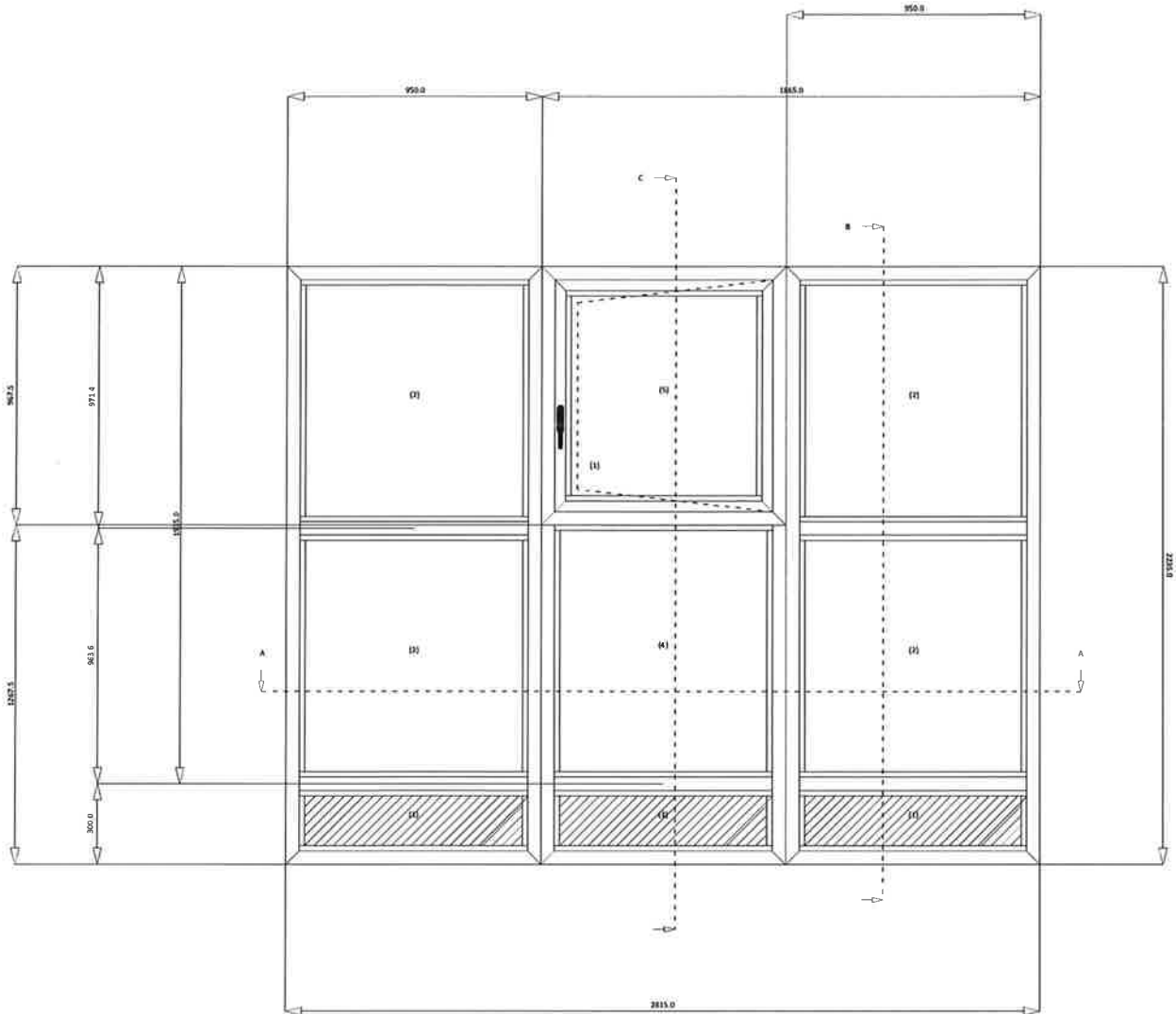
Openings Weight: (1)-10,52 kg \*\*



Notes:

(INTERNAL VIEW - DIMENSIONS REFERRED TO EXTERNAL CHAMBER - MAXIMUM GLASSES EXTENSION)

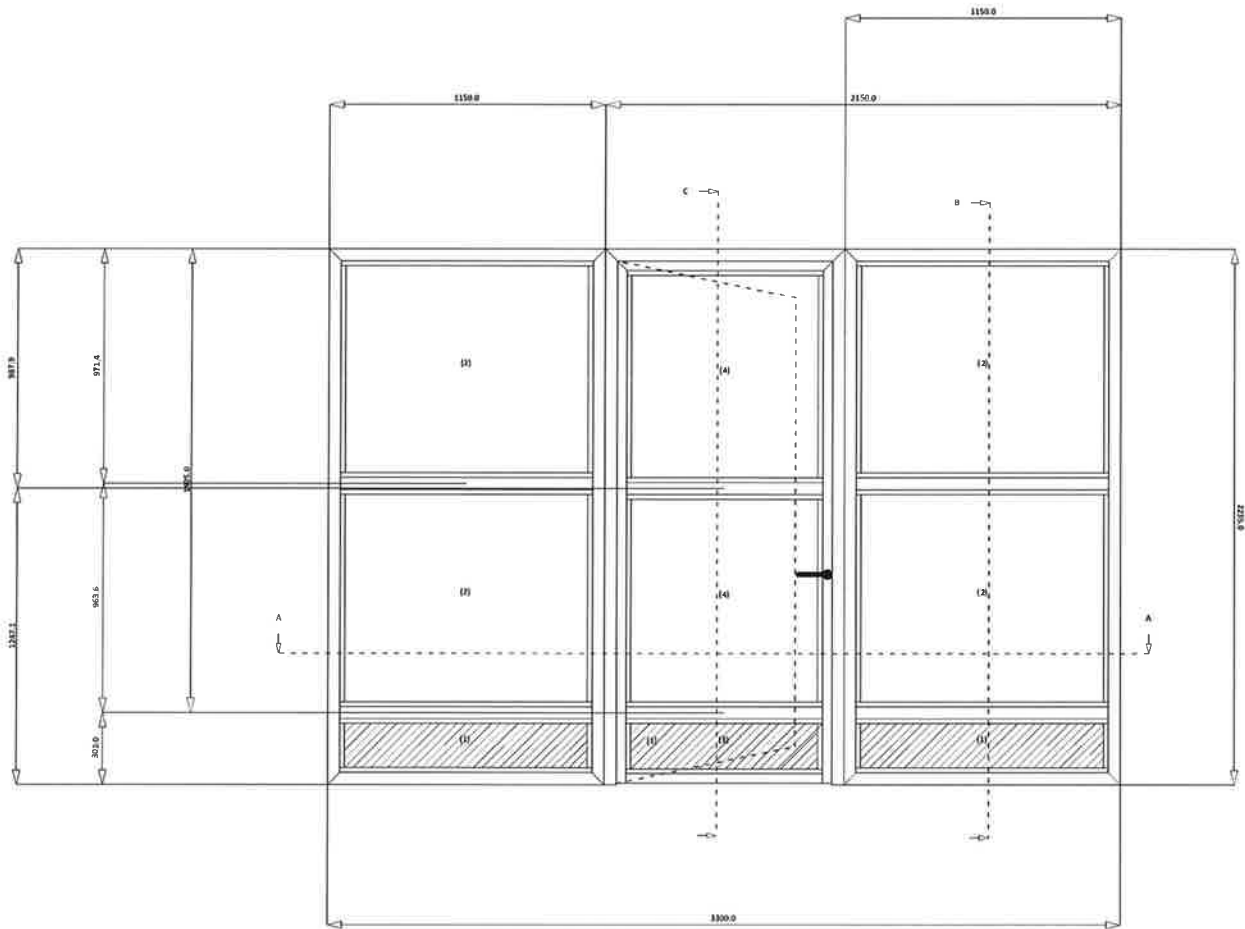
**Item:** 4      **Type:** 4      **Pieces** 1      **Size:** 2815x2235      **Area:** 6,29 mq  
**Description:** open out window RIGHT+ fixed  
**Serie:** #W20 / #OS\_COM      **Location:**  
**Exter.Color:** ,,  
**Inter.Color:** ,,  
**Fit Color:** ,,+BURNISHED BRASS, ,  
**Variables:** HND=0 LCK=0 HNG=0  
(1) 16MM - 921 x 279 \*\* (2) 16MM - 919 x 948 \*\* (3) 16MM - 886 x 279 \*\* (4) 16MM - 884 x 954 \*\* (5) 16MM - 818 x 883  
**Openings Weight:** (1)-9,92 kg \*\*



Notes:

(INTERNAL VIEW - DIMENSIONS REFERRED TO EXTERNAL CHAMBER - MAXIMUM GLASSES EXTENSION)

**Item:** 5      **Type:** 5      **Pieces:** 1      **Size:** 3300x2235      **Area:** 7,38 mq  
**Description:** open out door + fixed  
**Serie:** #W20 / #OS\_COM      **Location:**  
**Exter.Color:** , ,  
**Inter.Color:** , ,  
**Fit Color:** , , +BRUSHED BRASS , ,  
**Variables:** HND=0 LCK=0 HNG=0  
 (1) 16MM - 1121 x 279 \*\* (2) 16MM - 1119 x 948 \*\* (3) 16MM - 905 x 260 \*\* (4) 16MM - 903 x 932  
**Openings Weight:** (1)-19,97 kg \*\*

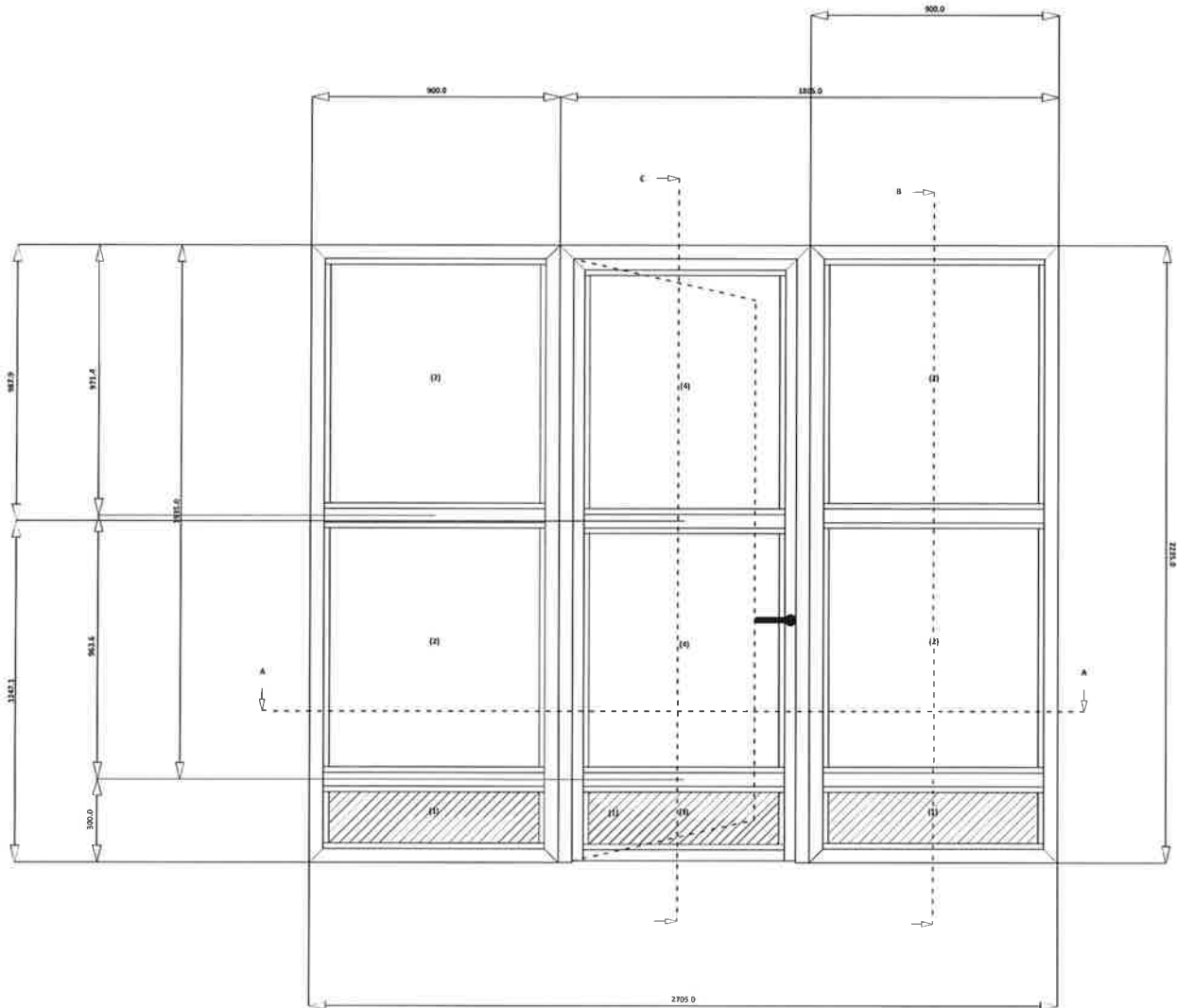


Notes:



{INTERNAL VIEW - DIMENSIONS REFERRED TO EXTERNAL CHAMBER - MAXIMUM GLASSES EXTENSION}

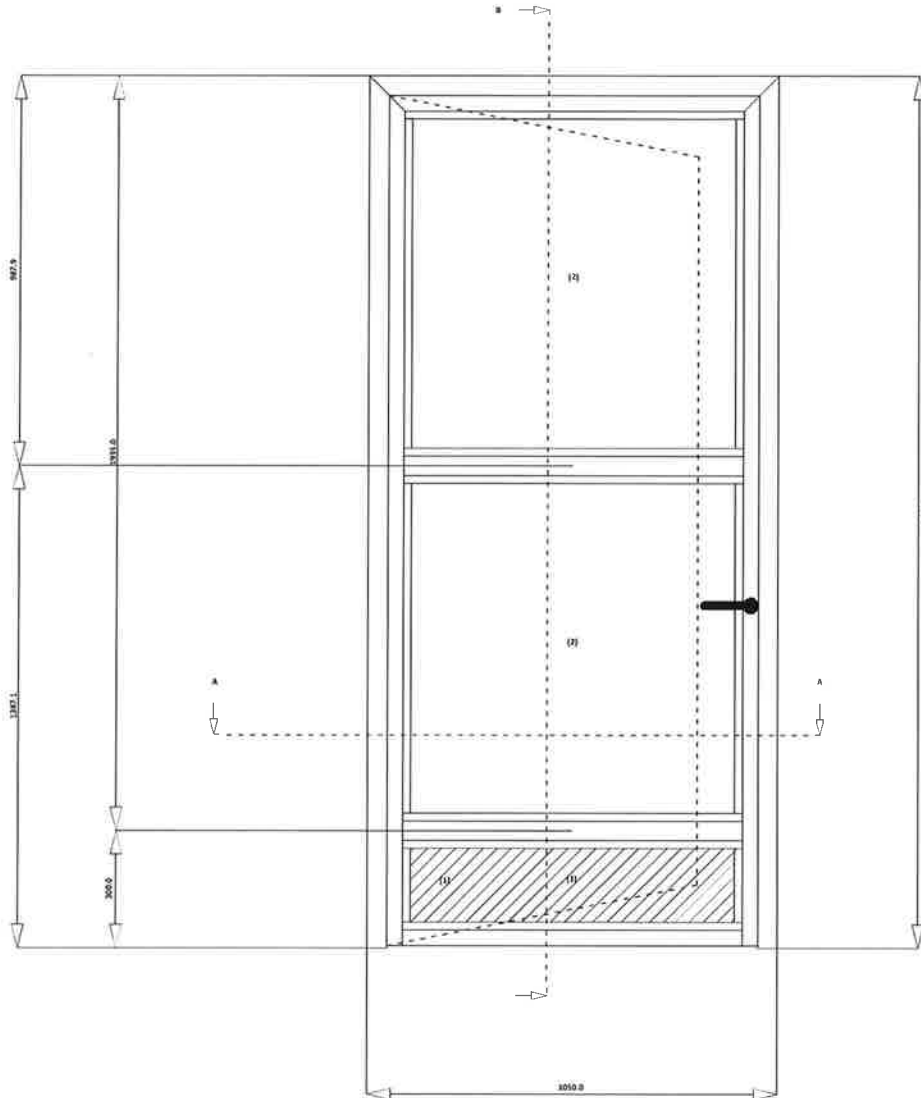
**Item:** 6      **Type:** 6      **Pieces** 1      **Size:** 2705x2235      **Area:** 6,05 mq  
**Description:** open out door + fixed  
**Serie:** #W20 / #OS\_COM      **Location:**  
**Exter.Color:** ,,  
**Inter.Color:** ,,  
**Fit Color:** ,,+BRUSHED BRASS,  
**Variables:** HND=0 LCK=0 HNG=0  
 (1) 16MM - 871 x 279 \*\* (2) 16MM - 869 x 948 \*\* (3) 16MM - 810 x 260 \*\* (4) 16MM - 808 x 932  
**Openings Weight:** (1)-19,2 kg \*\*



**Notes:**

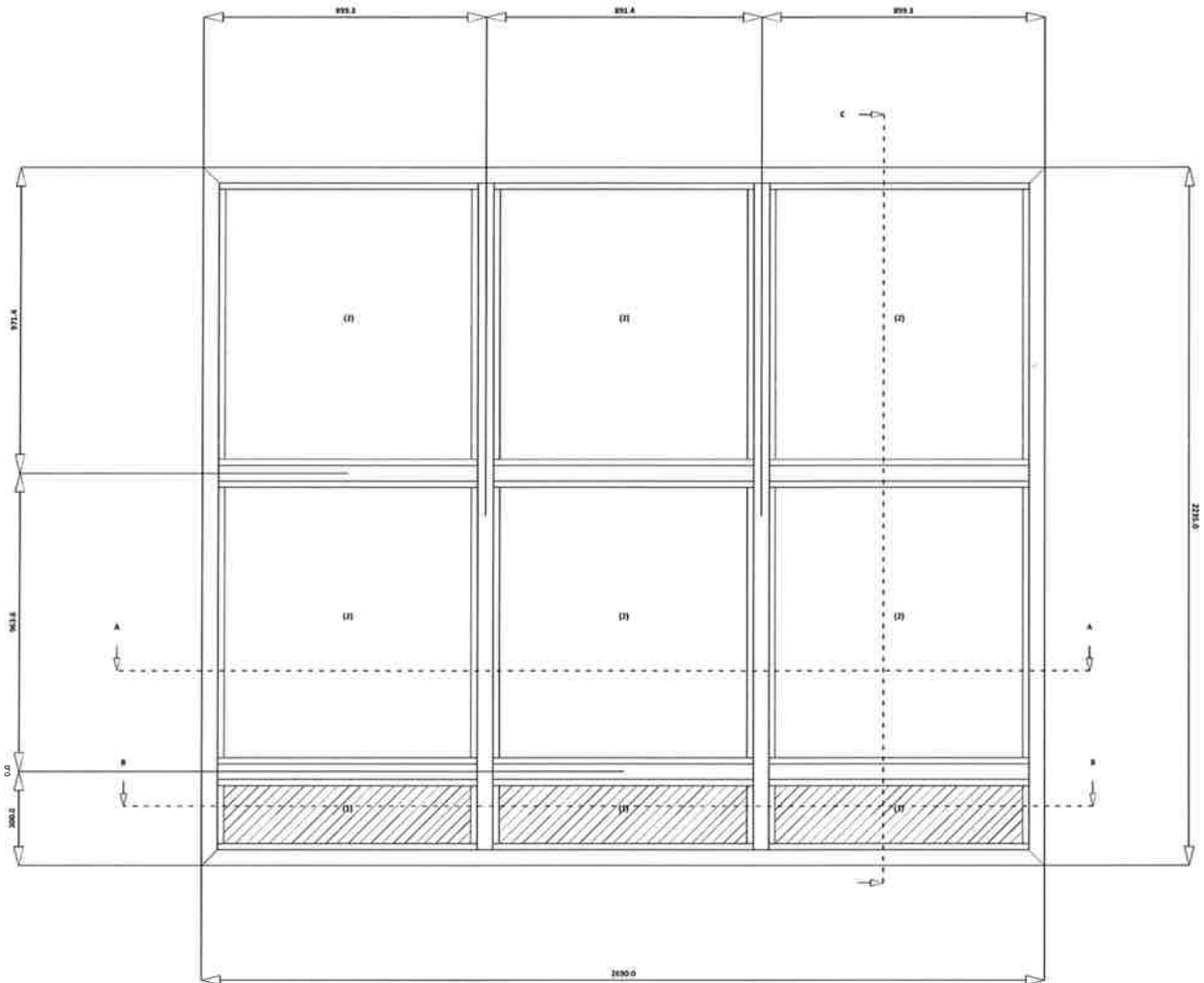
(INTERNAL VIEW - DIMENSIONS REFERRED TO EXTERNAL CHAMBER - MAXIMUM GLASSES EXTENSION)

Item: 7      Type: 7      Pieces: 1      Size: 1050x2235      Area: 2,35 mq  
Description: open out door  
Serie: #W20 / #OS\_COM      Location:  
Exter.Color: ,,  
Inter.Color: ,,  
Fit Color: ,,+SATIN CHROME, ,  
Variables: HND=0 HNG=0 LCK=0  
(1) 16MM - 955 x 260 \*\* (2) 16MM - 953 x 932  
Openings Weight: (1)-20,38 kg \*\*

**Notes:**

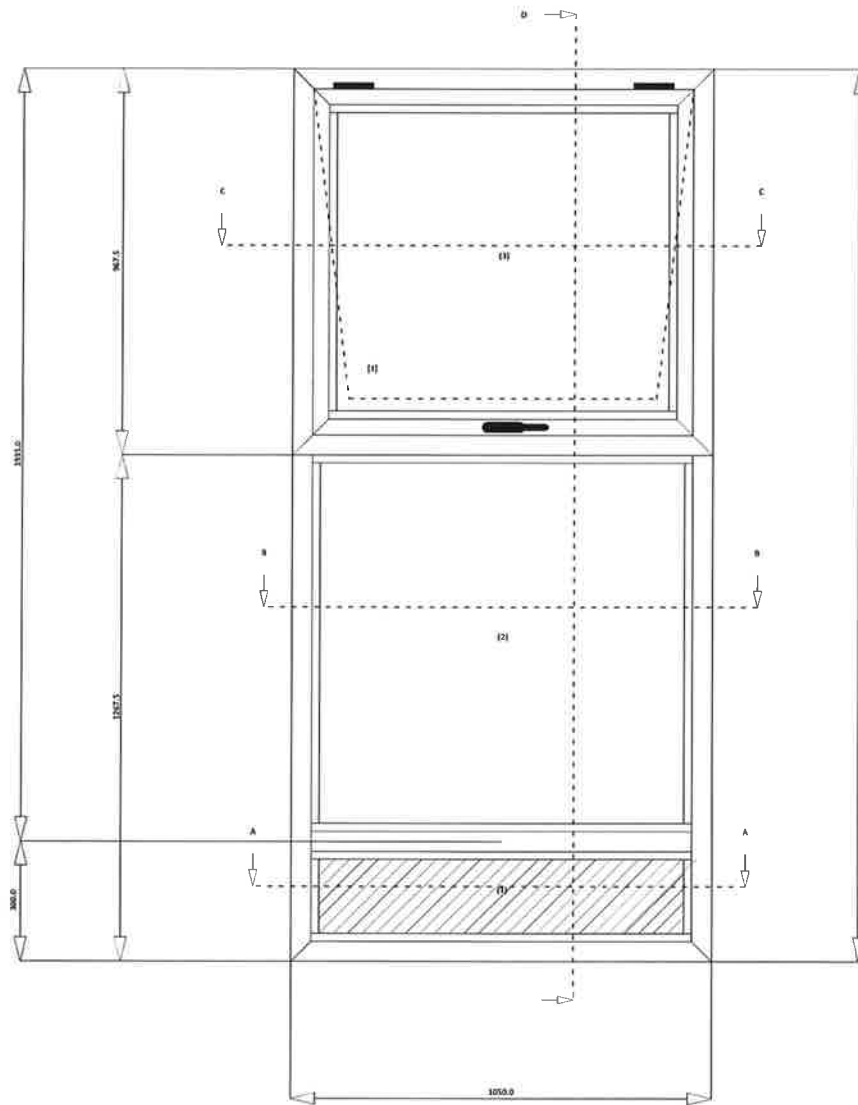
(INTERNAL VIEW - DIMENSIONS REFERRED TO EXTERNAL CHAMBER - MAXIMUM GLASSES EXTENSION)

**Item:** 8      **Type:** 8      **Pieces** 1      **Size:** 2690x2235      **Area:** 6,01 mq  
**Description:** fixed  
**Serie:** #W20 / #OS\_COM      **Location:**  
**Exter.Color:** ,,  
**Inter.Color:** ,,  
**Fit Color:** ,,  
**Variables:**  
(1) 16MM - 878 x 279 \*\* (2) 16MM - 876 x 948

**Notes:**

(INTERNAL VIEW - DIMENSIONS REFERRED TO EXTERNAL CHAMBER - MAXIMUM GLASSES EXTENSION)

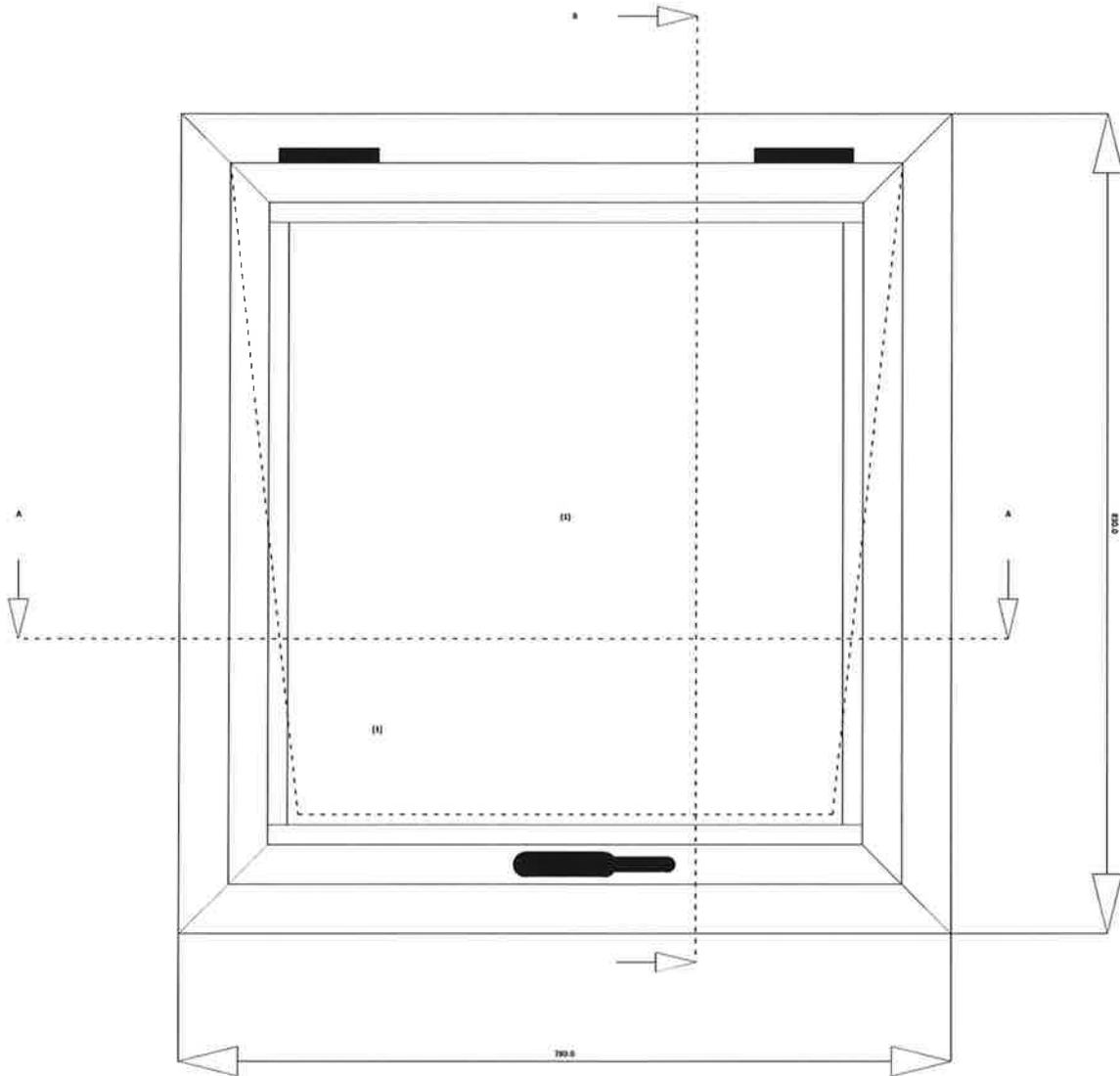
**Item:** 9      **Type:** 9      **Pieces** 1      **Size:** 1050x2235      **Area:** 2,35 mq  
**Description:** top hung + fixed  
**Serie:** #W20 / #OS\_COM      **Location:**  
**Exter.Color:** , ,  
**Inter.Color:** , ,  
**Fit Color:** , , +BURNISHED BRASS, ,  
**Variables:** HND=0 LCK=0 HNG=0  
 (1) 16MM - 1021 x 279 \*\* (2) 16MM - 1019 x 954 \*\* (3) 16MM - 953 x 883  
**Openings Weight:** (1)-10,69 kg \*\*



**Notes:**

(INTERNAL VIEW - DIMENSIONS REFERRED TO EXTERNAL CHAMBER - MAXIMUM GLASSES EXTENSION)

**Item:** 10      **Type:** 10      **Pieces** 1      **Size:** 780x830      **Area:** 0,65 mq  
**Description:** Top hung  
**Serie:** #W20 / #OS\_COM      **Location:**  
**Exter.Color:** ,,  
**Inter.Color:** ,,  
**Fit Color:** ,,+BURNISHED BRASS, ,  
**Variables:** HND=0 HNG=0 LCK=0  
 (1) 16MM - 683 x 733  
 Openings Weight: (1)-8,29 kg \*\*



**Notes:**

Job/Group: EGB114AA Delivery date: User: mromeo  
 Client/Site:  
 Description: W20

Sections (1 of 18)

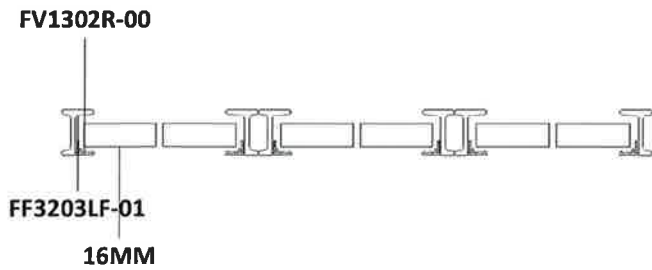


Item: 1 Type: 1 Size: 3340x2235 Area: 7,46 mq  
 Description: open out window LEFT + fixed  
 Pieces: 1 Serie: #W20 / #OS\_COM  
 Treatment: ,,  
 Fitting: #OTTOSTUMM  
 Variables: HND=0 LCK=0 HNG=0

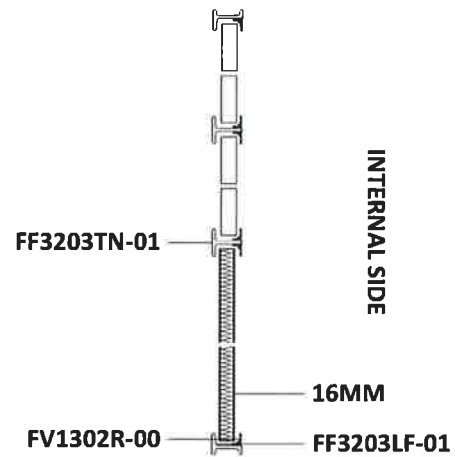
(1) 16MM - 1121 x 279 \*\* (2) 16MM - 1119 x 948 \*\* (3) 16MM - 1011 x 279 \*\* (4) 16MM - 1009 x 954 \*\* (5) 16MM - 943 x 883

SECTION AA

SECTION BB



INTERNAL SIDE

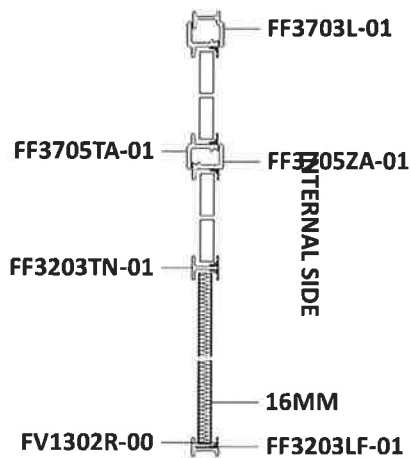




**Item:** 1      **Type:** 1      **Size:** 3340x2235      **Area:** 7,46 mq  
**Description:** open out window LEFT + fixed  
**Pieces:** 1      **Serie:** #W20 / #OS\_COM  
**Treatment:** ,,  
**Fitting:** #OTTOSTUMM  
**Variables:** HND=0 LCK=0 HNG=0

(1) 16MM - 1121 x 279 \*\* (2) 16MM - 1119 x 948 \*\* (3) 16MM - 1011 x 279 \*\* (4) 16MM - 1009 x 954 \*\* (5) 16MM - 943 x 883

SECTION CC



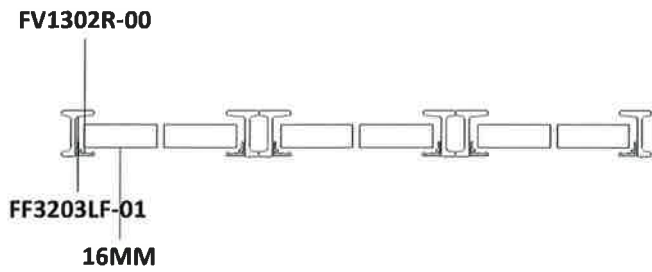


<b>Item:</b>	2	<b>Type:</b>	2	<b>Size:</b>	2780x2235	<b>Area:</b>	6,21 mq
<b>Description:</b>	open out window LEFT+ fixed						
<b>Pieces:</b>	1	<b>Serie:</b>	#W20 / #OS_COM				
<b>Treatment:</b>	,,						
<b>Fitting:</b>	#OTTOSTUMM						
<b>Variables:</b>	HND=0 LCK=0 HNG=0						

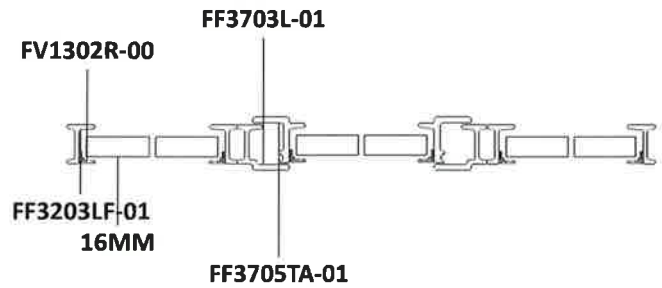
(1) 16MM - 921 x 279 \*\* (2) 16MM - 919 x 948 \*\* (3) 16MM - 851 x 279 \*\* (4) 16MM - 849 x 954 \*\* (5) 16MM - 783 x 883

SECTION AA

SECTION DD



INTERNAL SIDE



INTERNAL SIDE



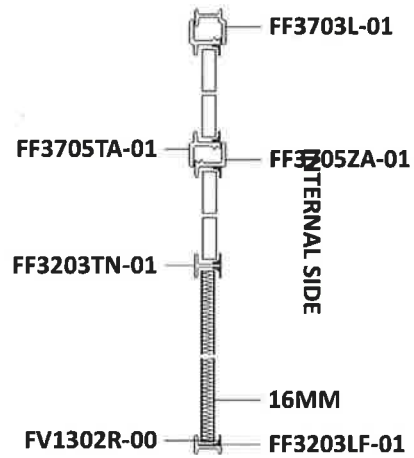
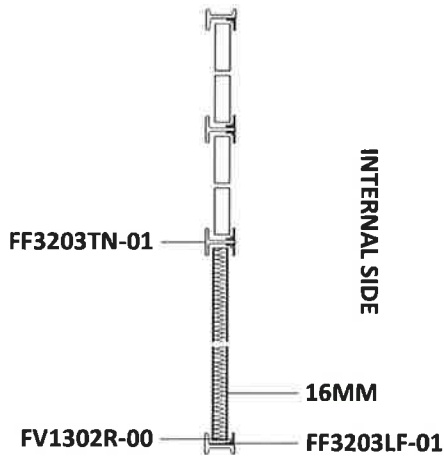


<b>Item:</b>	2	<b>Type:</b>	2	<b>Size:</b>	2780x2235	<b>Area:</b>	6,21 mq
<b>Description:</b>	open out window LEFT+ fixed						
<b>Pieces</b>	1	<b>Serie:</b>	#W20 / #OS_COM				
<b>Treatment:</b>	,,						
<b>Fitting:</b>	#OTTOSTUMM						
<b>Variables:</b>	HND=0 LCK=0 HNG=0						

(1) 16MM - 921 x 279 \*\* (2) 16MM - 919 x 948 \*\* (3) 16MM - 851 x 279 \*\* (4) 16MM - 849 x 954 \*\* (5) 16MM - 783 x 883

SECTION BB

SECTION CC



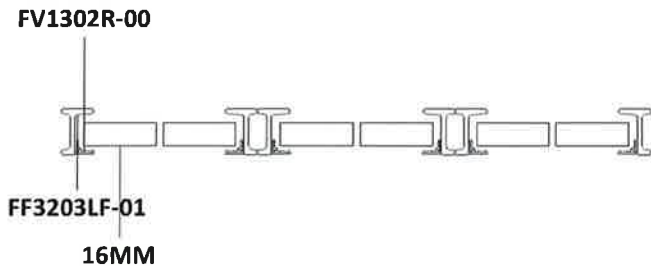


<b>Item:</b>	3	<b>Type:</b>	3	<b>Size:</b>	3320x2235	<b>Area:</b>	7,42 mq
<b>Description:</b>	open out window RIGHT+ fixed						
<b>Pieces</b>	1	<b>Serie:</b>	#W20 / #OS_COM				
<b>Treatment:</b>	,,						
<b>Fitting:</b>	#OTTOSTUMM						
<b>Variables:</b>	HND=0 LCK=0 HNG=0						

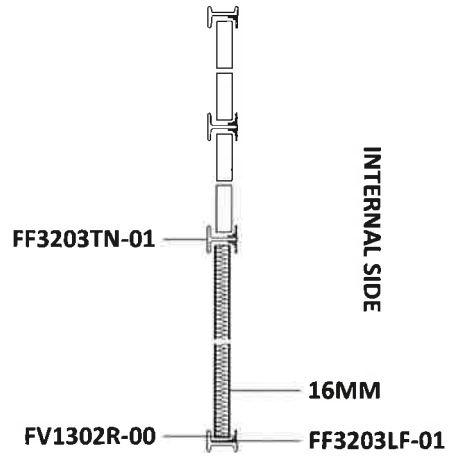
(1) 16MM - 1121 x 279 \*\* (2) 16MM - 1119 x 948 \*\* (3) 16MM - 991 x 279 \*\* (4) 16MM - 989 x 954 \*\* (5) 16MM - 923 x 883

SECTION AA

SECTION BB



INTERNAL SIDE

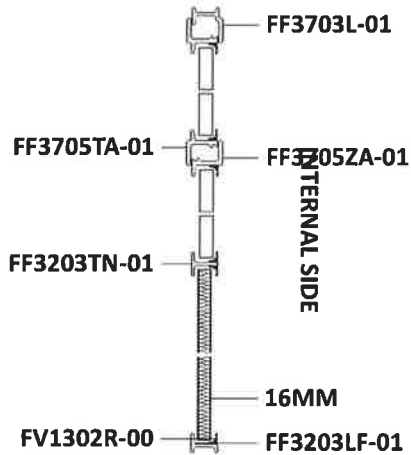




**Item:** 3      **Type:** 3      **Size:** 3320x2235      **Area:** 7,42 mq  
**Description:** open out window RIGHT+ fixed  
**Pieces:** 1      **Serie:** #W20 / #OS\_COM  
**Treatment:** , ,  
**Fitting:** #OTTOSTUMM  
**Variables:** HND=0 LCK=0 HNG=0

(1) 16MM - 1121 x 279 \*\* (2) 16MM - 1119 x 948 \*\* (3) 16MM - 991 x 279 \*\* (4) 16MM - 989 x 954 \*\* (5) 16MM - 923 x 883

SECTION CC





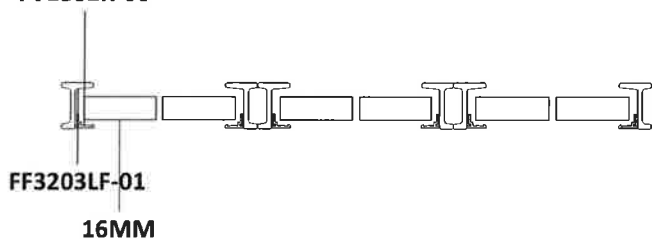
**Item:** 4      **Type:** 4      **Size:** 2815x2235      **Area:** 6,29 mq  
**Description:** open out window RIGHT+ fixed  
**Pieces:** 1      **Serie:** #W20 / #OS\_COM  
**Treatment:** ,,  
**Fitting:** #OTTOSTUMM  
**Variables:** HND=0 LCK=0 HNG=0

(1) 16MM - 921 x 279 \*\* (2) 16MM - 919 x 948 \*\* (3) 16MM - 886 x 279 \*\* (4) 16MM - 884 x 954 \*\* (5) 16MM - 818 x 883

SECTION AA

SECTION BB

FV1302R-00



INTERNAL SIDE



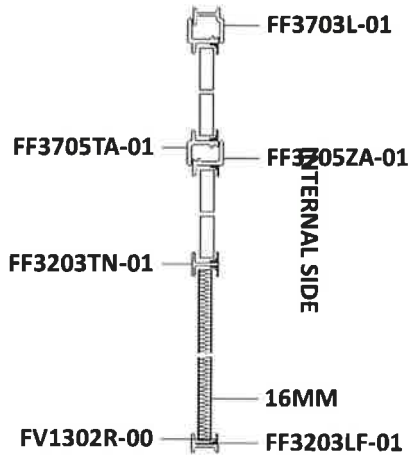
INTERNAL SIDE

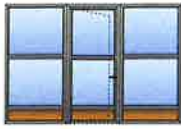


**Item:** 4      **Type:** 4      **Size:** 2815x2235      **Area:** 6,29 mq  
**Description:** open out window RIGHT+ fixed  
**Pieces:** 1      **Serie:** #W20 / #OS\_COM  
**Treatment:** , ,  
**Fitting:** #OTTOSTUMM  
**Variables:** HND=0 LCK=0 HNG=0

(1) 16MM - 921 x 279 \*\* (2) 16MM - 919 x 948 \*\* (3) 16MM - 886 x 279 \*\* (4) 16MM - 884 x 954 \*\* (5) 16MM - 818 x 883

SECTION CC



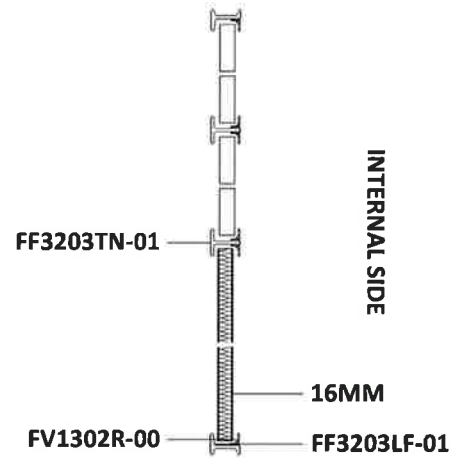
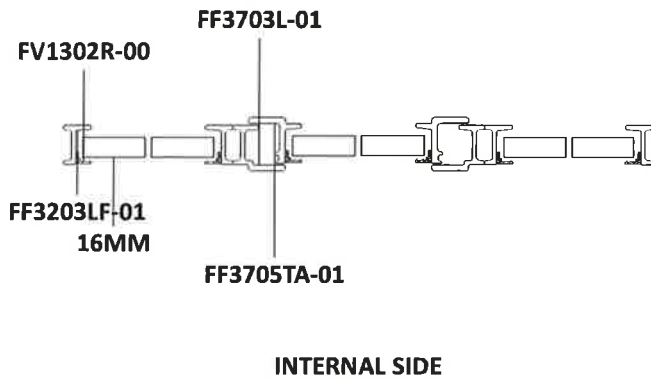


<b>Item:</b>	5	<b>Type:</b>	5	<b>Size:</b>	3300x2235	<b>Area:</b>	7,38 mq
<b>Description:</b>	open out door + fixed						
<b>Pieces</b>	1	<b>Serie:</b>	#W20 / #OS_COM				
<b>Treatment:</b>	,,						
<b>Fitting:</b>	#OTTOSTUMM						
<b>Variables:</b>	HND=0 LCK=0 HNG=0						

(1) 16MM - 1121 x 279 \*\* (2) 16MM - 1119 x 948 \*\* (3) 16MM - 905 x 260 \*\* (4) 16MM - 903 x 932

SECTION AA

SECTION BB

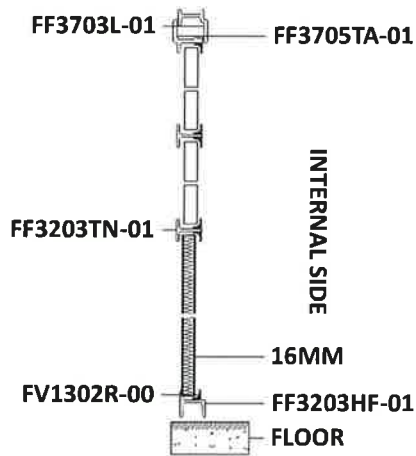


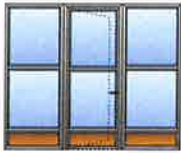


**Item:** 5      **Type:** 5      **Size:** 3300x2235      **Area:** 7,38 mq  
**Description:** open out door + fixed  
**Pieces:** 1      **Serie:** #W20 / #OS\_COM  
**Treatment:** ,,  
**Fitting:** #OTTOSTUMM  
**Variables:** HND=0 LCK=0 HNG=0

(1) 16MM - 1121 x 279 \*\* (2) 16MM - 1119 x 948 \*\* (3) 16MM - 905 x 260 \*\* (4) 16MM - 903 x 932

SECTION CC



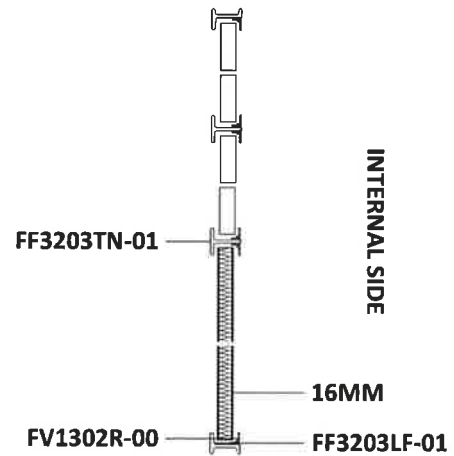
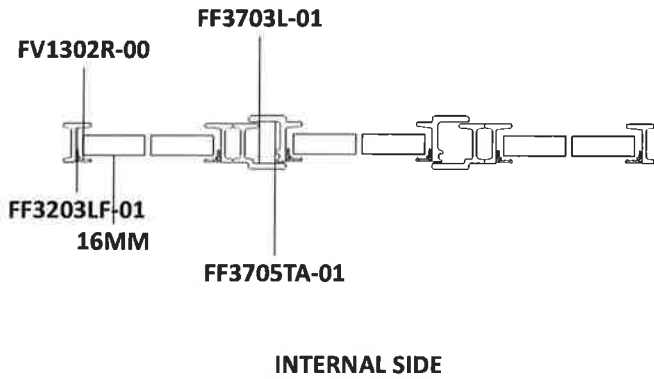


**Item:** 6      **Type:** 6      **Size:** 2705x2235      **Area:** 6,05 mq  
**Description:** open out door + fixed  
**Pieces:** 1      **Serie:** #W20 / #OS\_COM  
**Treatment:** ,,  
**Fitting:** #OTTOSTUMM  
**Variables:** HND=0 LCK=0 HNG=0

(1) 16MM - 871 x 279 \*\* (2) 16MM - 869 x 948 \*\* (3) 16MM - 810 x 260 \*\* (4) 16MM - 808 x 932

SECTION AA

SECTION BB



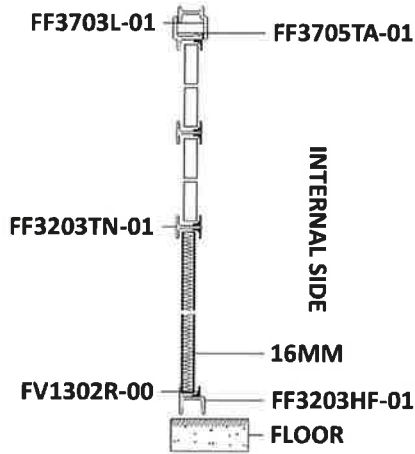




**Item:** 6      **Type:** 6      **Size:** 2705x2235      **Area:** 6,05 mq  
**Description:** open out door + fixed  
**Pieces:** 1      **Serie:** #W20 / #OS\_COM  
**Treatment:** ,,  
**Fitting:** #OTTOSTUMM  
**Variables:** HND=0 LCK=0 HNG=0

(1) 16MM - 871 x 279 \*\* (2) 16MM - 869 x 948 \*\* (3) 16MM - 810 x 260 \*\* (4) 16MM - 808 x 932

SECTION CC



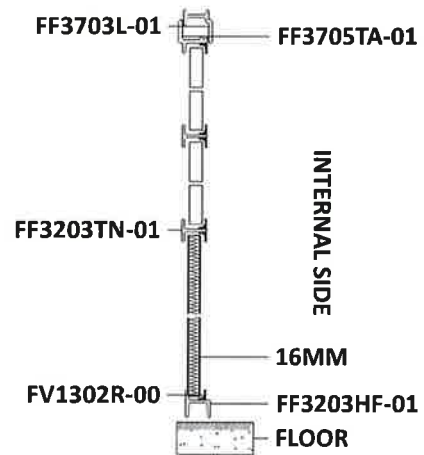
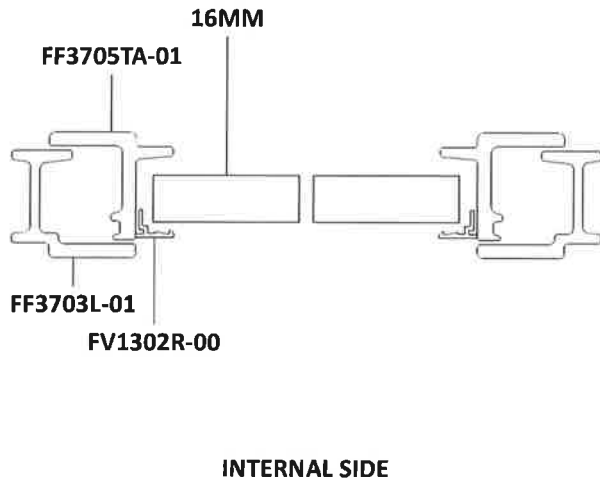


**Item:** 7      **Type:** 7      **Size:** 1050x2235      **Area:** 2,35 mq  
**Description:** open out door  
**Pieces:** 1      **Serie:** #W20 / #OS\_COM  
**Treatment:** ,,  
**Fitting:** #OTTOSTUMM  
**Variables:** HND=0 HNG=0 LCK=0

(1) 16MM - 955 x 260 \*\* (2) 16MM - 953 x 932

SECTION AA

SECTION BB



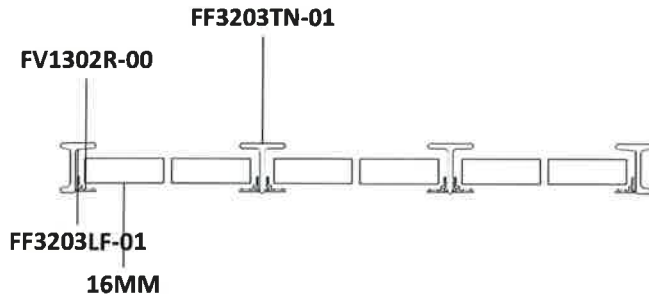


**Item:** 8      **Type:** 8      **Size:** 2690x2235      **Area:** 6,01 mq  
**Description:** fixed  
**Pieces:** 1      **Serie:** #W20 / #OS\_COM  
**Treatment:** , ,  
**Fitting:** #OTTOSTUMM  
**Variables:**

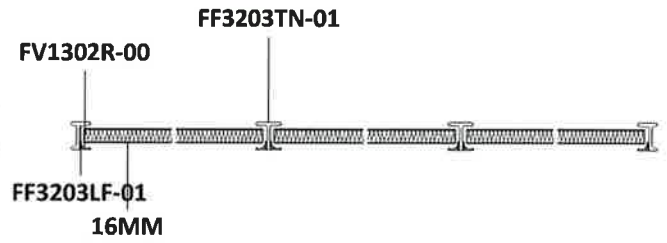
(1) 16MM - 878 x 279 \*\* (2) 16MM - 876 x 948

SECTION AA

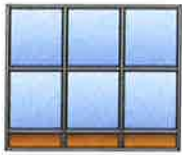
SECTION BB



INTERNAL SIDE



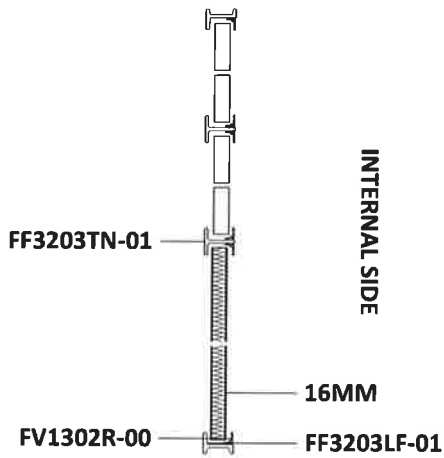
INTERNAL SIDE



**Item:** 8      **Type:** 8      **Size:** 2690x2235      **Area:** 6,01 mq  
**Description:** fixed  
**Pieces:** 1      **Serie:** #W20 / #OS\_COM  
**Treatment:** , ,  
**Fitting:** #OTTOSTUMM  
**Variables:**

(1) 16MM - 878 x 279 \*\* (2) 16MM - 876 x 948

SECTION CC



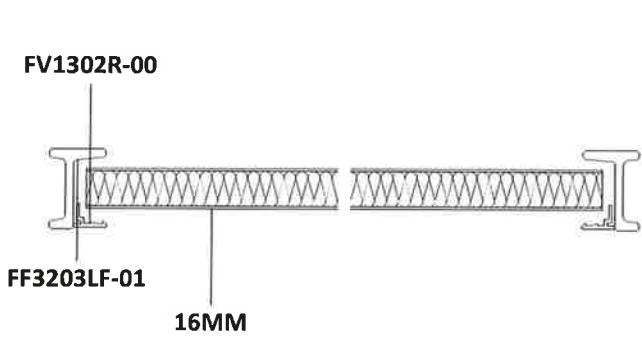


**Item:** 9      **Type:** 9      **Size:** 1050x2235      **Area:** 2,35 mq  
**Description:** top hung + fixed  
**Pieces:** 1      **Serie:** #W20 / #OS\_COM  
**Treatment:** , ,  
**Fitting:** #OTTOSTUMM  
**Variables:** HND=0 LCK=0 HNG=0

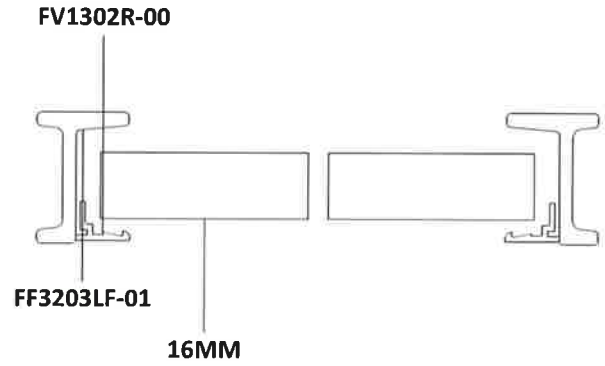
(1) 16MM - 1021 x 279 \*\* (2) 16MM - 1019 x 954 \*\* (3) 16MM - 953 x 883

SECTION AA

SECTION BB



INTERNAL SIDE



INTERNAL SIDE

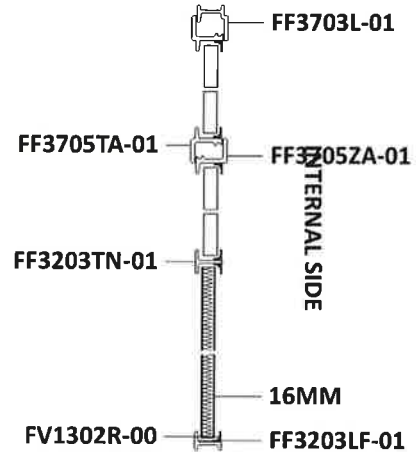
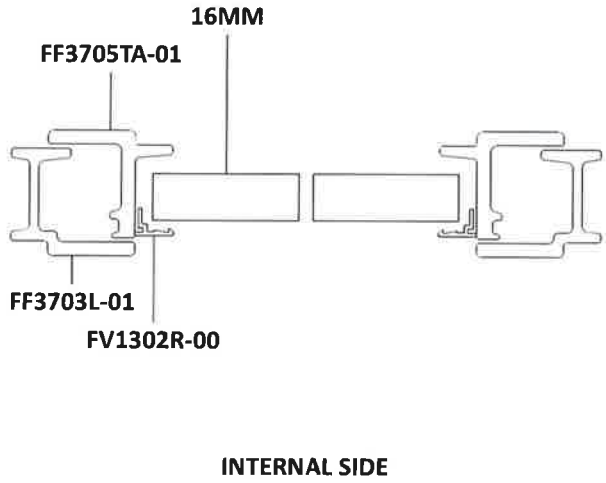


**Item:** 9      **Type:** 9      **Size:** 1050x2235      **Area:** 2,35 mq  
**Description:** top hung + fixed  
**Pieces:** 1      **Serie:** #W20 / #OS\_COM  
**Treatment:** , ,  
**Fitting:** #OTTOSTUMM  
**Variables:** HND=0 LCK=0 HNG=0

(1) 16MM - 1021 x 279 \*\* (2) 16MM - 1019 x 954 \*\* (3) 16MM - 953 x 883

SECTION CC

SECTION DD





**Item:** 10      **Type:** 10      **Size:** 780x830      **Area:** 0,65 mq  
**Description:** Top hung  
**Pieces:** 1      **Serie:** #W20 / #OS\_COM  
**Treatment:** , ,  
**Fitting:** #OTTOSTUMM  
**Variables:** HND=0 HNG=0 LCK=0

(1) 16MM - 683 x 733

SECTION AA

SECTION BB

