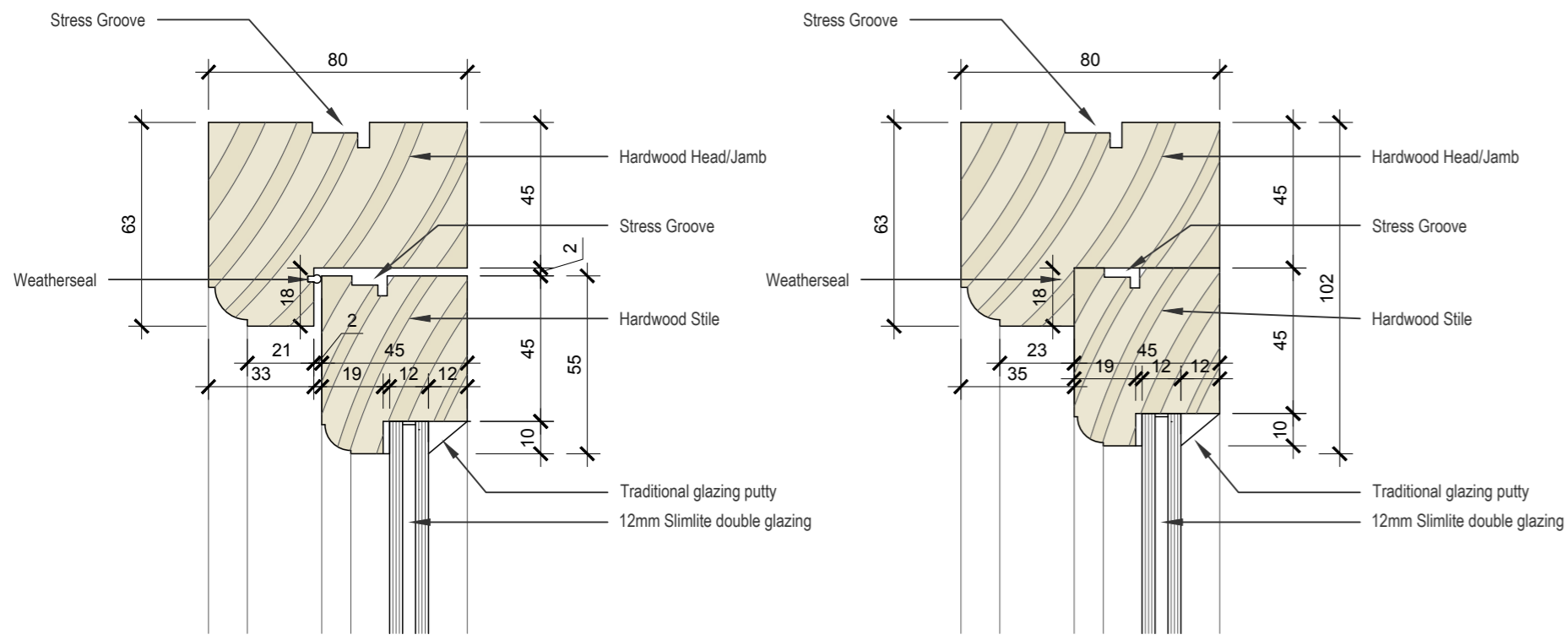


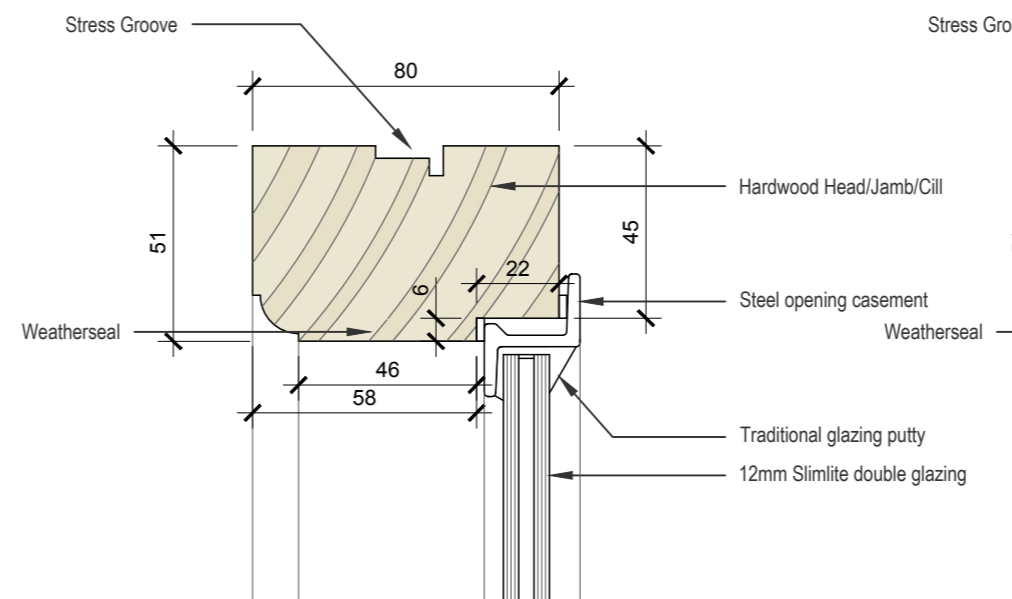
**PLANNING**

Comments:  
N/A

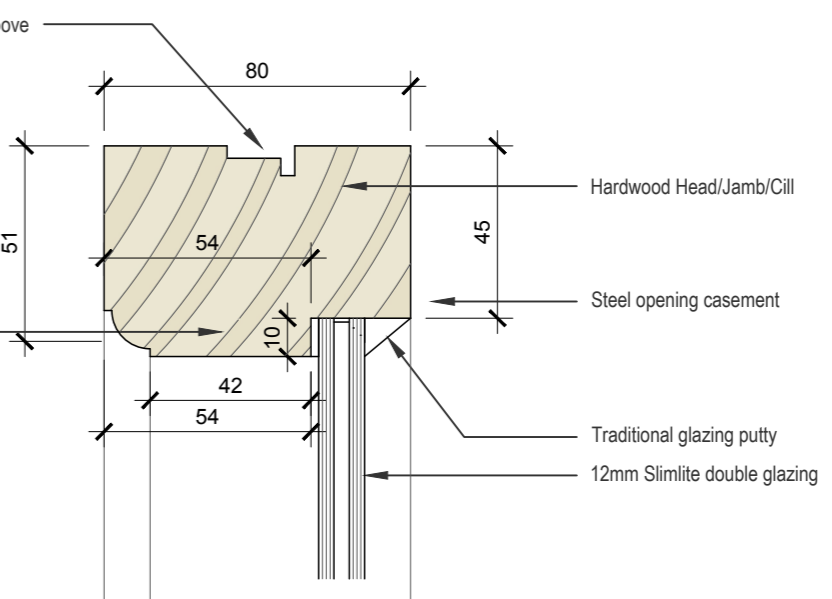


**Timber Window - Head/Jamb (opening)**  
Scale 1:2

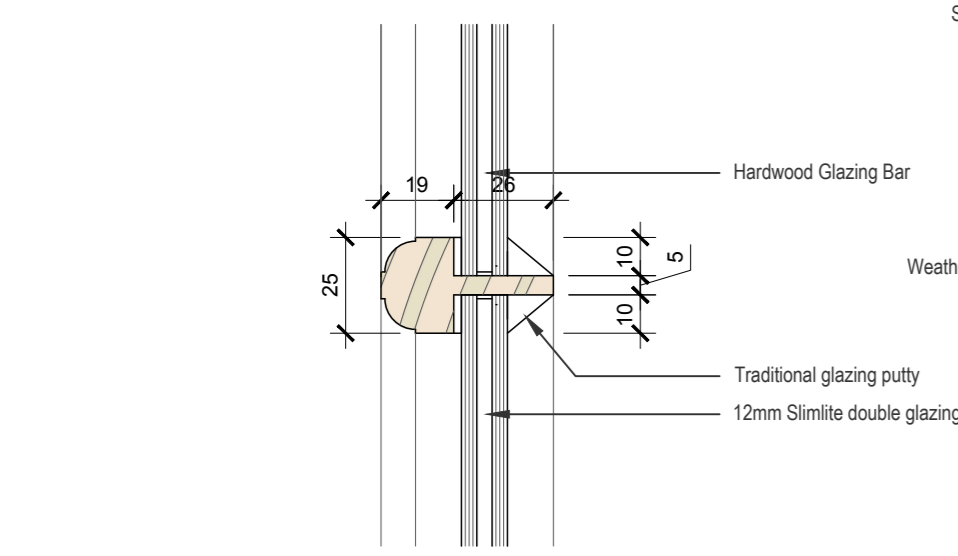
**Timber Window - Head/Jamb (fixed)**  
Scale 1:2



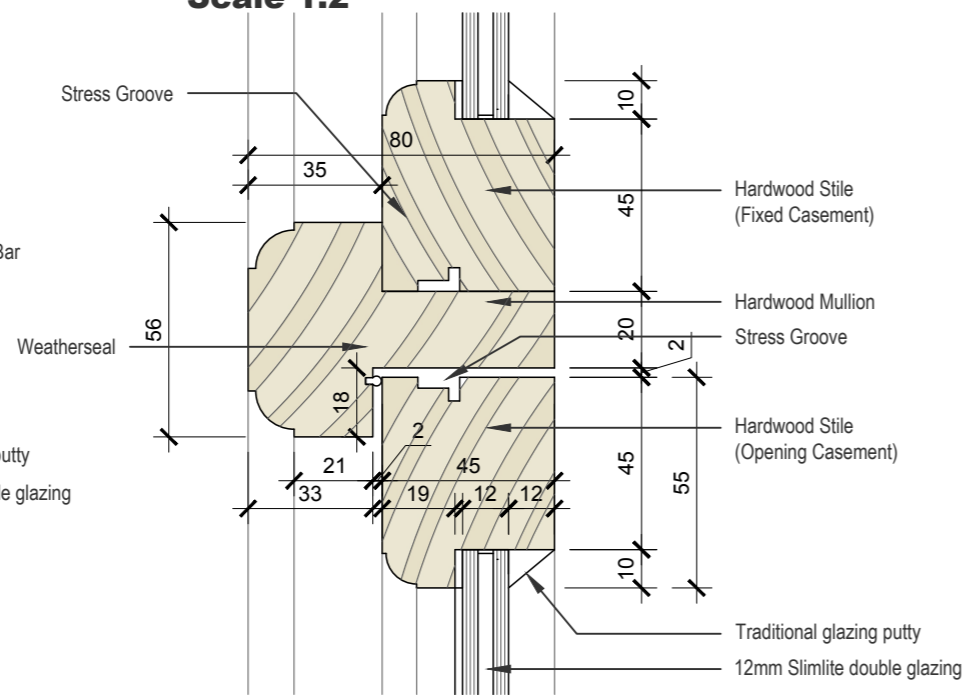
**Metal/Timber Window - Head/Cill/Jamb (opening)**  
Scale 1:2



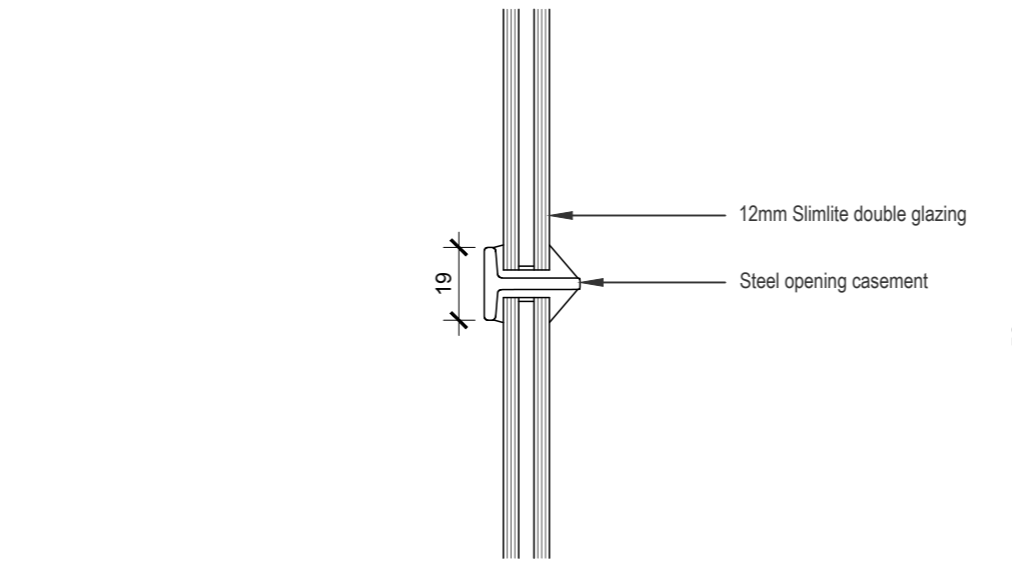
**Metal/Timber Window - Head/Cill/Jamb (fixed)**  
Scale 1:2



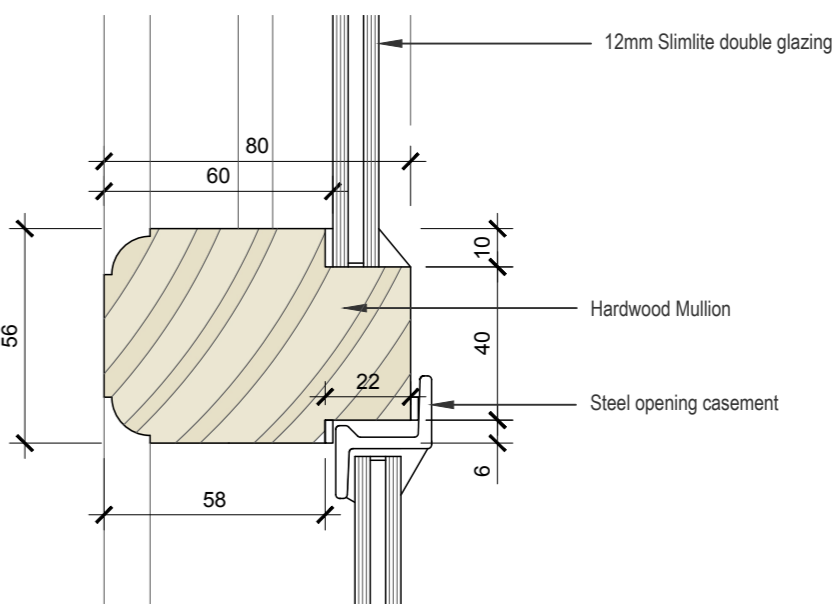
**Timber Window - Glazing Bar**  
Scale 1:2



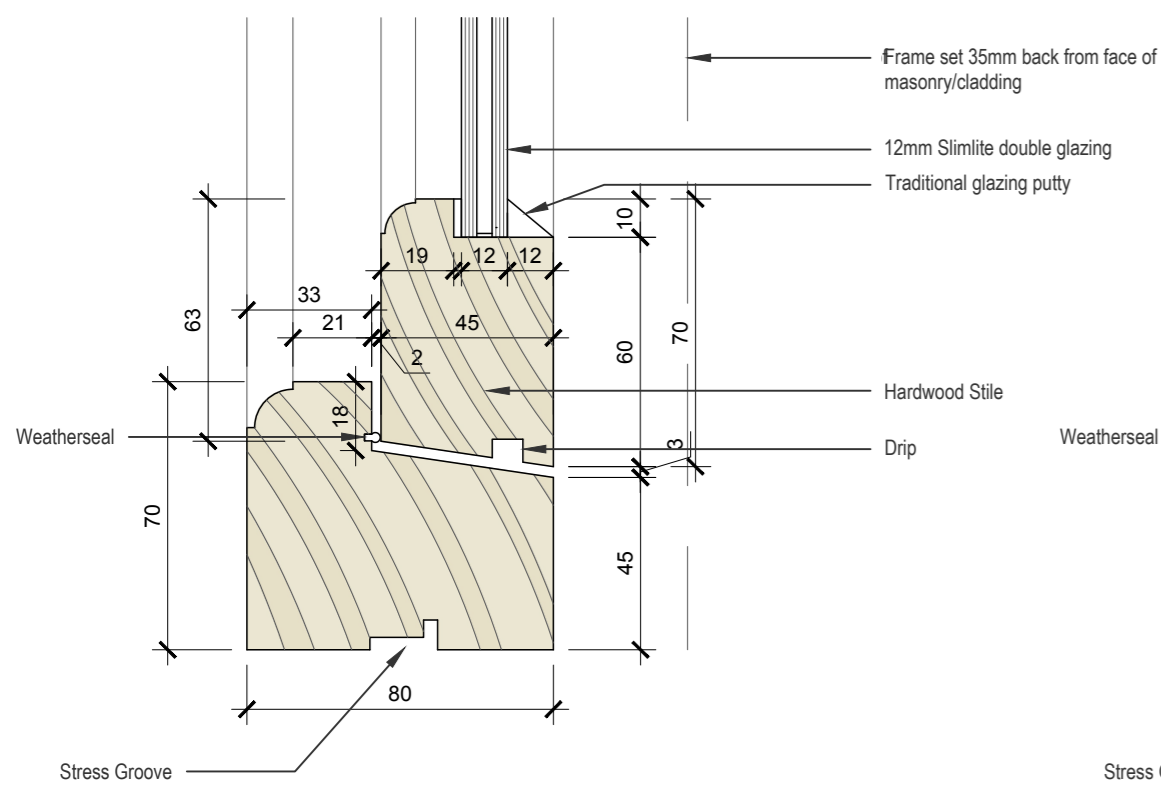
**Timber Window - Mullion (fixed/opening)**  
Scale 1:2



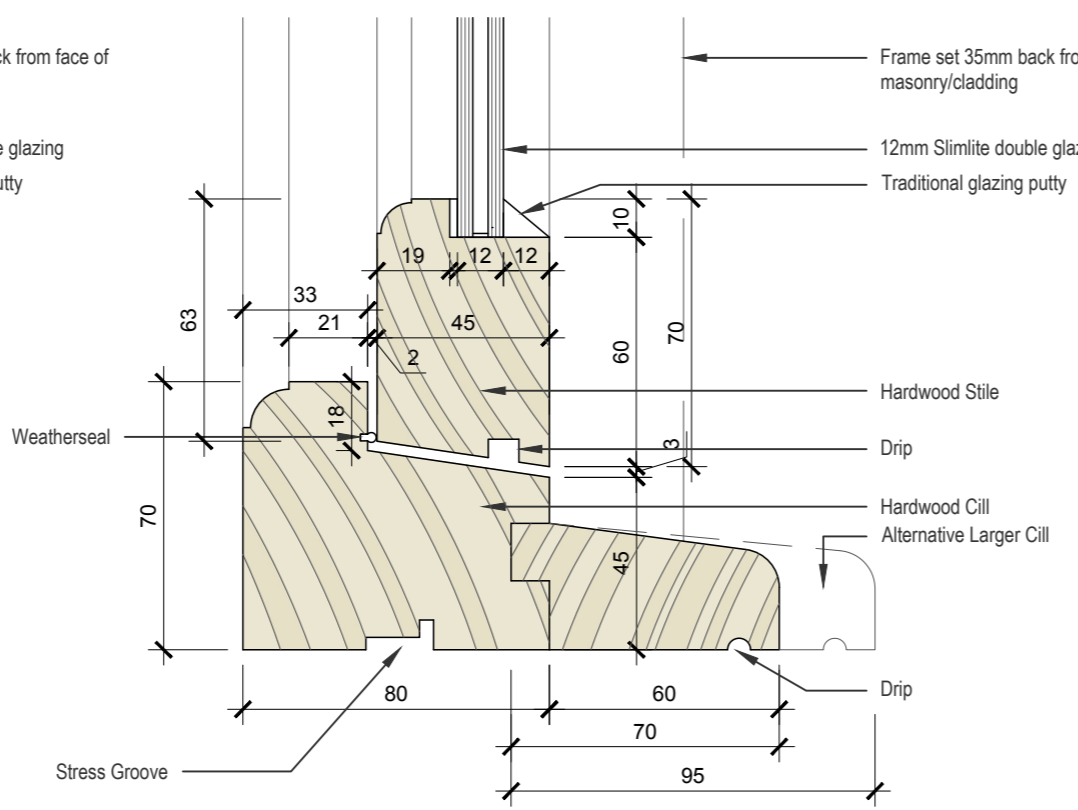
**Metal Window - Glazing Bar**  
Scale 1:2



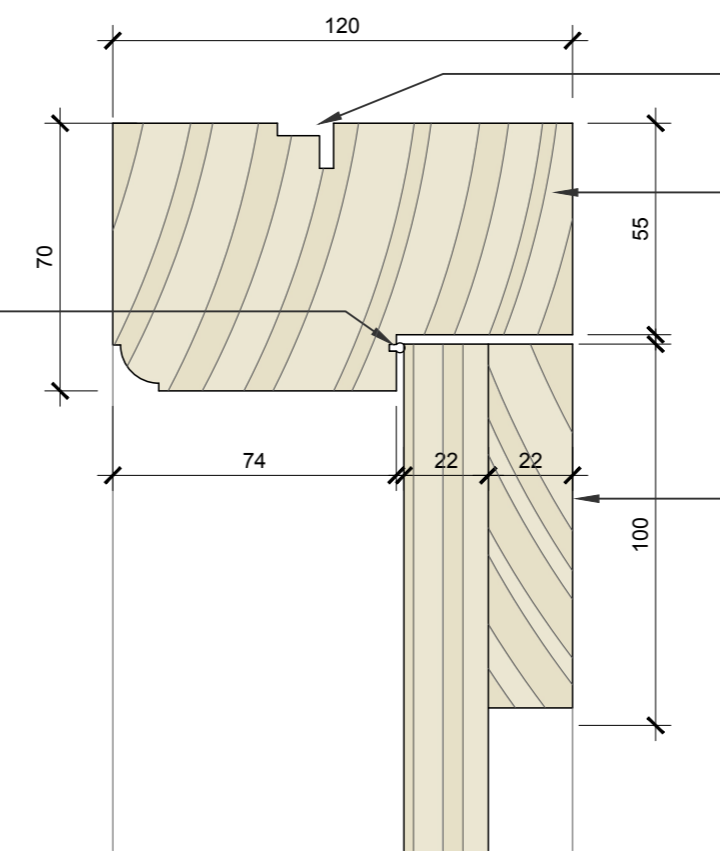
**Metal/Timber Window - Mullion (fixed/opening)**  
Scale 1:2



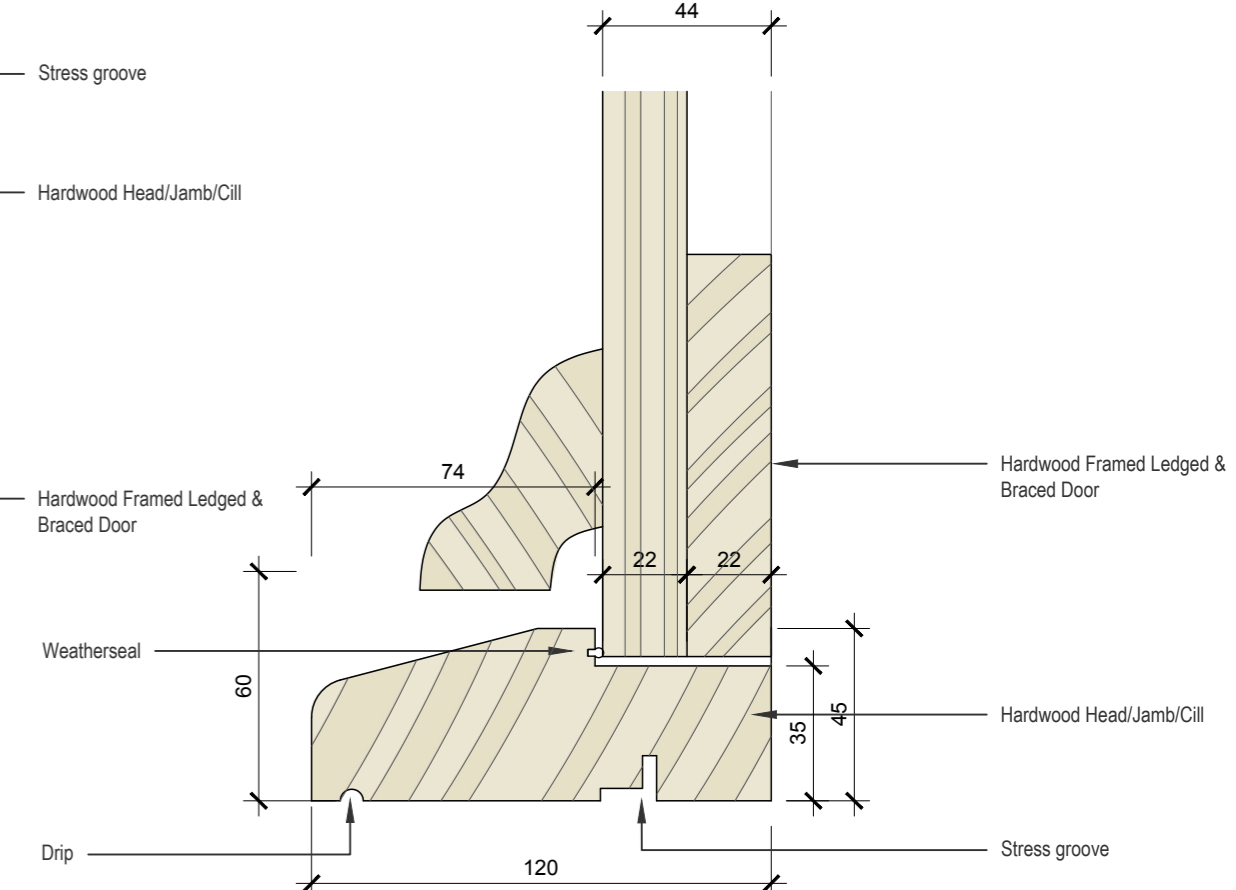
**Timber Window - Cill (no projection)**  
Scale 1:2



**Timber Window - Cill**  
Scale 1:2




**Door - Head/Jamb (inward opening)**  
Scale 1:2




**Door - Cill (inward opening)**  
Scale 1:2

Job No. <b>1341-02</b>	1-3 Sudborough Rd, Slipton NN14 3AQ	
Drawing No. <b>09</b>	<b>Joinery Details</b>	
Revision -	Ross Thain Architects Stamford, PE9 2EF 01780 482483 www.rossthain.co.uk	
Scale <b>1:2 @A2</b>	Issue Date: 04.03.2020	Drawn: NF





Drawing to be scaled for planning purposes only. All dimensions to be verified on site. All drawings are the copyright of Ross Thain & Co. Ltd.